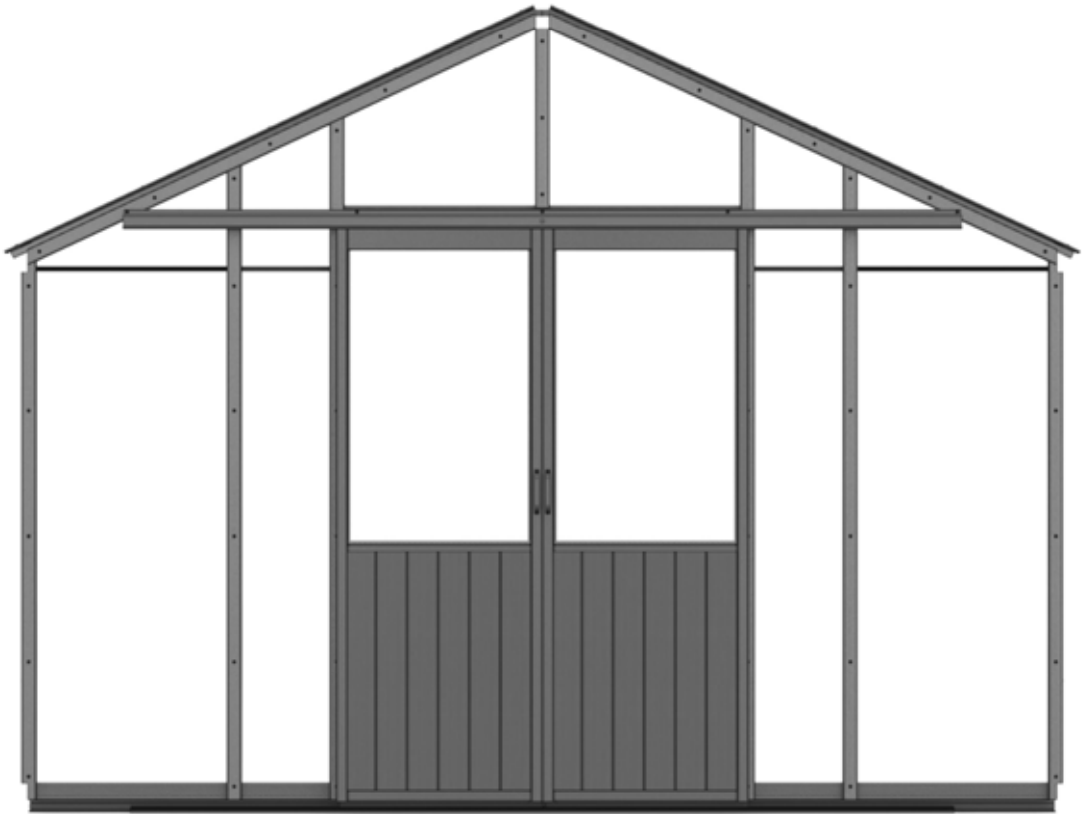




# Partition Instruction Manual



TIP: Complete, hang doors and glaze the partition before glazing the main greenhouse



*10' Wide Evolution Cedar Partition  
Assembly Instructions*

<b>Contents:</b>	<b>Section</b>	<b>Page</b>
Introduction	-	3
Base Preparation	1	4
Side Assembly	2	5-6
Glazing	3	7
Door Installation	4	8-9
Frame Finishing	5	10-14

# *Introduction*

**Thank you for purchasing your new Alton greenhouse partition. We recommend you familiarise yourself with the instructions and read all safety information before you commence assembly. This instruction manual is also available online at [www.greenhousepeople.co.uk](http://www.greenhousepeople.co.uk) in the technical help section should you need to reprint it. Should you require any additional advice you can always call us on 01782 385409.**

## **Safety Warning**

- Glass, aluminium and timber can potentially cause injury. Please ensure you wear protective goggles, gloves, headgear and suitable footwear when assembling and glazing the building.
- Please remember that glass is fragile and should be handled with extreme care. Always clear up and dispose of any breakages immediately.
- Do not assemble the greenhouse in high winds.
- For safety reasons and ease of assembly, we recommend that this greenhouse is assembled by a minimum of two people.
- Please clear all lying snow from the greenhouse roof as it can cause the roof to buckle or collapse.

## **Site Preparation**

- When selecting a site for your greenhouse, it is vital that you choose as flat and level an area as possible.
- A concrete or slabbed base will provide the most solid foundation for your greenhouse. A slabbed base would be our preferred choice as this helps with drainage.
- Avoid placing your greenhouse under trees or in other vulnerable locations.
- To minimise the risk of wind damage, try to select as sheltered a site as possible, e.g. beside a hedgerow or garden fence.

## **Additional Considerations**

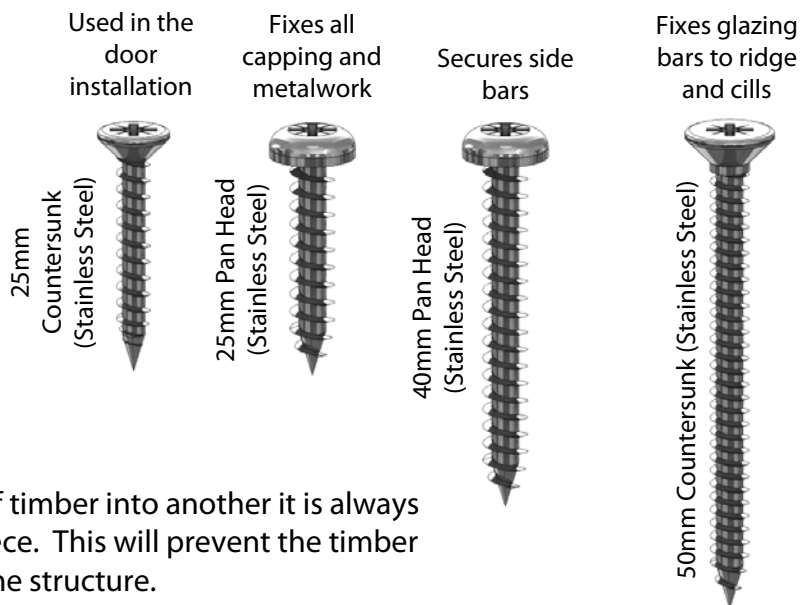
- Please bear in mind that assembling your greenhouse can be time consuming. You may need to spread the construction over two or more days. We recommend that you avoid leaving the building partially glazed. If you ever have to leave your greenhouse half assembled and not anchored down, weigh it down with slabs or bags of sand to stop the wind moving it.
- You will find it helpful to prepare a large, clean and clear area in which to work in. A garage floor or flat lawn area is ideal.
- If you have arranged for someone to install your greenhouse for you, please check that all components are included. Most parts are numbered and can be identified by a stamp or removable label. Alternatively, the components can be identified by lengths detailed in the packing list in your main cardboard box.
- Once installed your greenhouse requires little maintenance, but to maintain the smooth running of your door(s) WD40 or similar can be applied to the door wheels and lower door guides.
- Remember this is a natural un-treated product, the wood will soak up some water to start with and some staining may occur. This will settle down over time and the greenhouse will really blend with its surroundings. If you want to avoid this and give your greenhouse a more permanent finish you could apply an oil or spirit based product (it would be best to do this before glazing!).

# Overview

To fit your new partition to your greenhouse you will need the following tools:

- |                     |   |
|---------------------|---|
| Spirit Level        | Pencil  |
| PZ2 Screwdriver Bit | Cordless Screwdriver ( 2 would be ideal, 1 to drill and 1 to screw) |
| 4mm Drill Bit       | 7mm Masonry Bit   |
| Hammer Drill        | Hammer  |
| Step ladders        |   |

There are 4 different types of screws used in the installation of the partition. These are as follows, with examples of where to look out for them:



If you are going to treat the greenhouse yourself then it would be best to do it before you begin building the frame.

When screwing through one piece of timber into another it is always recommended to predrill the first piece. This will prevent the timber from splitting which could weaken the structure.

Glazing the structure is very simple but be very careful of the edges of the glass as the pane will break into tiny peaces if you catch an edge on a hard surface such as concrete. You should also wear suitable gloves when handling the glass (this also helps to keep it clean). It is good practice to pre-load the bar capping with screws and position this around the greenhouse ready for you when you arrive with the glass.

Take time over fitting the door track and bottom runner as this will be most noticeable if you don't get it right. This is the one part of the building you will touch and use regularly.

The partition can be added while constructing the roof. If you have a partition and an extension remember the partition can **not** be positioned at the join of your main building and the extension.

Option of gluing joints. This is not required for strength but you may do it if you wish. However bare in mind if you ever intend to move or adapt the greenhouse in the future this would make it very difficult. The best glue for this would be Poly Urethane Wood Adhesive. Take care when applying this, you only need a very small amount as the glue expands to fill the joint. If you use too much it may seep out of the joint and could be unsightly! Try a test piece before you start.

Read through the rest of this manual before starting, you are less likely to miss something doing this and you will have a better understanding of how it all works.

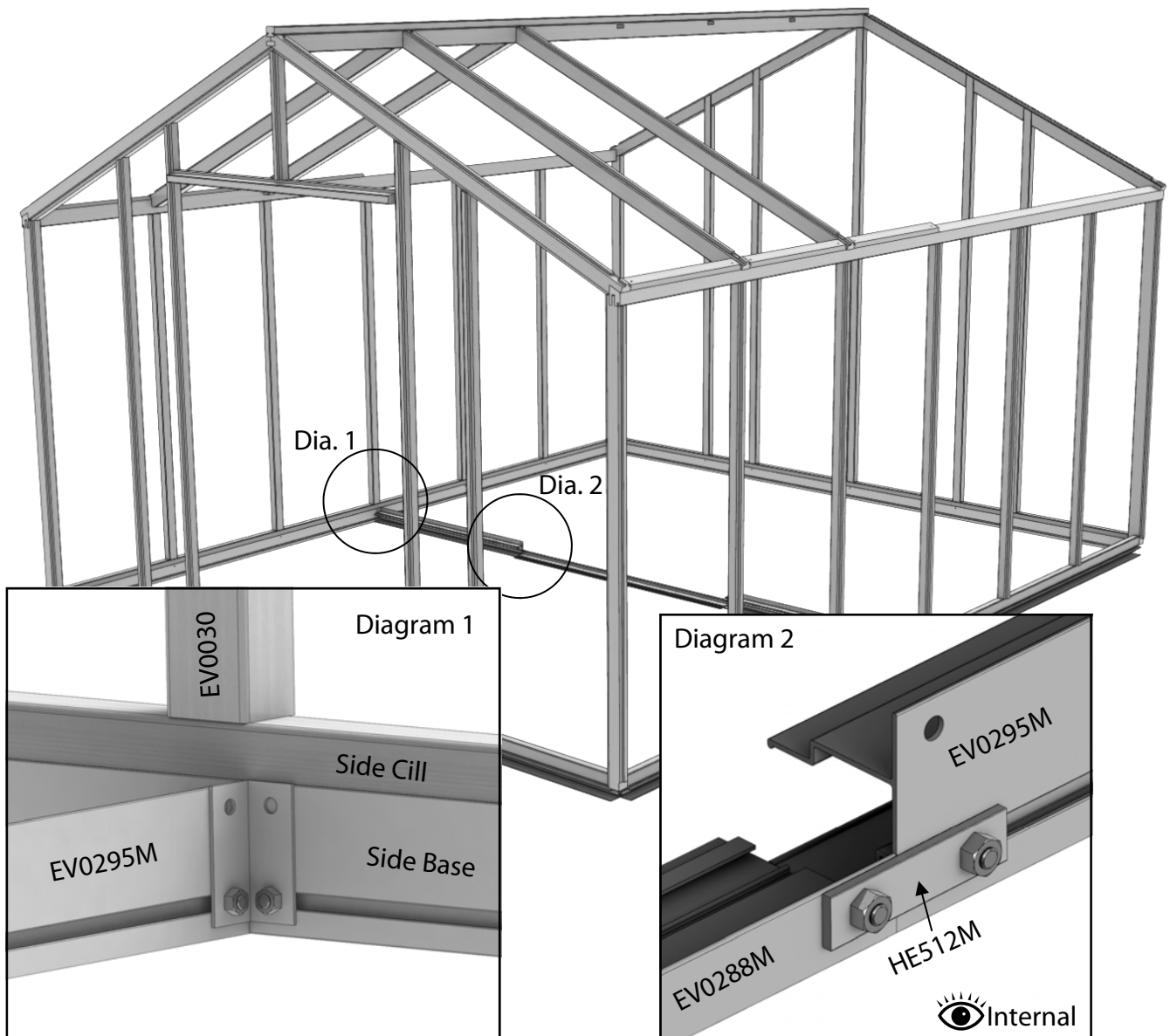
# Base Assembly

Once you have started installing the roof bars to your building and you get to the point at which you want to position your partition you can install the aluminium base section.

Line the 2 base sections up with the side glazing bars as shown below. Fit a base bracket to the end that intersects the side base. Use a crop head bolt to fit the bracket to the side base and a normal bolt to the partition base section. Just fit these loosely for now as you will want to adjust this later.

10ft wide			
Part Name	Part Number	Size (mm)	Qty
Base	EV0295M	968	2
Door Cill	EV0288M	1216	1
Joining Bracket	EV0311M	-	2
Base Bracket	HE300M	-	4
Plate	HE512M	-	2

Now install the door cill between the base sections. Bolt this in place using the two HE512M brackets.

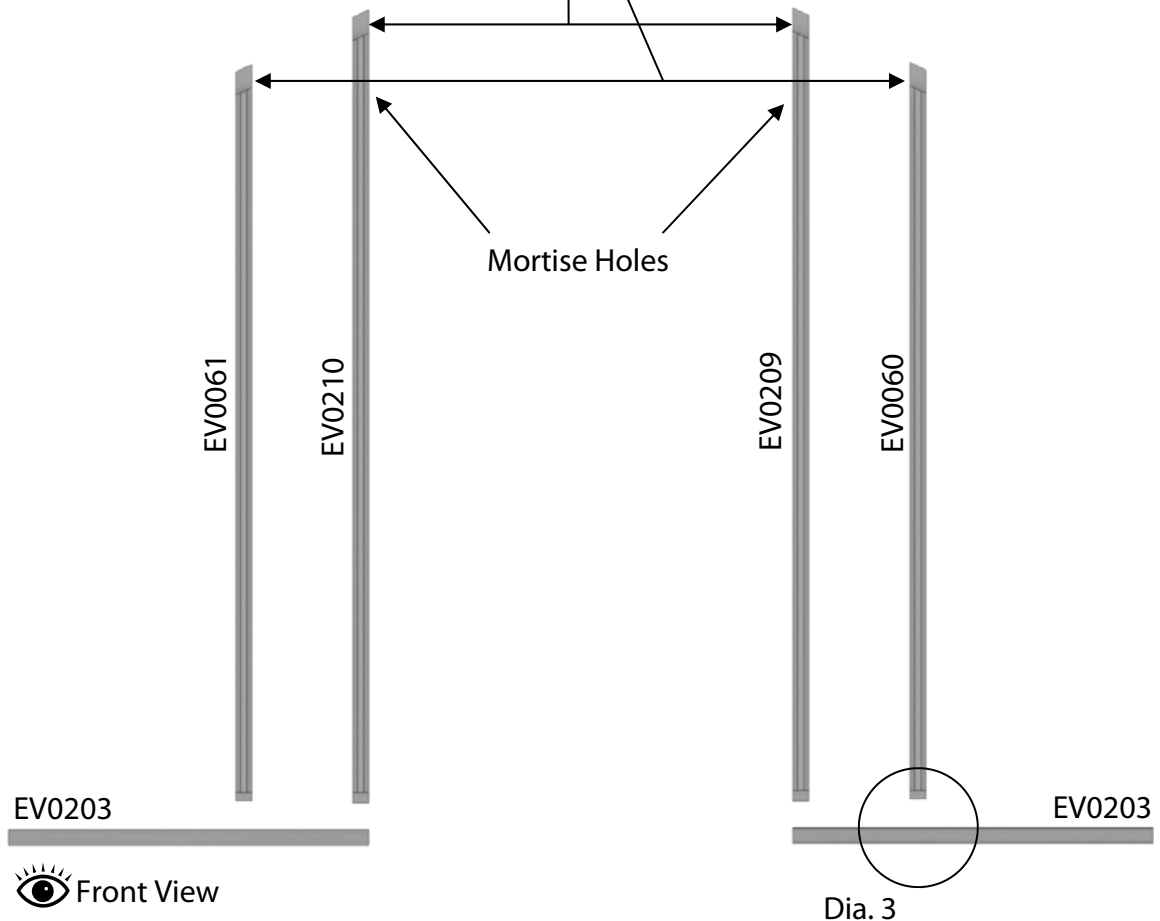
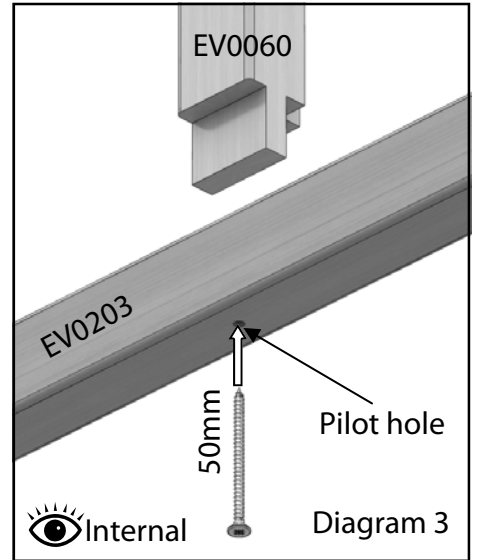
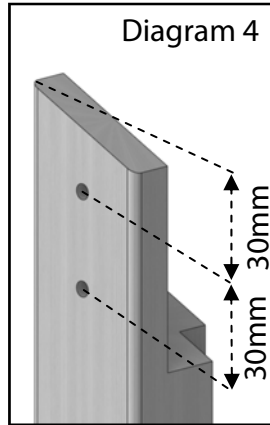


# Partition Frame Assembly

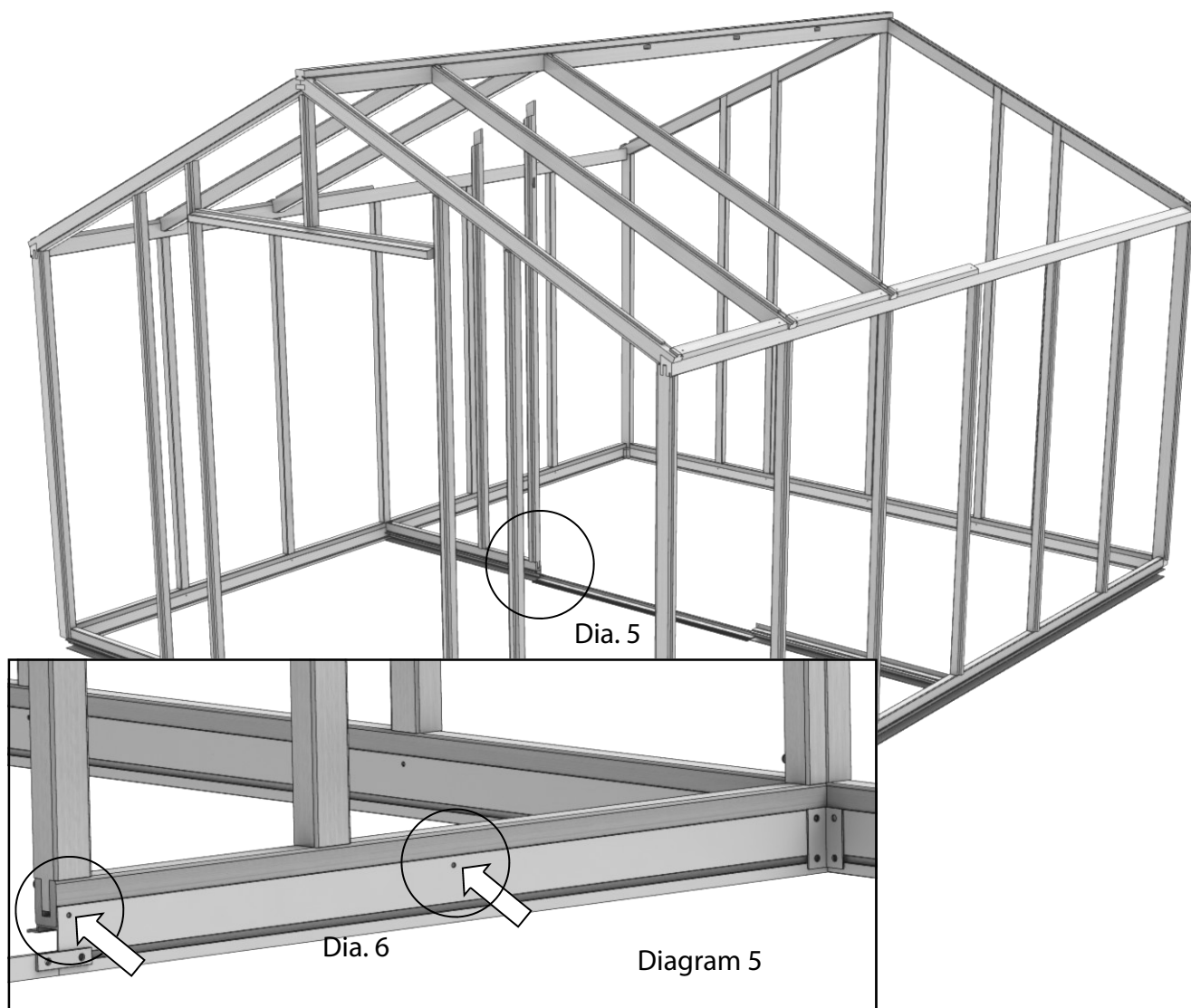
Locate the two partition cills and gable glazing bars. Start by drilling pilot holes in the cill section through the mortise holes (diagram 3). Also drill 2 holes in the top of the gable glazing bars through the lap joint. These should be 25-30mm apart and the first hole should be a similar distance from the very top edge (diagram 4).

Assemble the gable glazing bars with the cills flat on the ground. With the aid of a helper or using a prop position the partition onto the aluminium base.

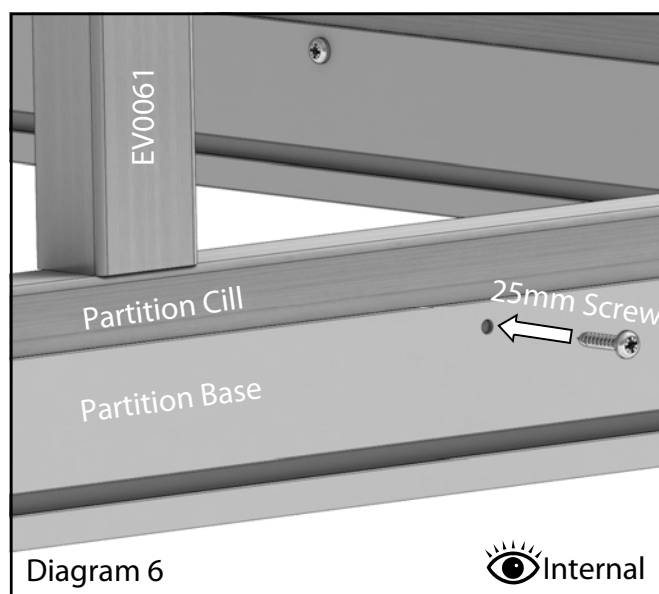
10ft wide			
Part Name	Part Number	Size (mm)	Qty
Gable Bar	EV0060	1994	1
Gable Bar	EV0061	1994	1
Gable Bar	EV0209	2141	1
Gable Bar	EV0210	2141	1
Partition Cill	EV0203	970	2



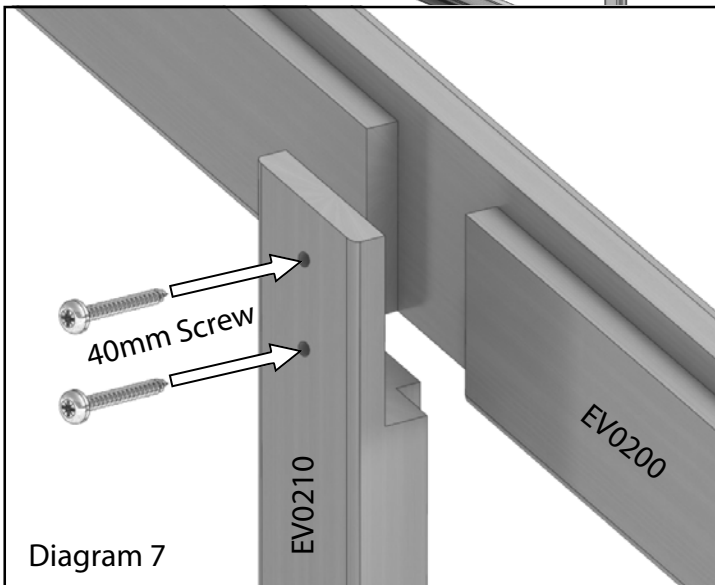
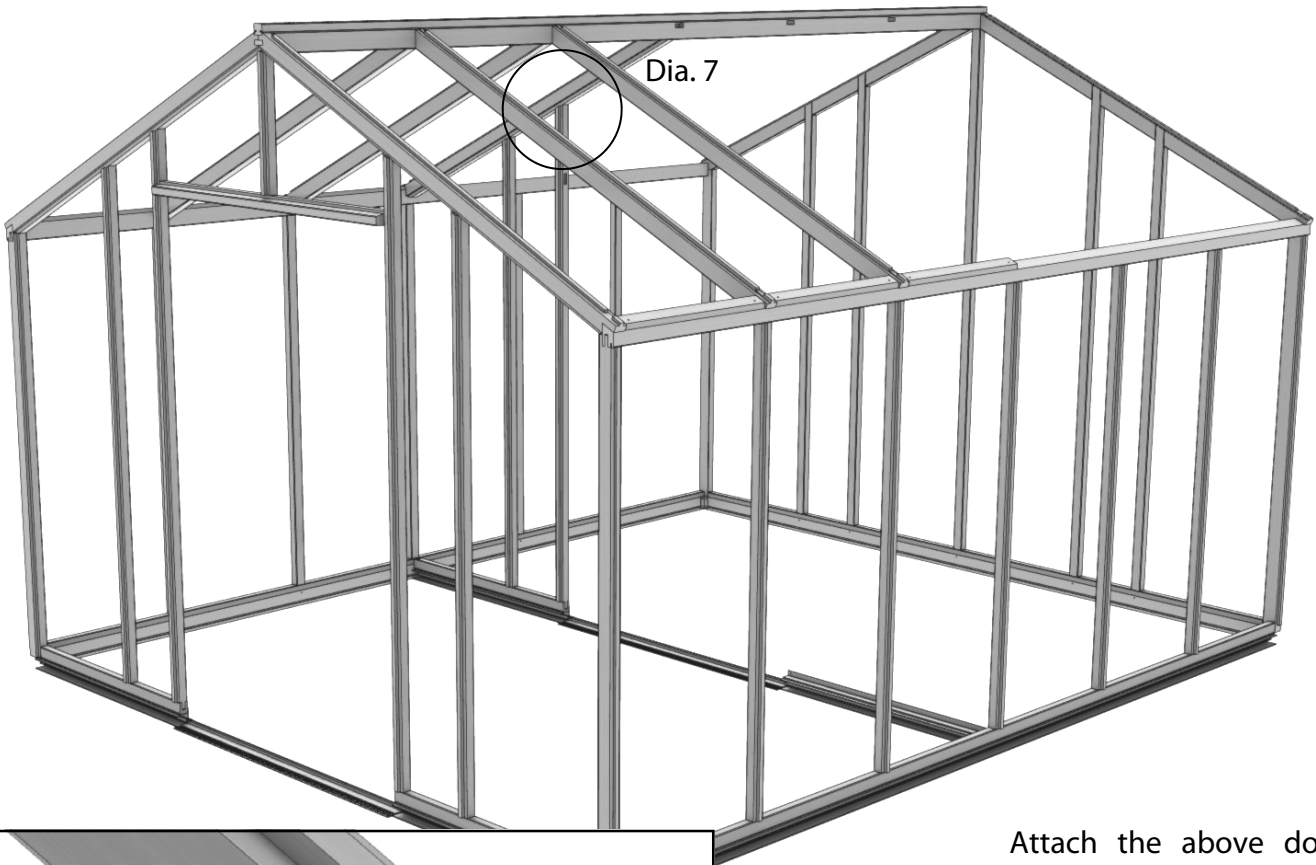
# Partition Frame Assembly



When in position, with the base flush with the end of the cill in the doorway (circled in diagram 5), fix with two 25mm screws at the two points shown in diagram 5. Keep this section supported until you fit the roof bar in the next step.

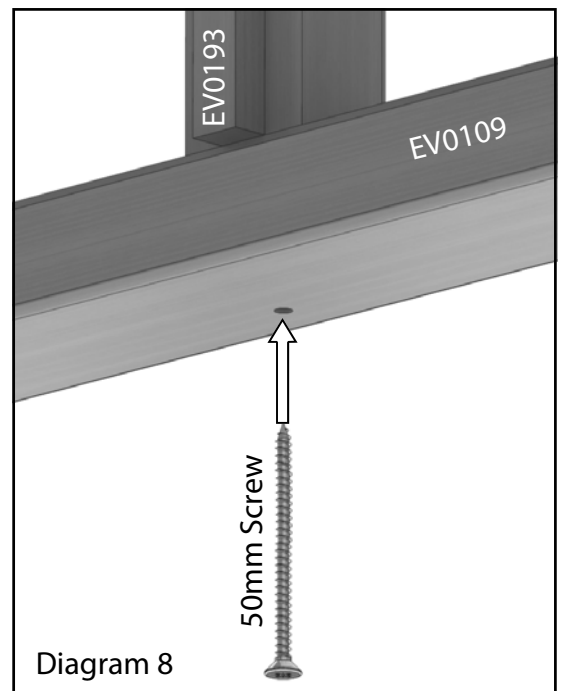


# Partition Frame Assembly



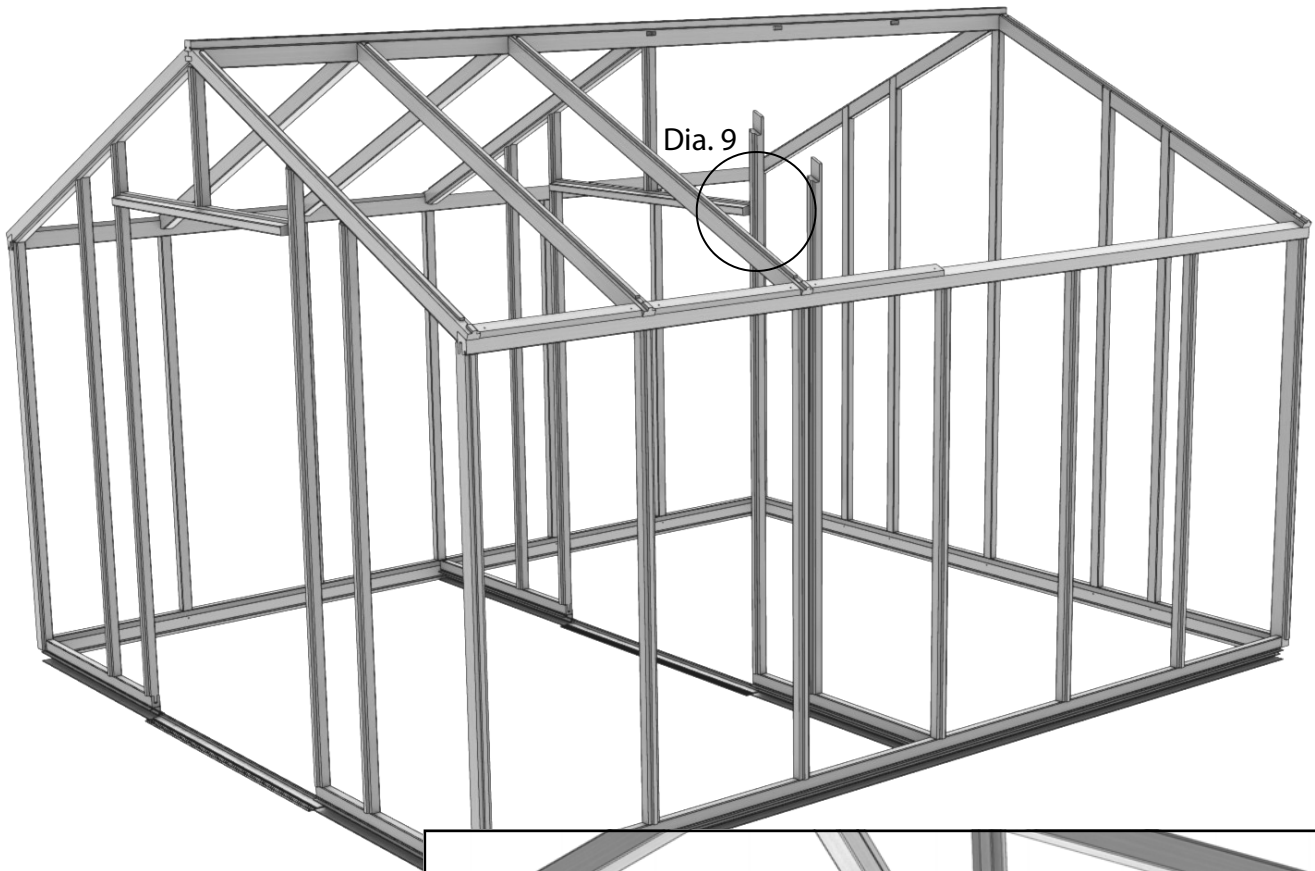
Slot the roof bar into position as you did before with the standard roof bars. Line up the gable bars with the slots in the roof bars and secure with 40mm screws. Don't secure this bar to the ridge or eaves bar at this stage as you will need some adjustment when fitting the partition side bar.

Attach the above door glazing bar to the door header with a 50mm screw to create a sub-assembly to add to the greenhouse in the next step (diagram 8).

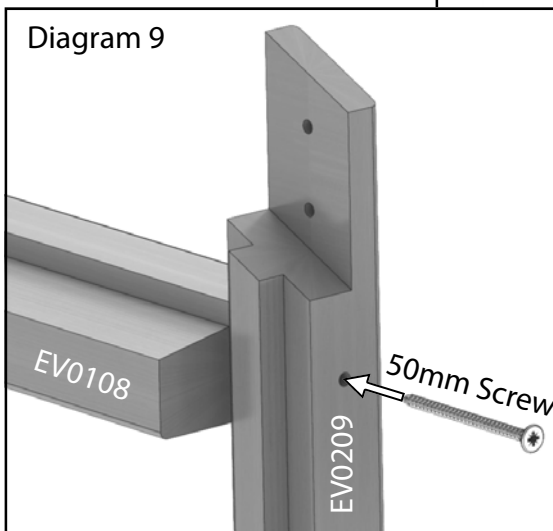
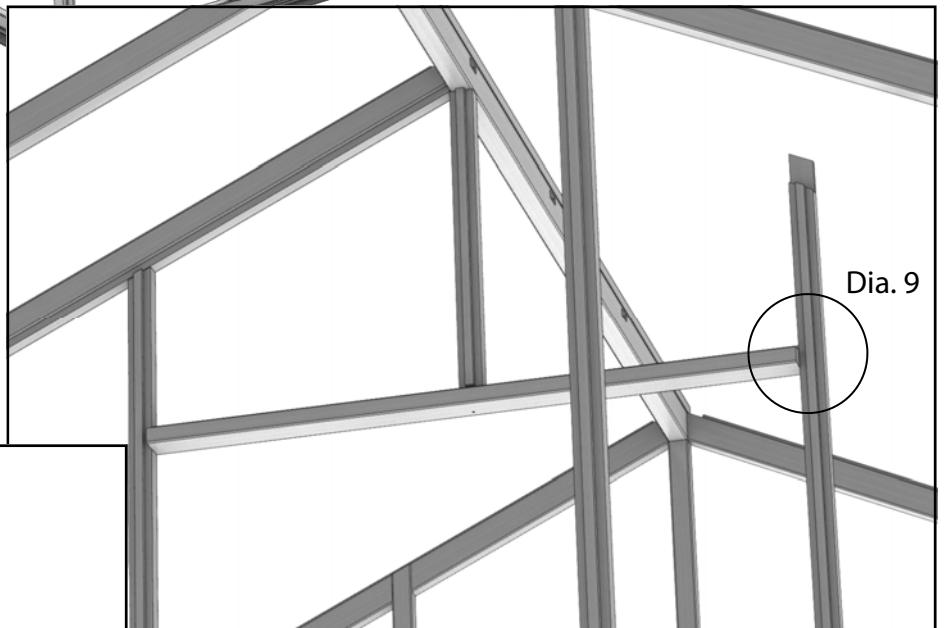




# Partition Frame Assembly

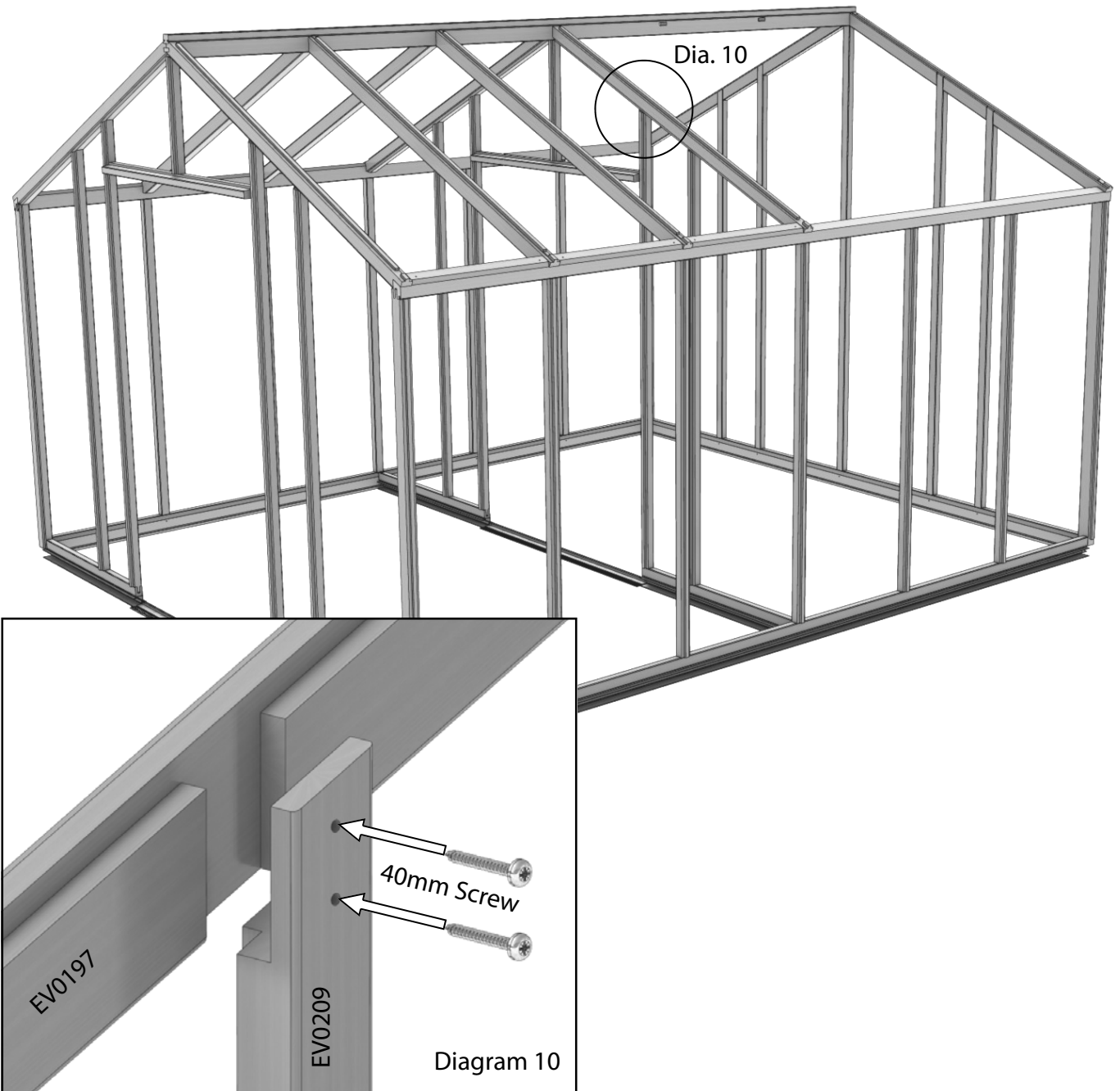


Next fit the opposite side to the aluminium base, again with two 25mm screws. With this section supported insert the door header sub-assembly into the mortise holes in the gable bars (diagram 9).

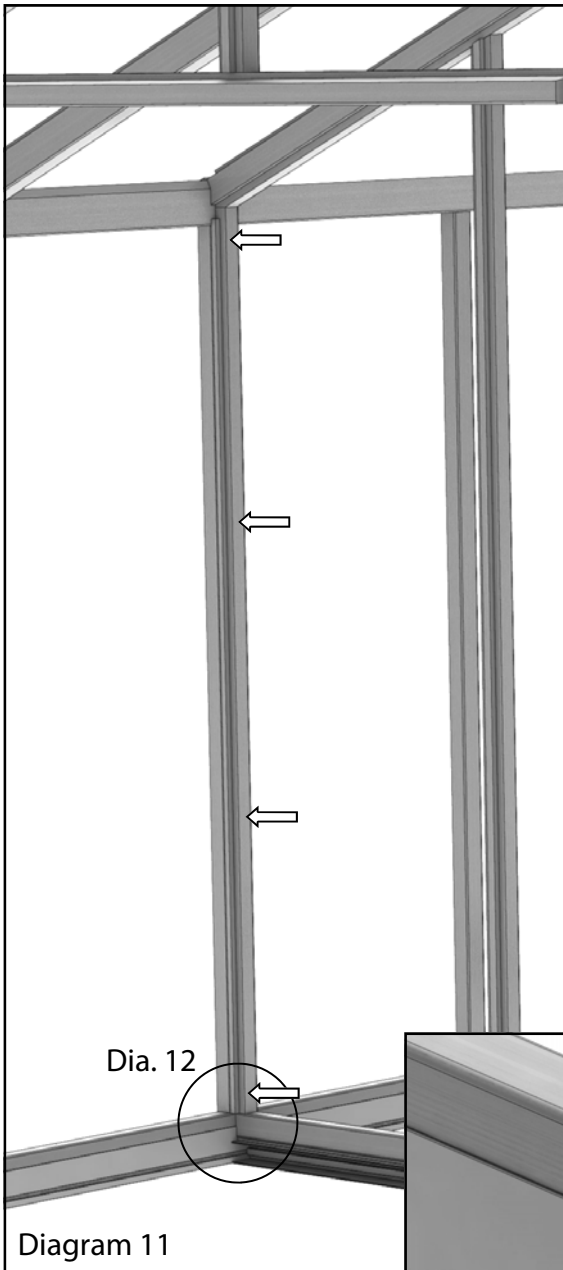


# Partition Frame Assembly

With the door header in place fit the other partition roof bar. Again secure this with 40mm screws to the gable bars at the lap joint.

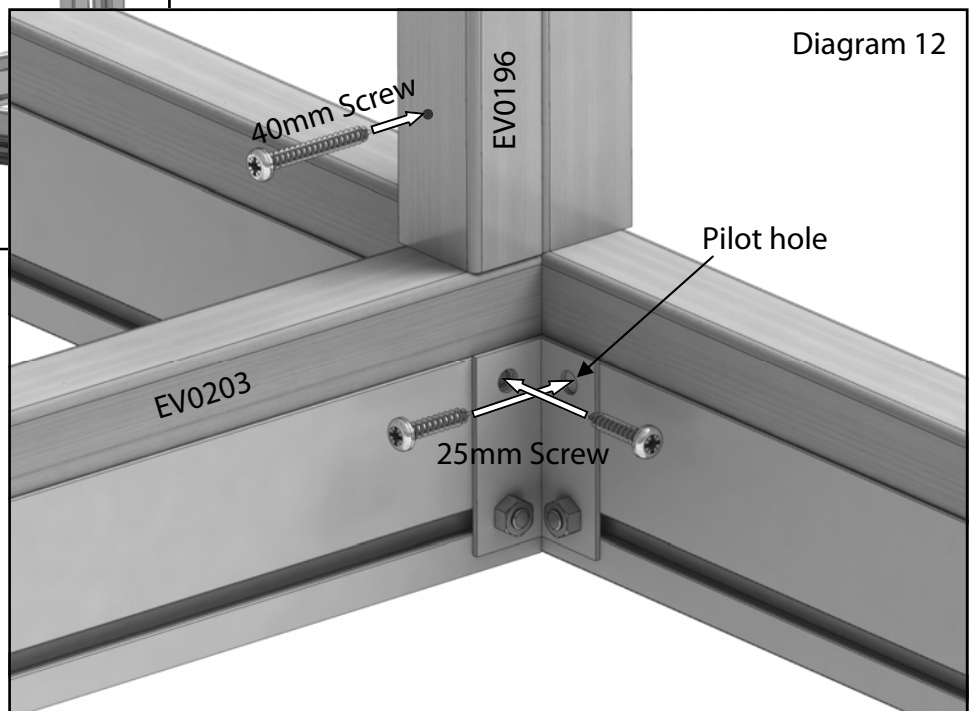


# Partition Frame Assembly

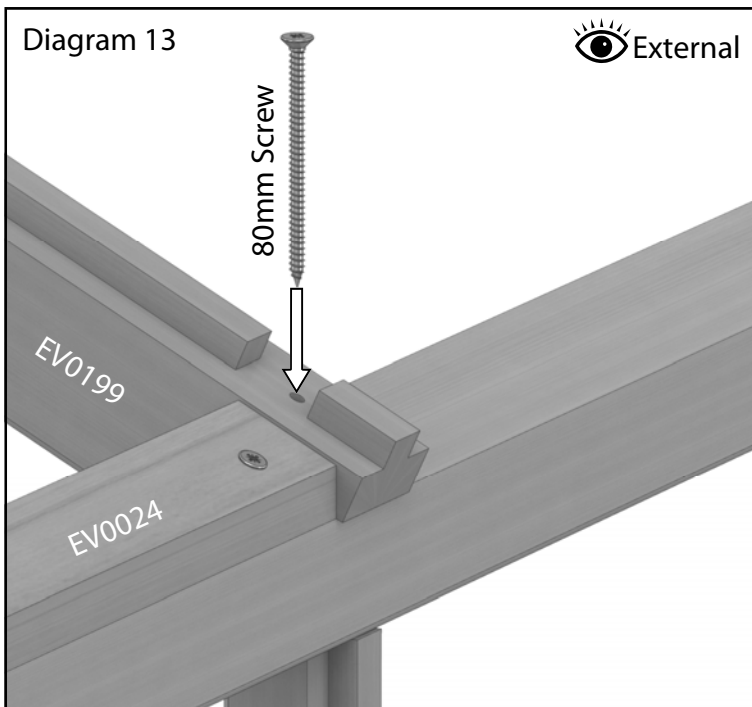


Now install the partition side bars. First you need to drill four pilot holes in the side bars, space these evenly along the bar, shown in diagram 11. Next slot it into position ( you may have to lift the roof bar to do this and also adjust the position of the base joining bracket). Once in position make sure it is running parallel with the side glazing bar and fix with 40mm screws.

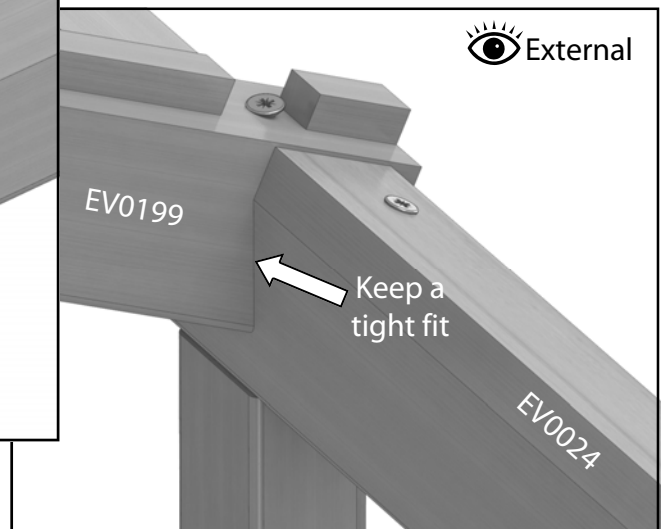
Now you are happy with the position of the partition cill and base fix it with 25mm screws. You will have to drill a pilot hole in the side base first.



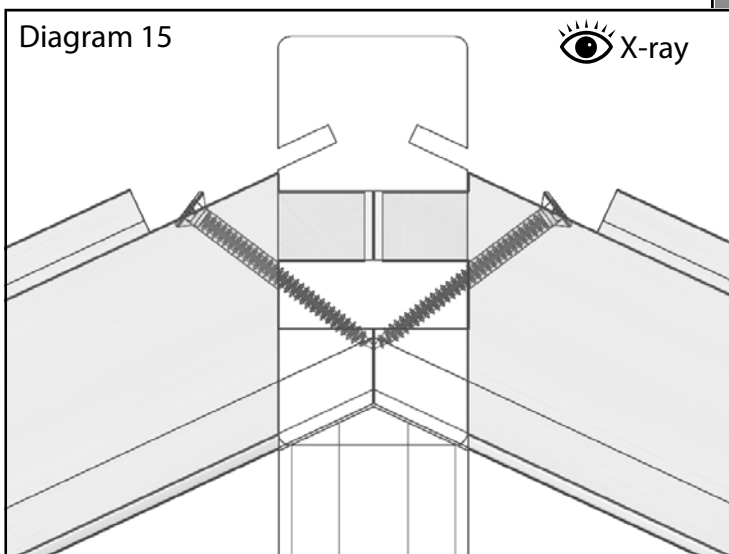
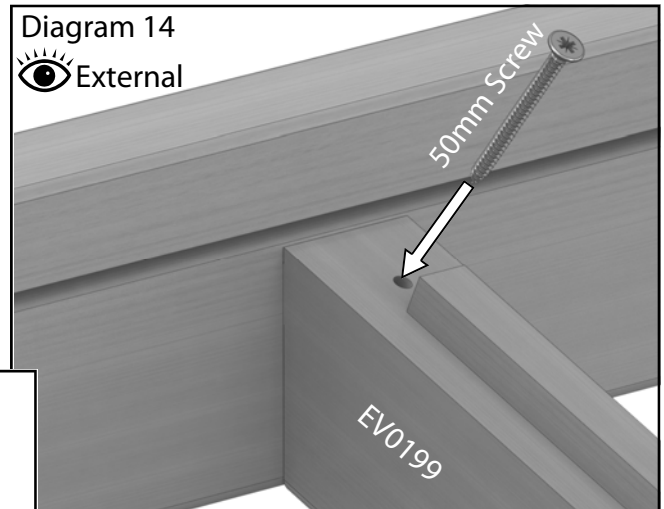
# Partition Frame Assembly



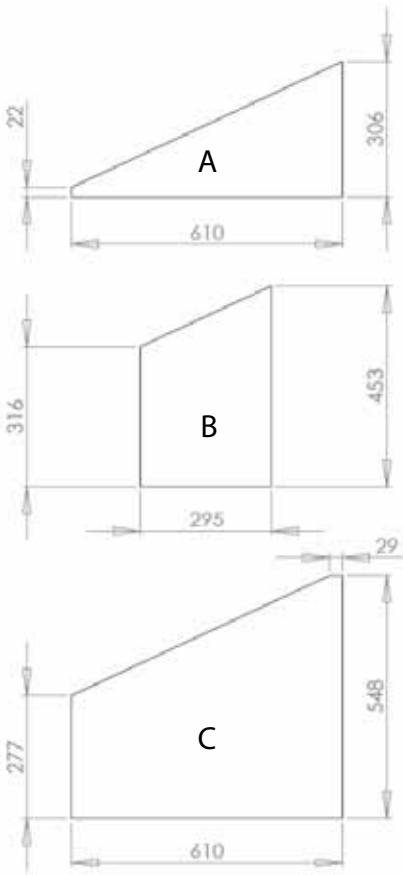
Fix the bottom of the partition roof glazing bars to the eaves bar with 80mm screws. Make sure the inside face of the glazing bar is flush with the eaves bar (shown below).



Once the bottom joint is fixed you can screw the glazing bar to the ridge (diagram 14). Do this with a 50mm screw but make sure the glazing bar is all the way into the joint. Diagram 15 shows an X-ray view of the end of the ridge. This shows the best angle for the screw. Again you want to be careful the end of the screw doesn't come through at any point.



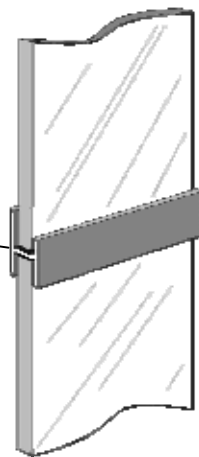
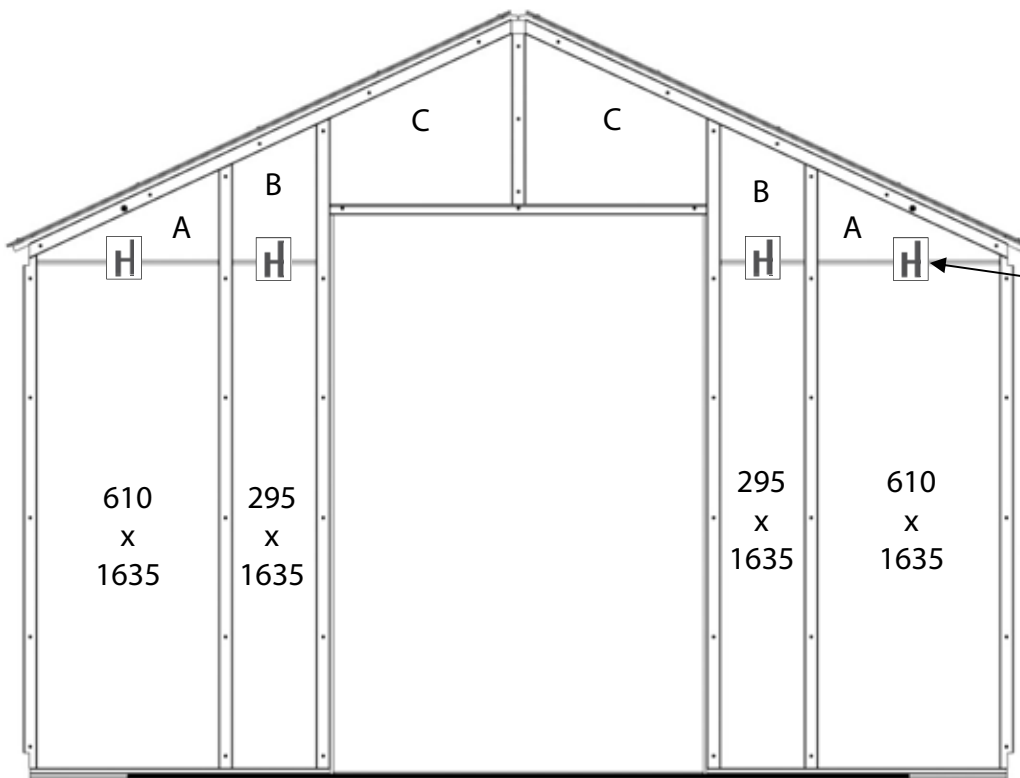
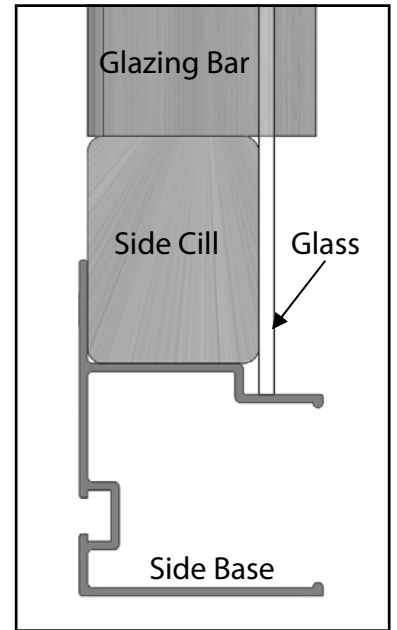
# Glazing



The standard cedar capping is used to glaze a partition, all you need to do to prep this is pre load it with the 25mm screws.

All of the capping is pre-cut to length, so sort through it placing the capping close to where you can reach it. Start by glazing a side section and make sure you have the first piece of capping to hand.

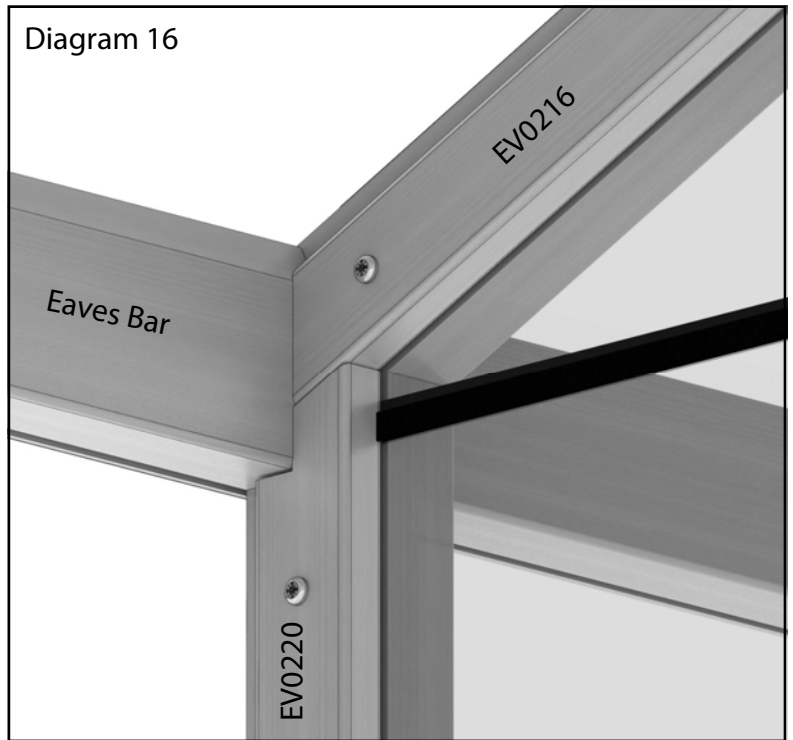
Glass Size	10ft wide
A	2
B	2
C	2
610x1635	2
295x1635	2



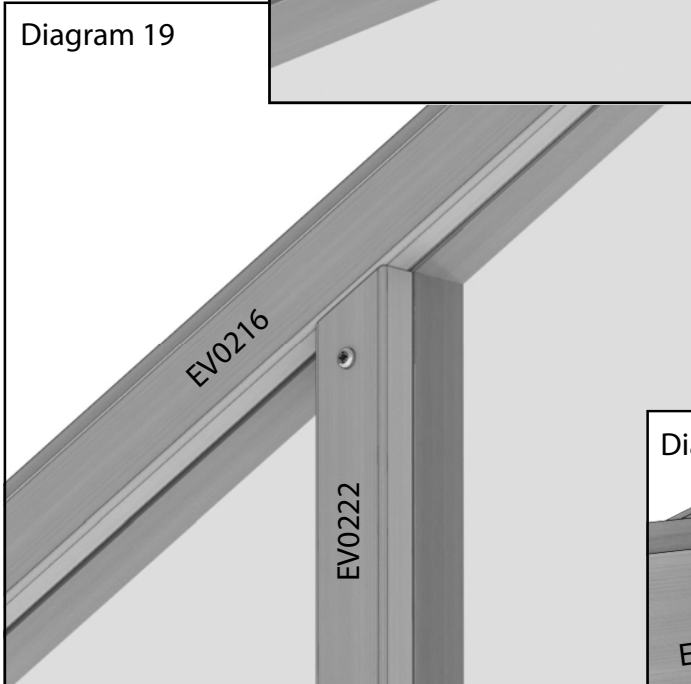
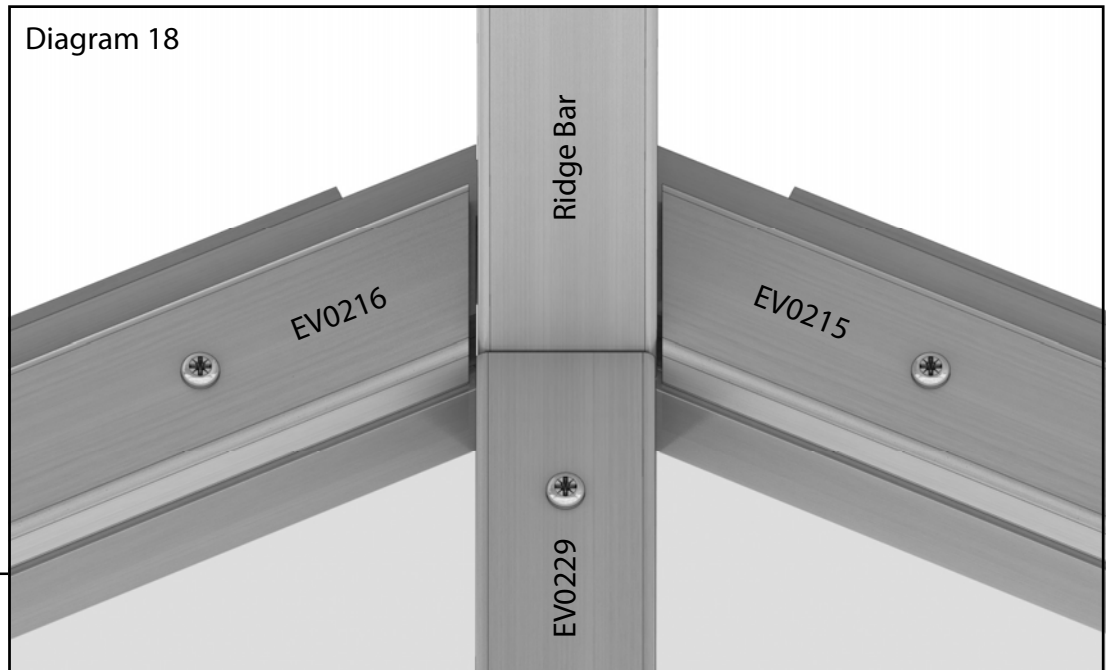
Use the glass separators between 2 panes of glass

# Glazing

Install the large 610x1635 pane adding the separator strip and then the eaves pane above and then fix with the capping supplied. Fix with the side capping to start with, fitting this close to the aluminium base (you may wish to adjust this once the roof capping is fitted). Then do the same for the middle sections and the other side section. Once all the partition glass is in place you can finally secure it along the top edge with the roof bar capping.

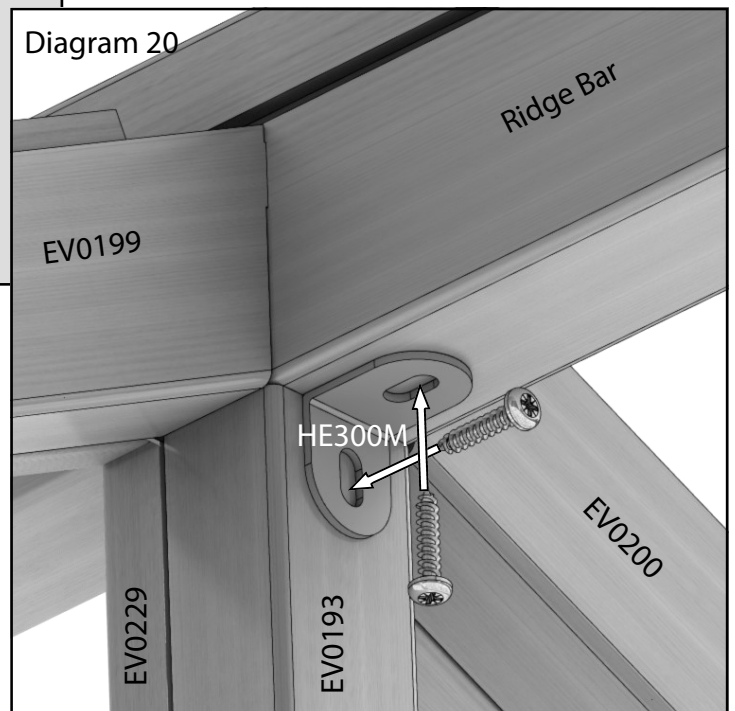


# Glazing



Once all the partition glass is in place you can finally secure it along the top edge with the roof bar capping (EV0216 and EV0215).

Now all the capping is installed the location of the glazing bar above the door will be correct so you can add the small bracket to fix the bar to the ridge, use 25mm screws for this.

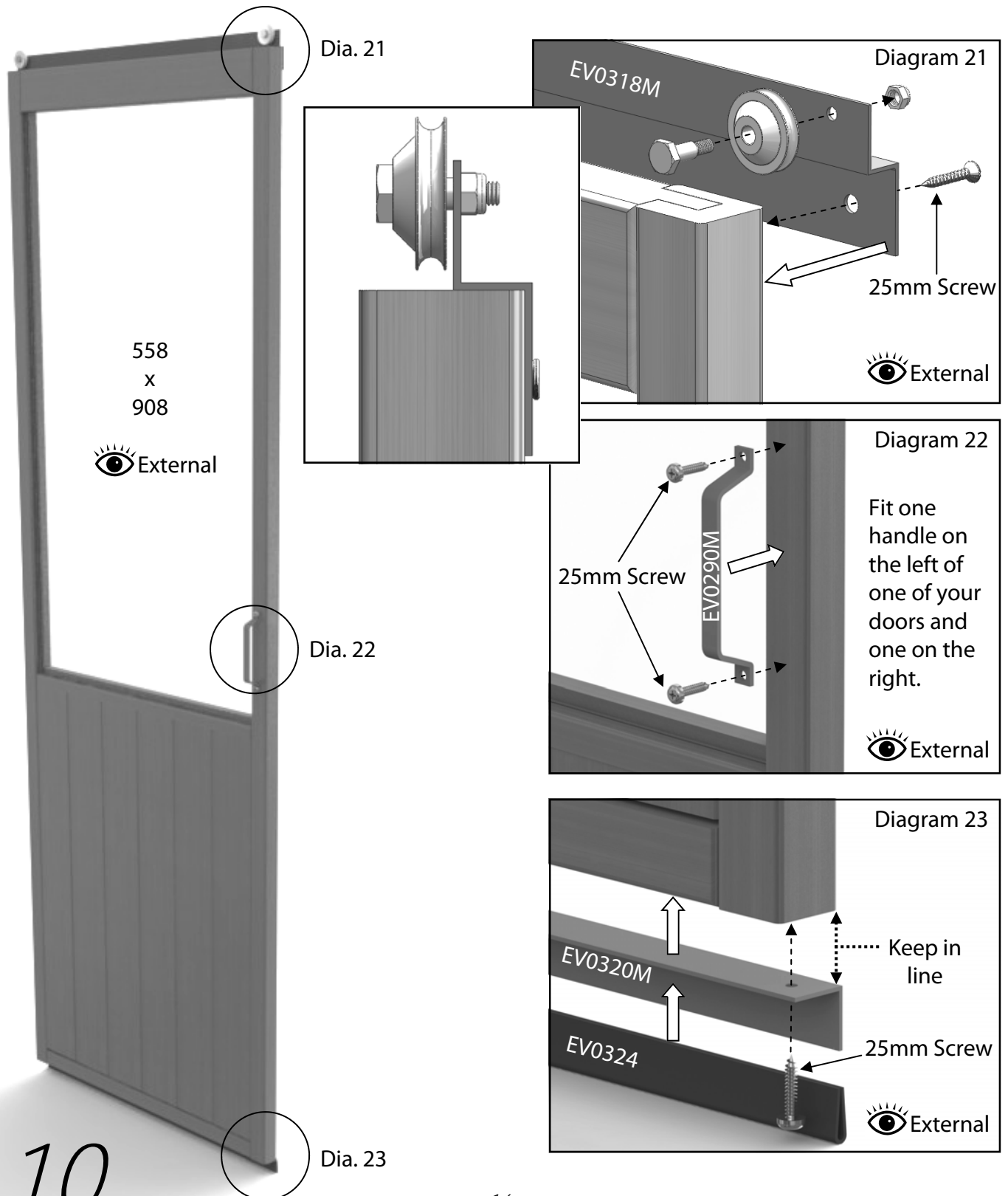


# Door Installation

Before installing the door you need to fit the running gear. Start by assembling the door wheels onto the door top bracket, diagram 36. Once assembled fit the bracket to the top of the door using 25mm countersunk screws.

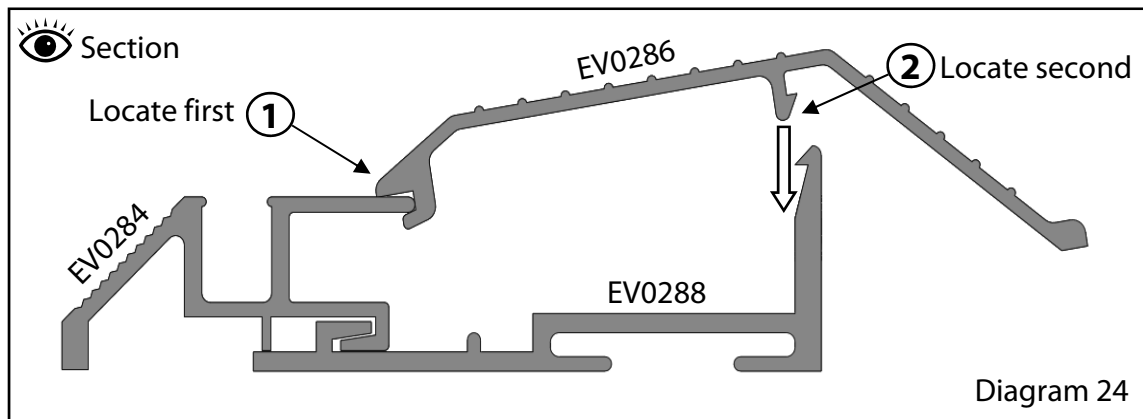
Now fit the door handle with 25mm round head screws, diagram 37.

Slide the door glide onto the door guide bracket and then fix to the bottom of the door. Keep the



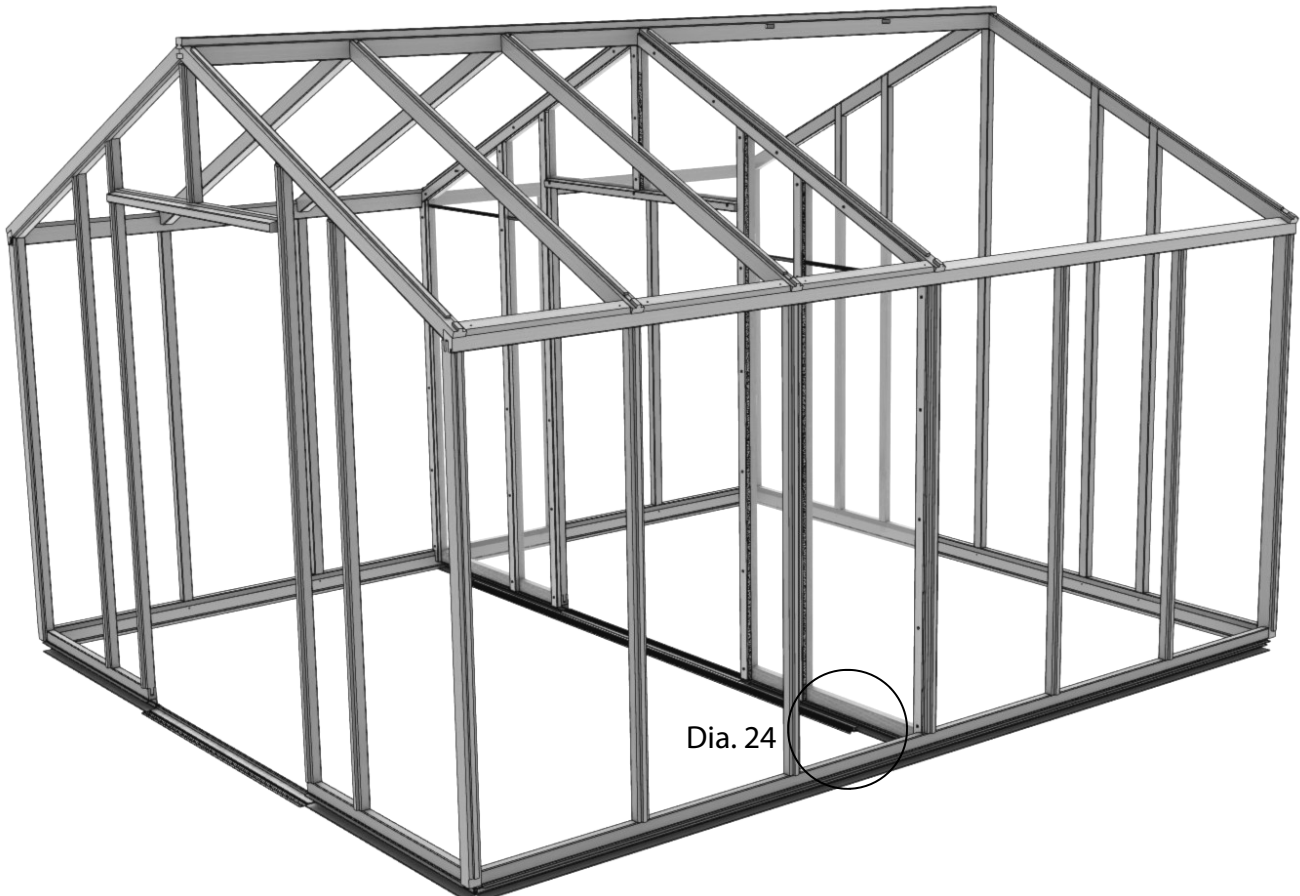


# Door Installation



Next install the bottom door guide (EV0284) onto the door cill (EV0288) shown in diagram 24. Make sure the channels are free from grit and that this locates properly as you may find the next stage difficult if this is not the case.

Now fit the threshold section (EV0286) in the middle of the door way. Locate the bottom edge of the threshold on the top lip of the door runner (point 1) and force the threshold down until it locks into place (point 2). You may find it easier to stand on this and walk along it or if you have a rubber mallet this is also a good tool for the job.

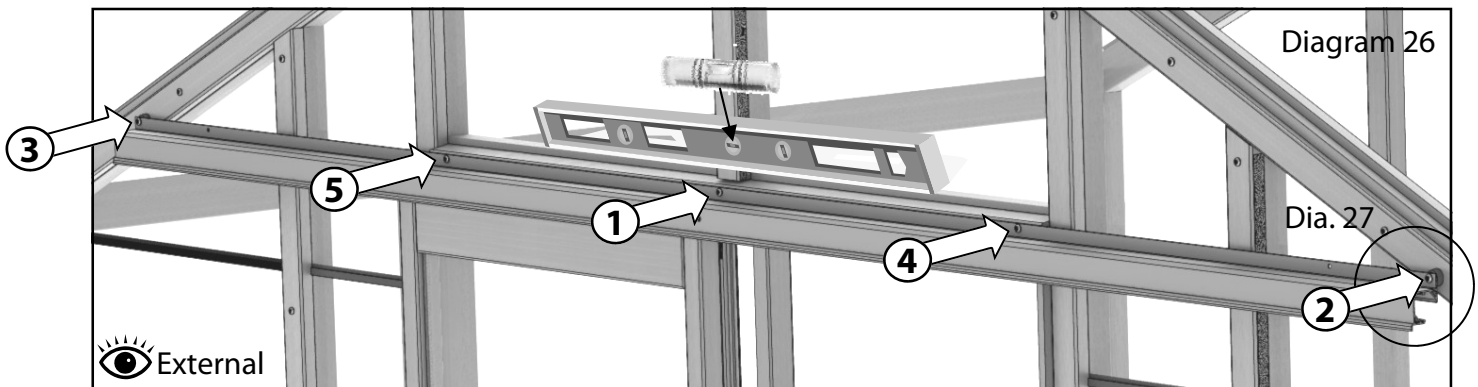
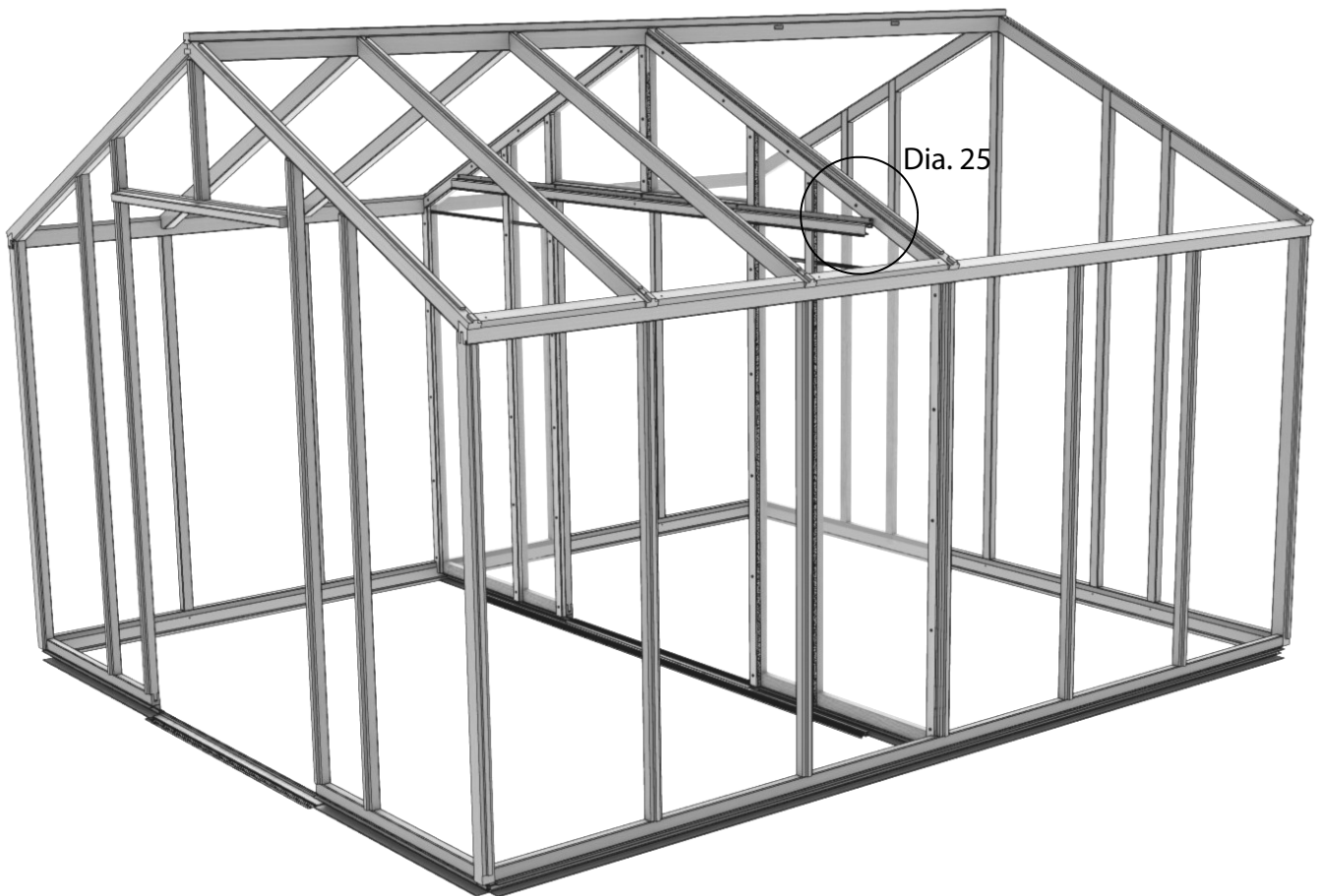


# Door Installation

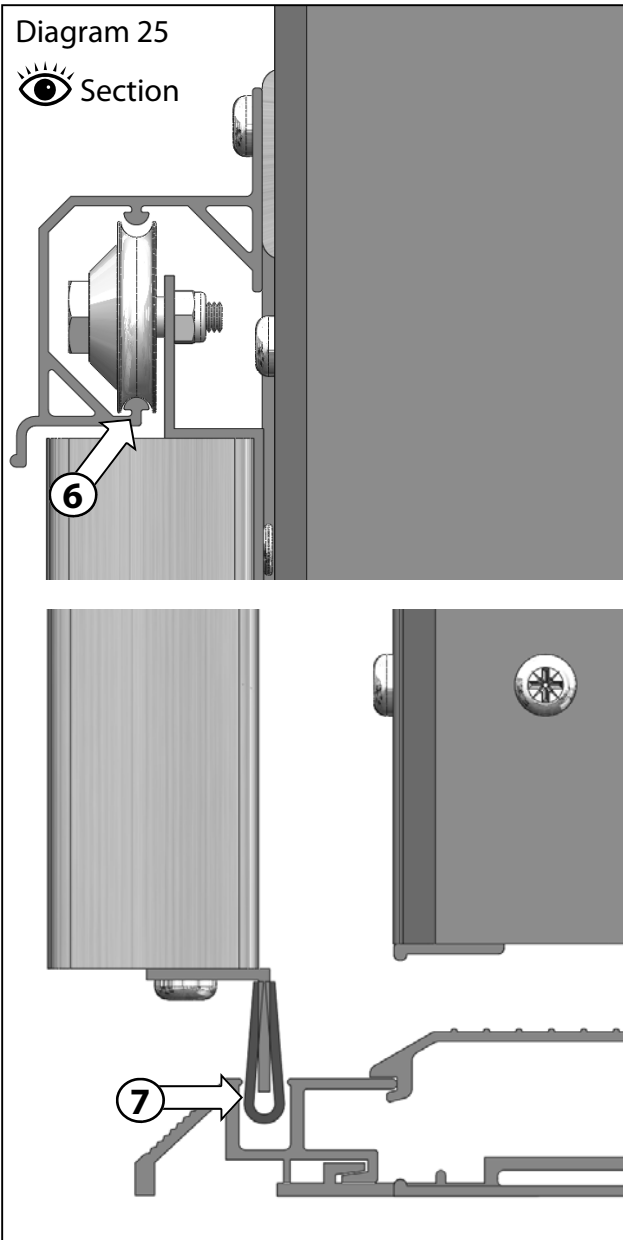
You can now fit the top door track to your partition. The right hand end of the door track should be roughly inline with the outer edge of the glazing bar below it (circled below). With help slide the door onto the track making sure the door wheels locate with the door track as shown in diagram 25, point 6. At the same time you need to locate the door guide with the door runner, point 7.

Holding the door up from the runner below so that it is just located in the runner (diagram 25, point 7) fix the track with the first 25mm screw at point 1 in diagram 26. The top edge of the door track should be close to the top edge of the door header.

Next adjust the position of the track until you are happy with its location and fix with a 25mm screw at point 2, diagram 27. Use the plastic bung supplied to space the door track from the building.



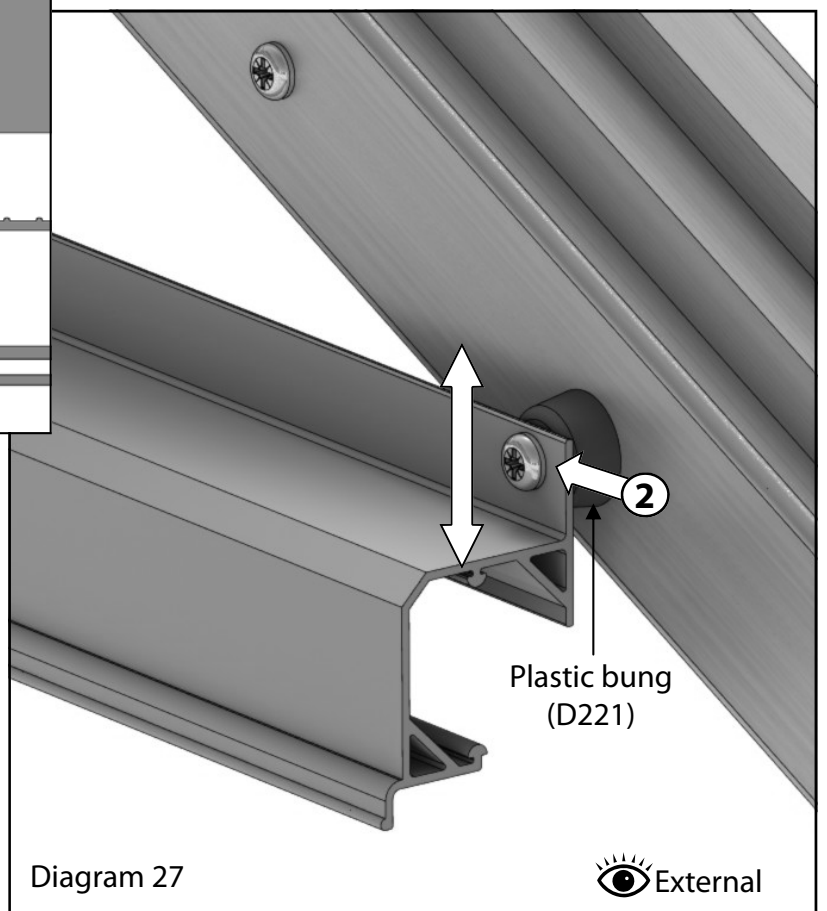
# Door Installation



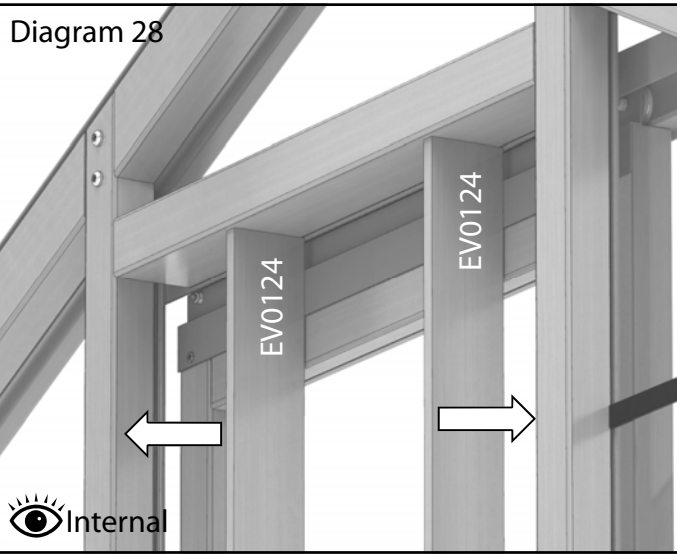
Repeat the last step at point 3.

You may find that the door height may need adjusting slightly. Do this by taking out the first screws you installed and reposition the track slightly, then re-fix.

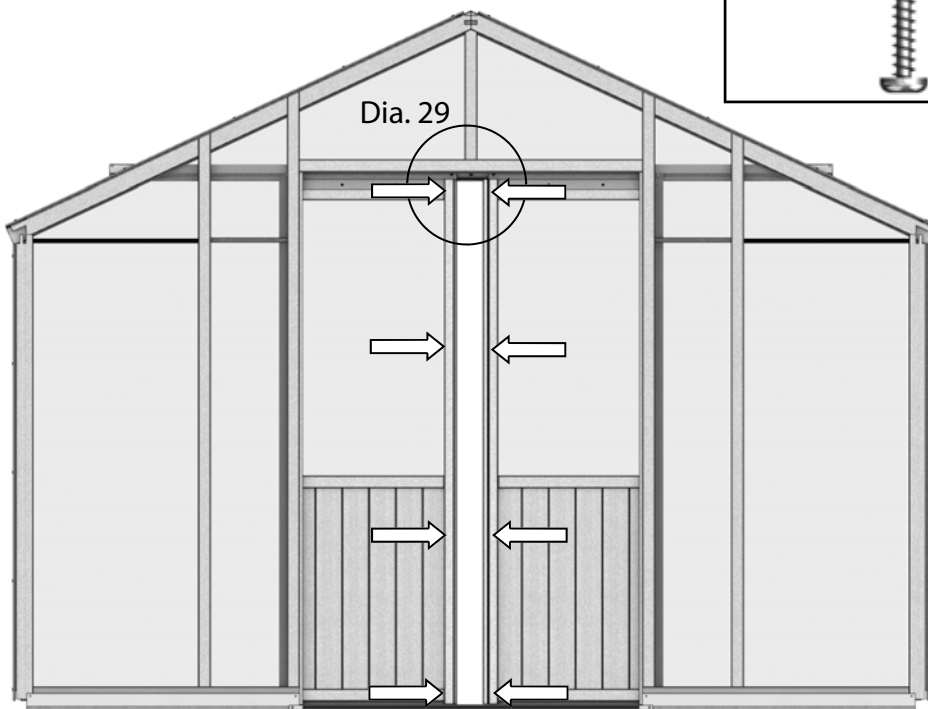
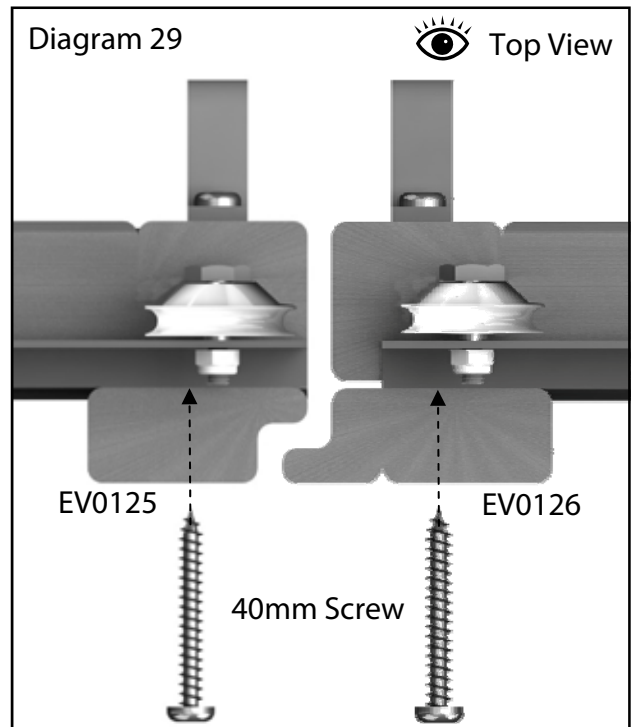
Once you are happy with the position of your track and the door is running freely fix the last 2 screws to the track at point 4 and 5.



# Door Installation

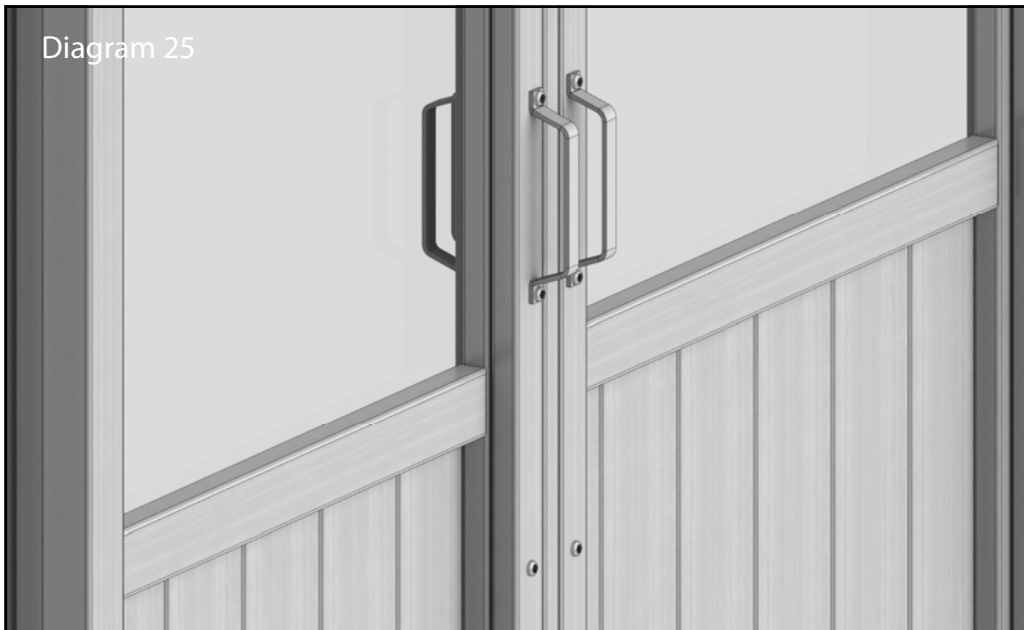


Standing on the inside of the greenhouse, with the door in the closed position you can install the door frame sides (diagram 28). Secure these with four 40mm screws per side. These should be fitted as close to the door as possible while still allowing it to pass by freely.



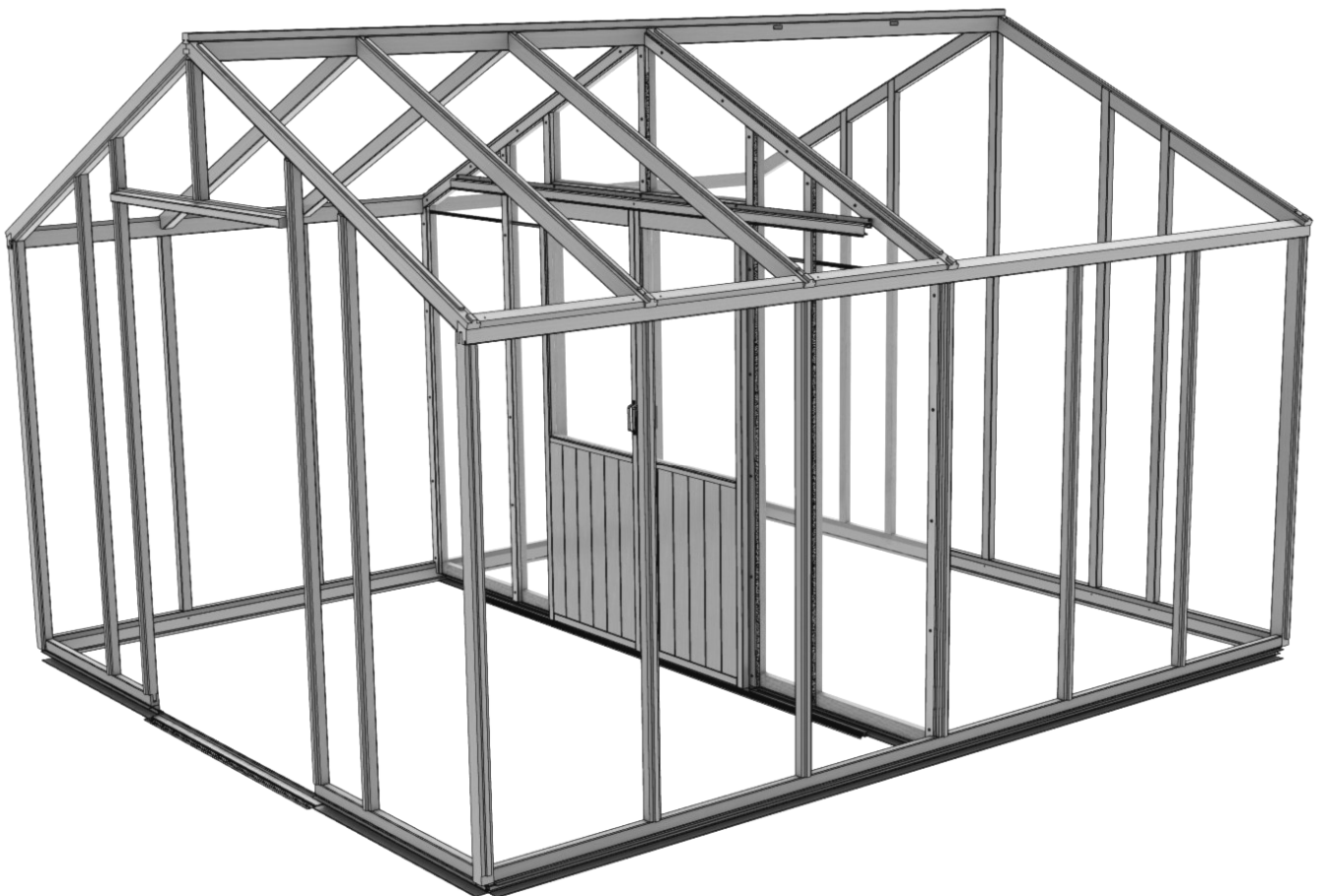
You can now install the rebate strips to the inside of your door (diagram 29). Pilot hole the strips first. It is best to do this away from the greenhouse with the 2 strips pinched together so you get the holes in the same positions. Drill 4 holes equally spaced then fix these with 40mm screws. Once the strips are in place you can fit the door handles on the inside, simply line these up with the handles on the outside of the door.

# Door Installation



Once the strips are in place you can fit the door handles on the inside, simply line these up with the handles on the outside of the door.

Now the partition is glazed and the doors are fitted return to your main manual and complete the roof assembly section.



# Parts List

Product Code	Description	Quantity
EV0060	Glazing Bar Gable R 6ft + 8ft wide EV0060 1994mm	1
EV0061	Glazing Bar Gable L 6ft + 8ft wide EV0061 1994mm	1
EV0109	Door Header Double EV0109 1276mm	1
EV0124	Door Frame Side EV0124 1816mm	2
EV0125	Door Rebate R EV0125 1768mm	1
EV0126	Door Rebate L EV0126 1768mm	1
EV0193	Glazing Bar Partition Above Door 10ft wide EV0193 571mm	1
EV0195	Glazing Bar Partition Side R EV0195 1636mm	1
EV0196	Glazing Bar Partition Side L EV0196 1636mm	1
EV0199	Glazing Bar Partition Roof R 10ft wide EV0199 1805mm	1
EV0200	Glazing Bar Partition Roof L 10ft wide EV0200 1805mm	1
EV0203	Cill Partition 8ft wide EV0203 970mm	2
EV0209	Glazing Bar Partition R 8ft +10ft wide EV0209 2141mm	1
EV0210	Glazing Bar Partition L 8ft +10ft wide EV0210 2141mm	1
EV0215	Partition Roof Corner Capping R 10ft wide EV0215 1738mm	1
EV0216	Partition Roof Corner Capping L 10ft wide EV0216 1738mm	1
EV0219	Partition Side Corner Capping R EV0219 1607mm	1
EV0220	Partition Side Corner Capping L EV0220 1607mm	1
EV0221	Partition Gable Capping R 6ft wide EV0221 1950mm	1
EV0222	Partition Gable Capping L 6ft wide EV0222 1950mm	1
EV0223	Partition Gable Capping R 10ft wide EV0223 2097mm	1
EV0224	Partition Gable Capping L 10ft wide EV0224 2097mm	1
EV0229	Partition Above Door Capping 10ft wide EV0229 550mm	1
EV0295M	ALU Front Base 10ft wide EV0295 981mm **MOSS**	2
EVPACEIGDOOM	Door bundle for Evo EIGHT, TEN, TEWLVE double doors **MOSS**	1
EVSMADD	EVOLUTION DOUBLE DOOR SMALLS PACK	1
EVSMAPAR8M	Smalls bag for EIGHT partition ***MOSS***	1
EV0331	25mm x 4 Pan Pozi woodscrew A2 SS EV0331	11
EV0332	40mm x 4 Pan Poz A2 SS woodscrew EV0332	6
SYBOLM6X11	Bolts 11mm M6 (simp) ABCX060011	2
SYNUTM6	Nuts M6 Alu ANFM060	2
D221	Door Stop (rubber)	1

*Notes...*

