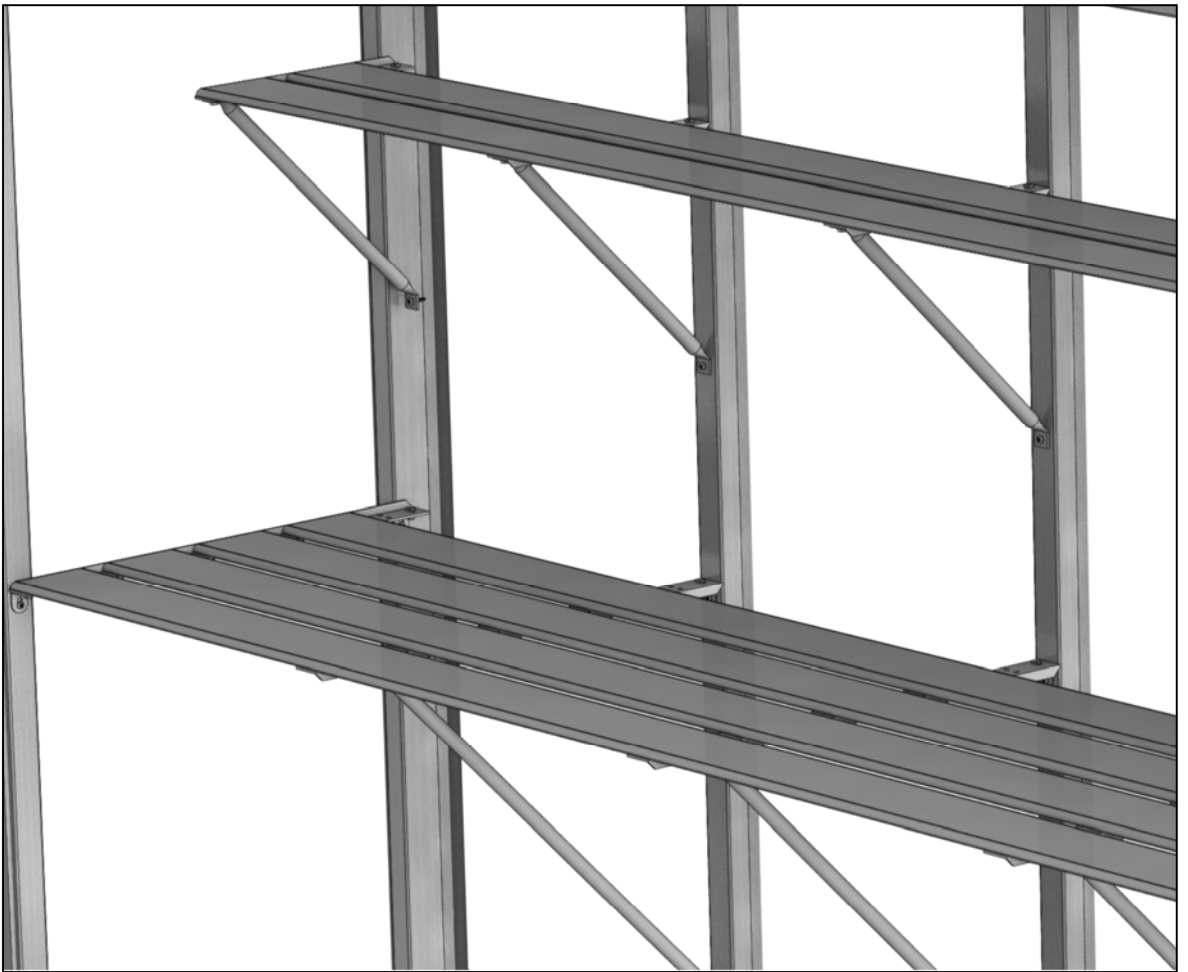




Cedar Greenhouses

## Instruction Manual

Aluminium  
Staging and Shelving



Made in the United Kingdom



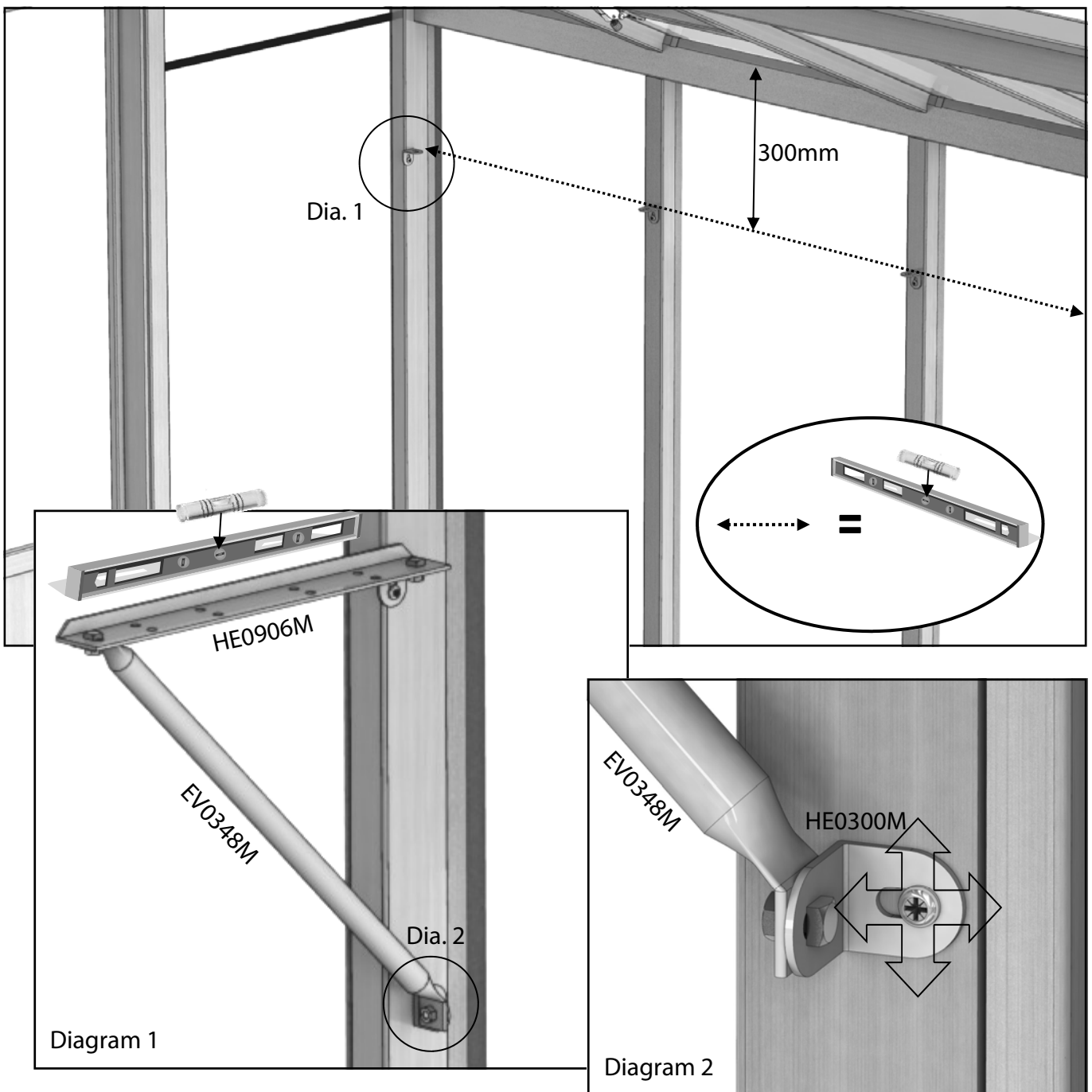
## Staging and Shelving Instructions

<b>Contents:</b>	<b>Page</b>
Shelving Installation	3-5
Staging Installation	6-8
Shelving Extension	9-10
Staging Extension	11
Fitting around a partition	12-13
Packing List	14-16

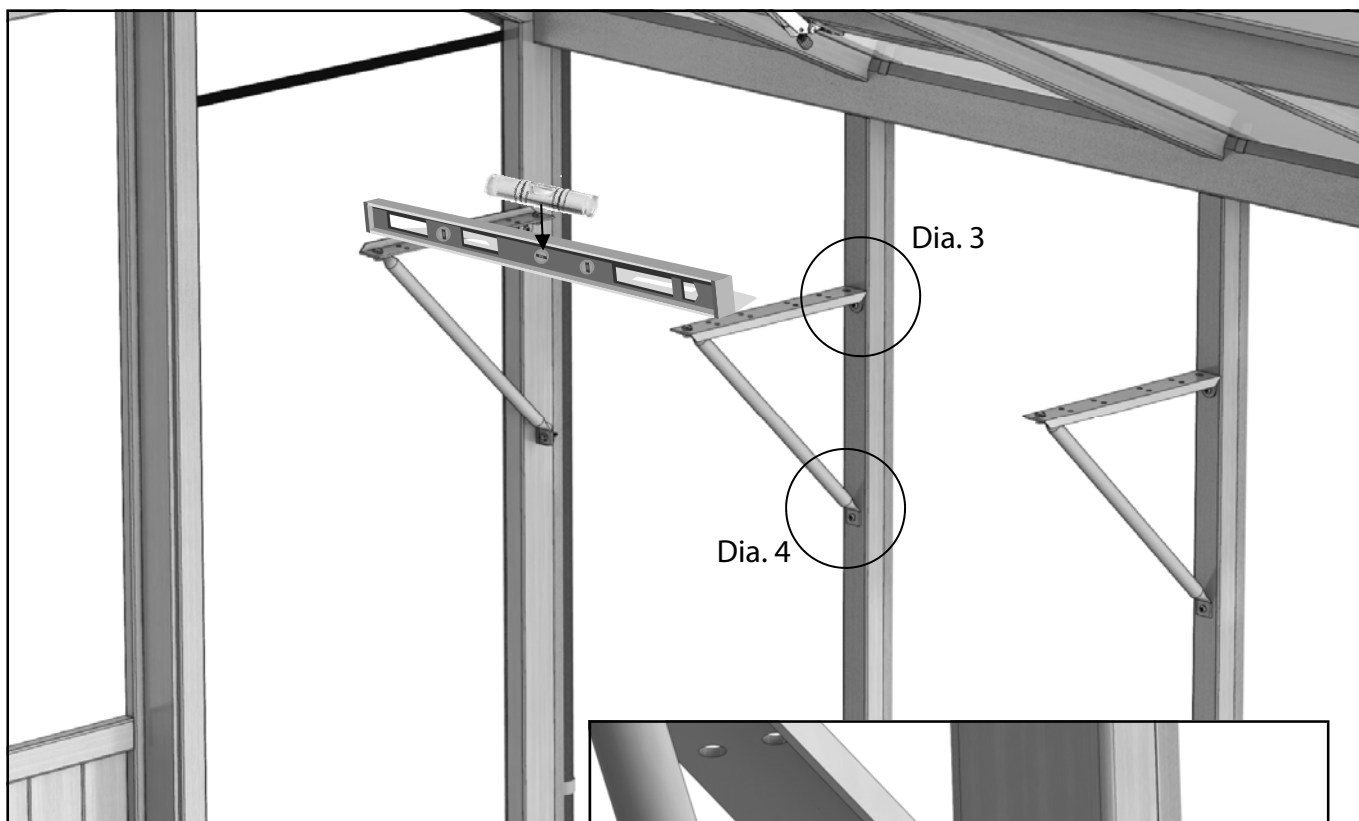
# Shelving Installation

Start by making a pencil mark on each glazing bar. You can set the height of your shelf to what ever suites your needs, but the optimum position is 300mm down from the top edge of the eaves bar. This will give you enough room on top of your low level staging and enough height for smaller plants on the shelving. Another benefit is if you have an A-frame it is easier to fit the shelving around this.

Once all the small brackets are fitted you can attach the first staging arm (diagram 1). Fit a diagonal support to the arm on the first slotted hole, then attach one of the small brackets to the diagonal support (diagram 2). Now fit the arm to the small bracket on the side of the greenhouse with an M6 bolt. Using a small spirit level adjust the position of the bracket at the end of the diagonal support until the shelf arm is level, then fix with a 25mm screw (there is no need to pilot hole for a screw of this size).



# Shelving Installation



Do the same for the opposite end of the greenhouse. You can then fit the remaining arms and diagonal supports making sure they are all level front to back and side to side. If you have an extension pack you should turn to page 8 now to complete the run.

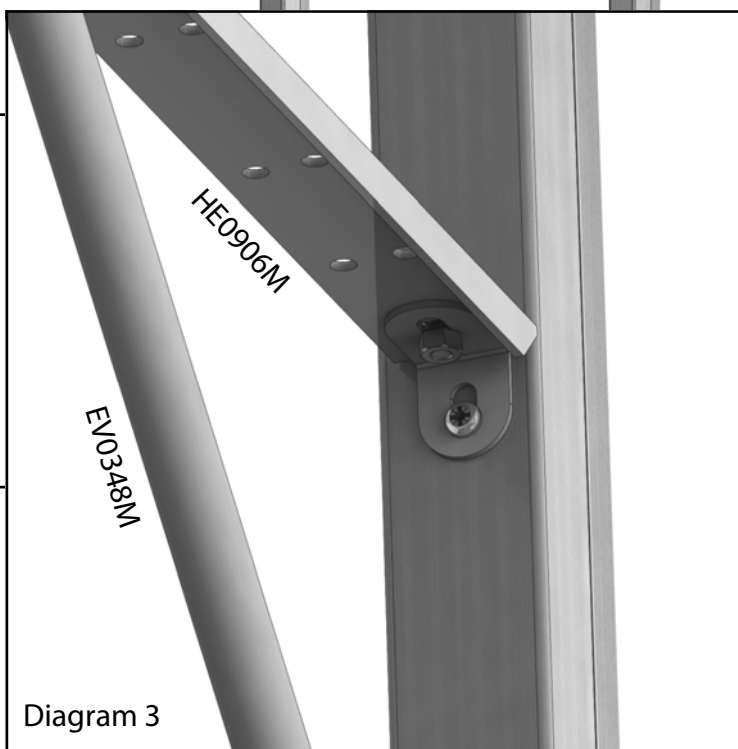


Diagram 3

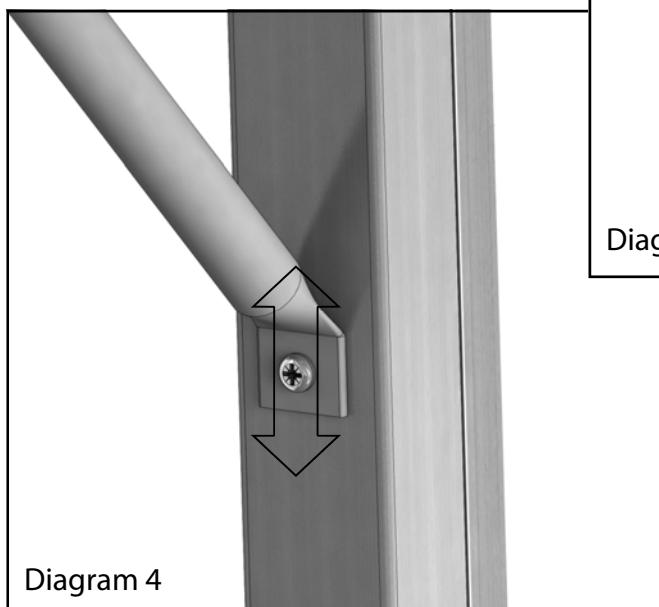
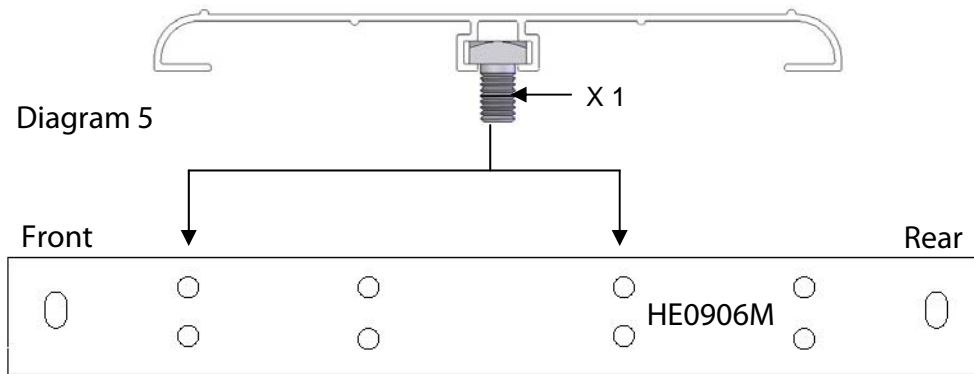
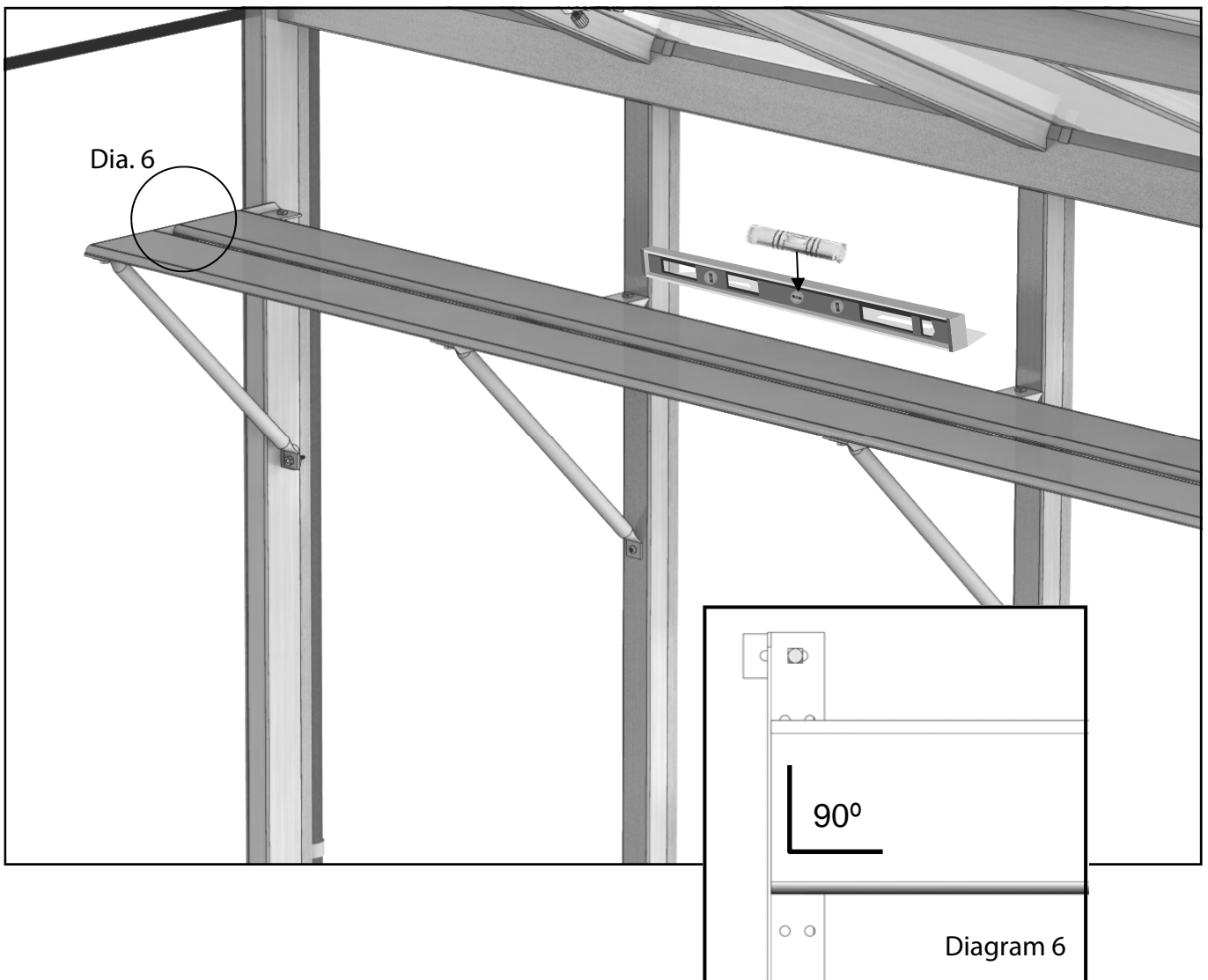


Diagram 4

# Shelving Installation

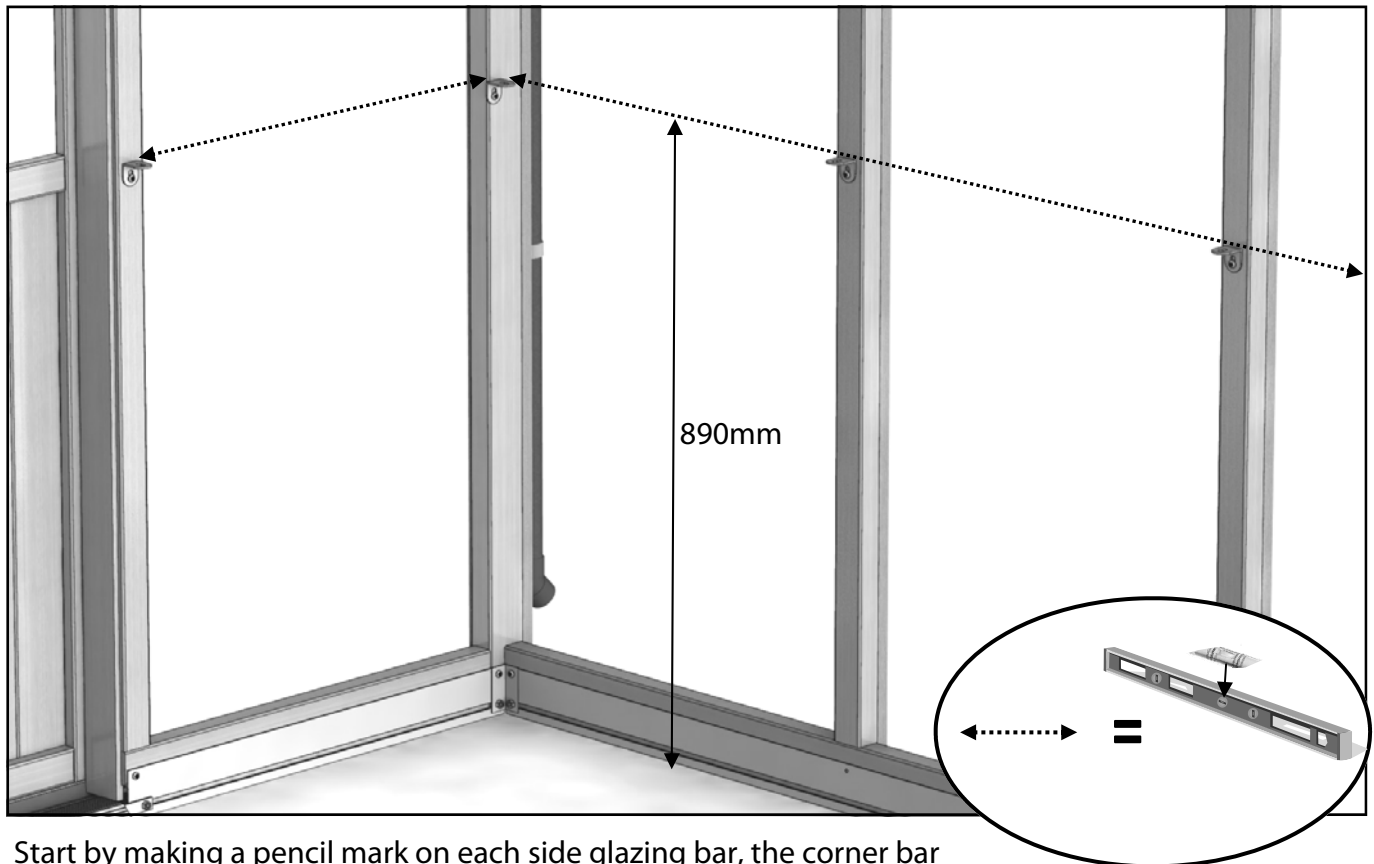


Once you are happy with the positioning of the shelving arms you can start to fit the shelving slats. Place these upside down on the shelving arms, Insert 1 bolt into the channel (diagram 5) for every arm. Now turn the first slat over and locate the bolts with the arms, start at one end loosely fitting the nuts to the bolts. Repeat this for the second slat. You now need to make sure everything is square and in line (diagram 6) then tighten all the nuts on the shelving. The shelving will now be complete.



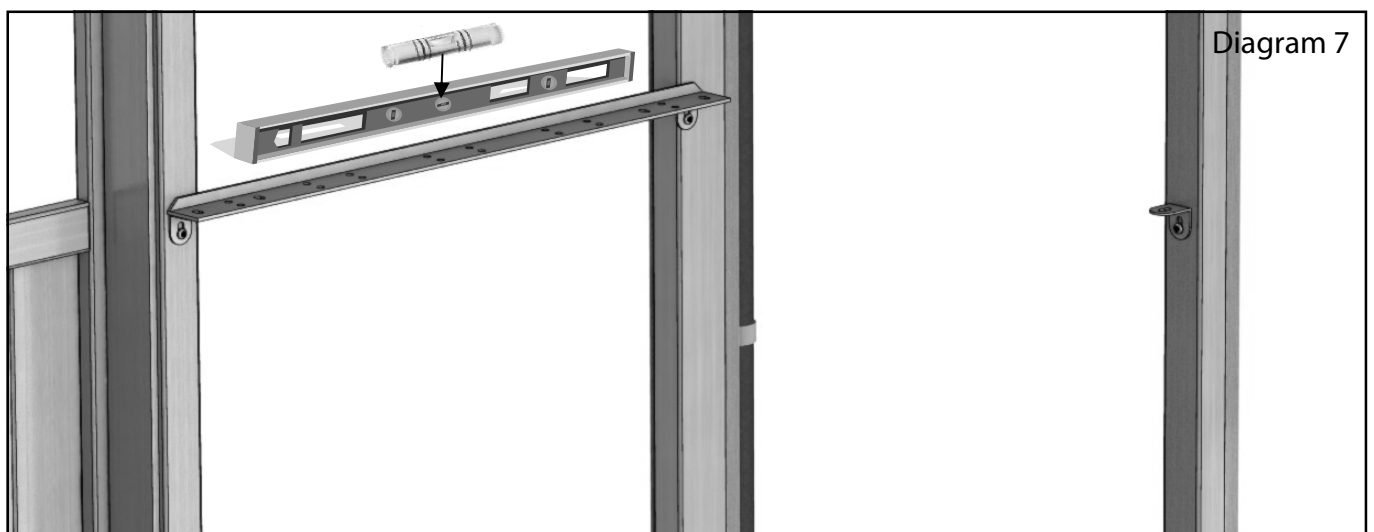
# Staging Installation

**This example** shows the 25 inch staging, the same installation techniques apply to the 20 inch staging.

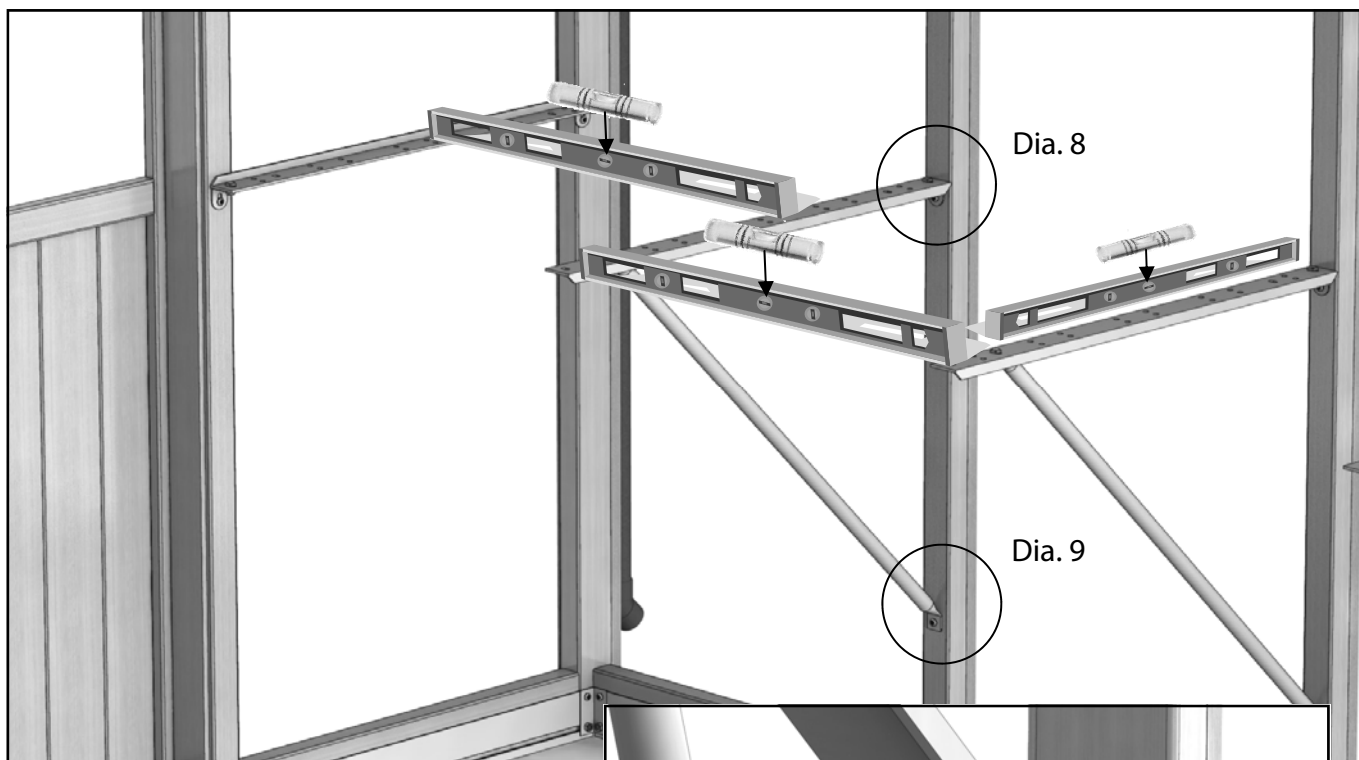


Start by making a pencil mark on each side glazing bar, the corner bar and the gable glazing bars. You can set the height of your staging to what ever suites your needs, but the optimum position is 890mm from the floor, this will give you a finished working height of 900mm (standard kitchen worktop height). If you are planning on sitting at the staging you may want to consider fitting it at 750mm from the floor.

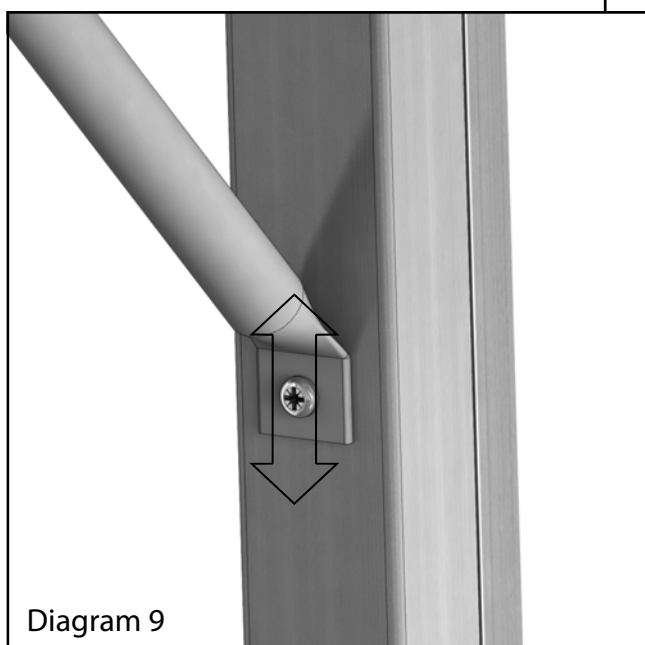
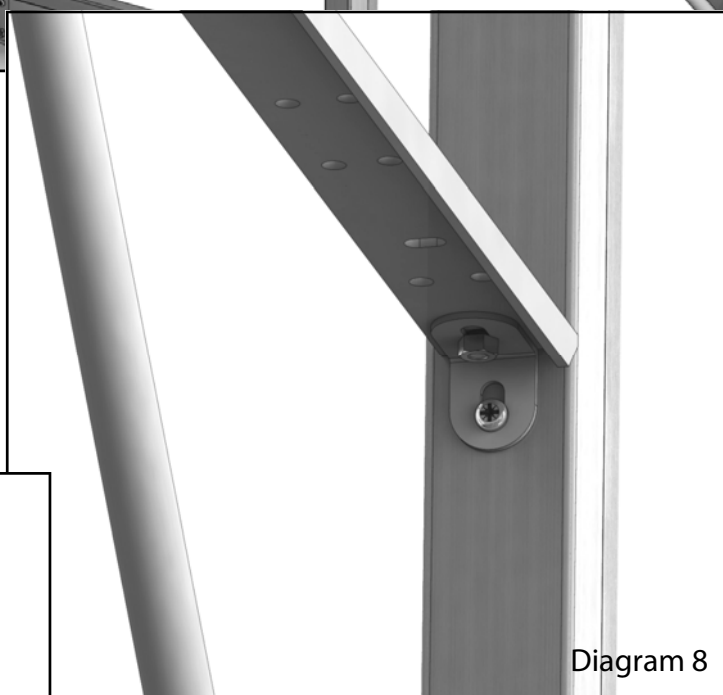
Once all the small brackets are fitted you can attach the first staging arm (diagram 7). Fix it to the small brackets on the corner bar and the gable bar, once fixed check with a spirit level and adjust if necessary. Do the same for the opposite end of the run.



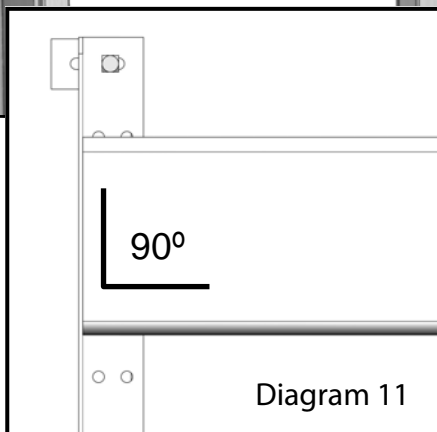
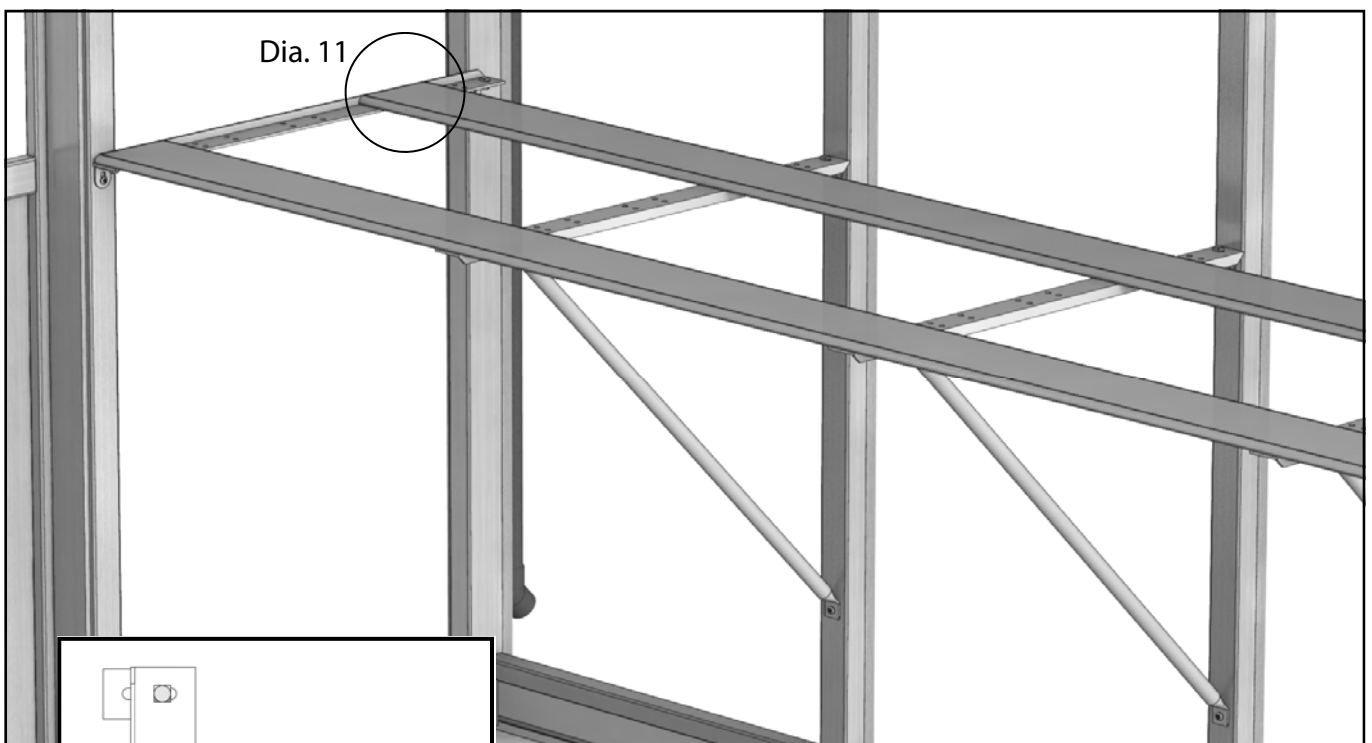
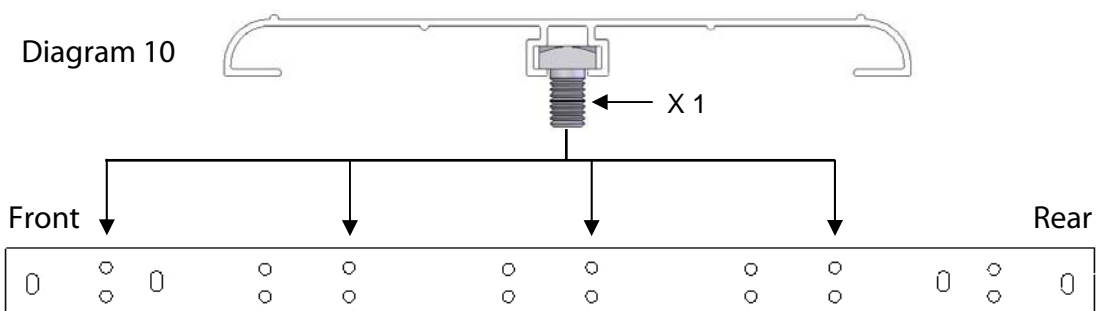
# Staging Installation



You can then fit the remaining arms and diagonal supports making sure they are all level front to back and side to side. If you have an extension pack you should turn to page 10 to see how to fit the staging around the A-frame.



# Staging Installation

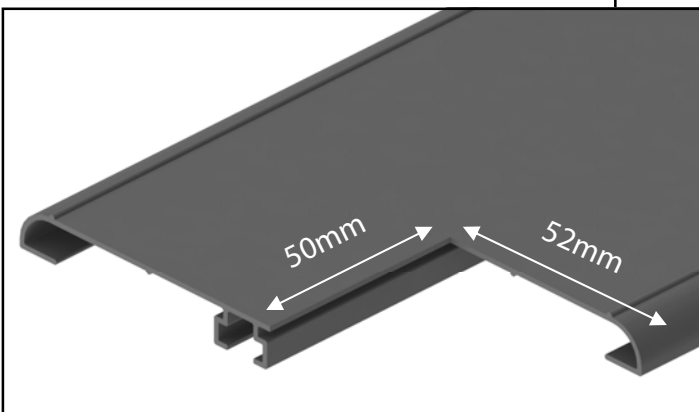
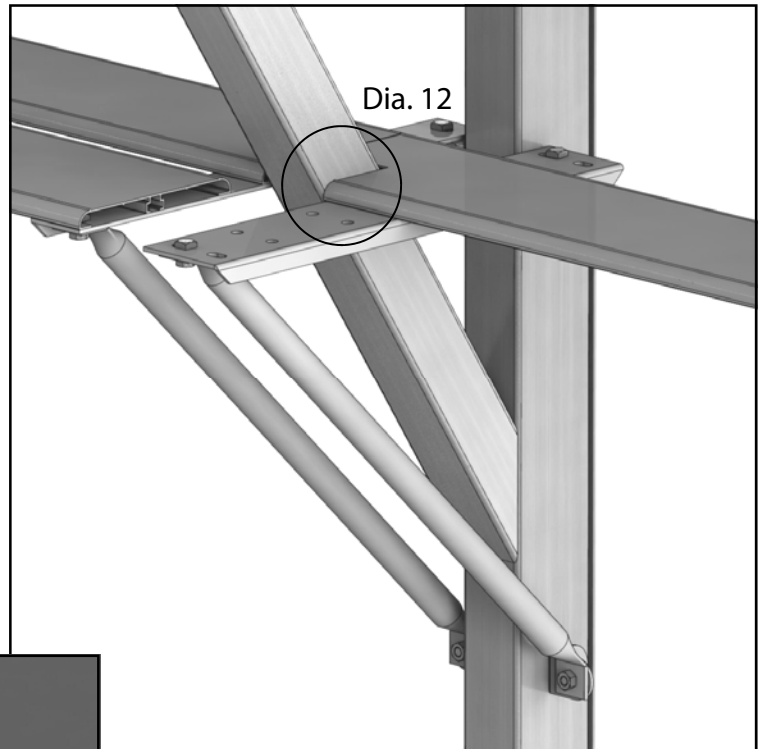
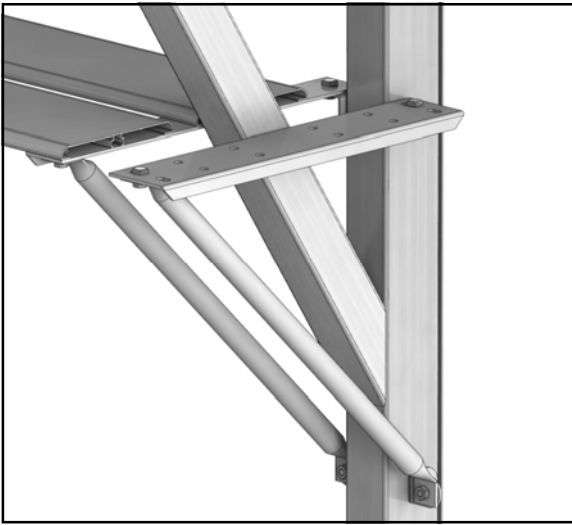


Once you are happy with the positioning of the staging arms you can start to fit the staging slats. Place these upside down on the staging arms, Insert 1 bolt into the channel (diagram 10) for every arm. Now turn the first slat over and locate the bolts with the arms, start at one end loosely fitting the nuts to the bolts. Repeat this for the second slat. You now need to make sure everything is square and in line (diagram 6) then tighten all the nuts on the staging. You can now repeat this for the remaining slats.



# Shelving Extension

Join at A-frame

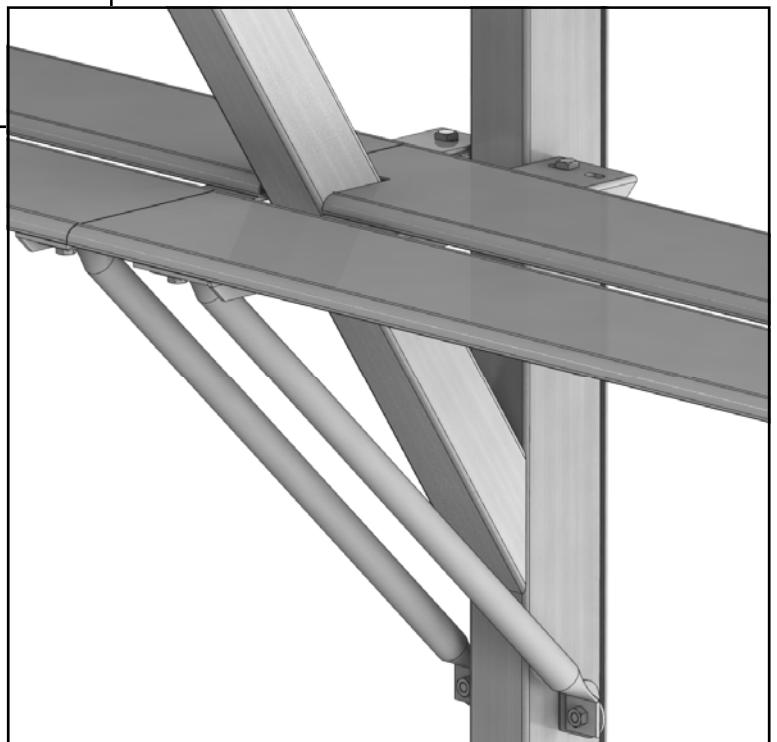


Fit the shelving arms as before, at the set distance down from the eaves bar (300mm). You will need to fit an arm both sides of the A-frame if this is where your join occurs. When you have fitted the arms line up the rear slat and mark it for notching. This should be something close to diagram 12.

Diagram 12

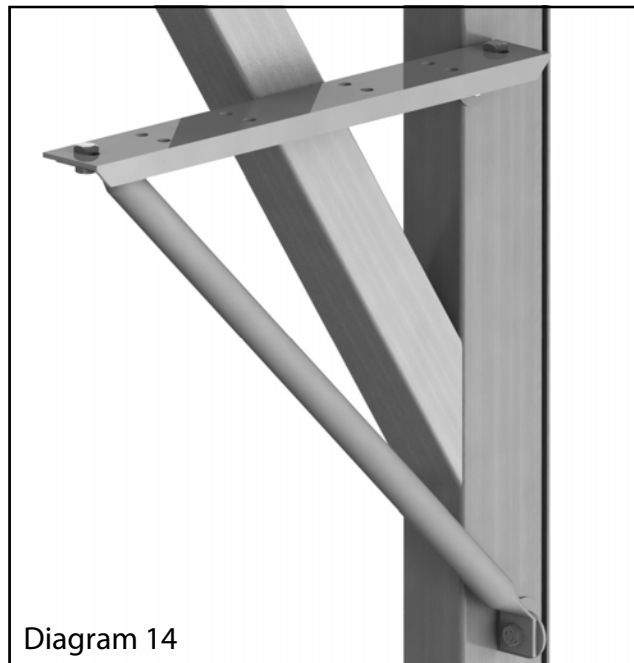
You should use a hacksaw to cut the slat. Make sure you do this on a flat sturdy platform. Use a file to de-burr any sharp edges.

Now fit the slats to the shelving arms as on page 5.



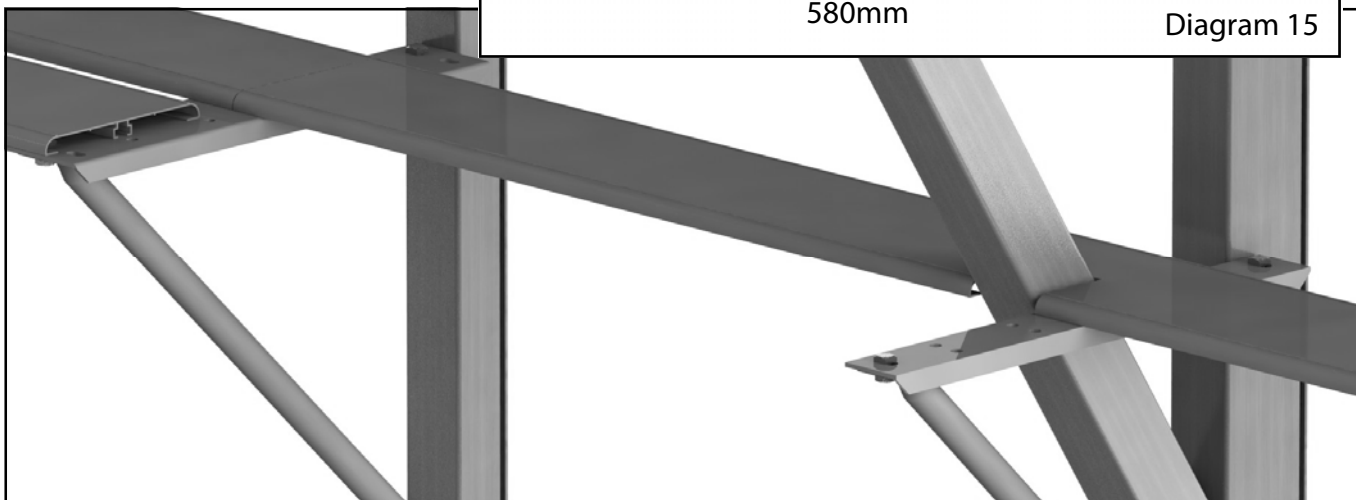
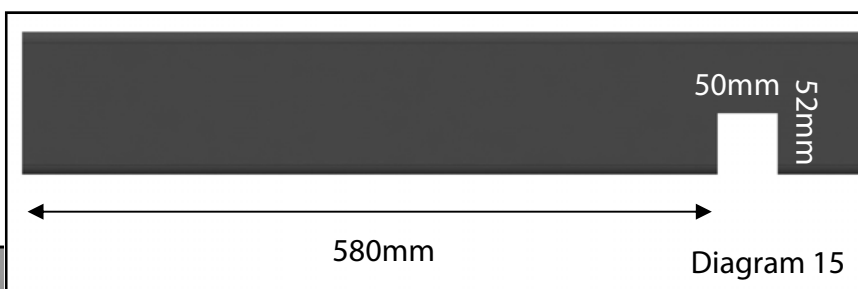
# Shelving Extension

Join at standard bar



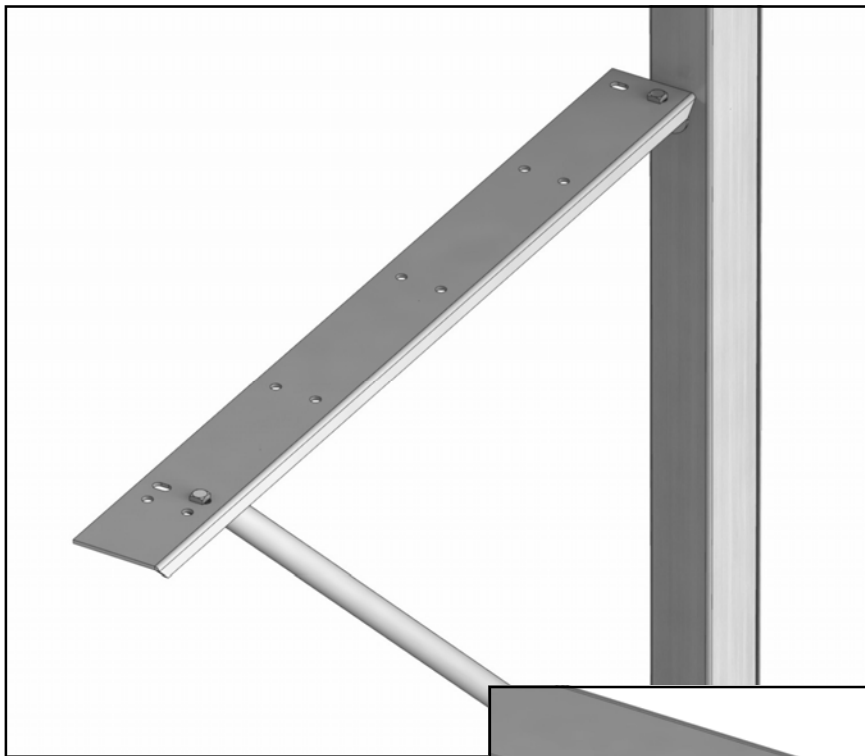
If the join on your staging falls at a standard glazing bar use the wider shelving arm, diagram 13. You will then need to attach a normal shelving arm to the A-frame (diagram 14), use the same method as before to fix these. Once these are installed you can rest the rear slat in place to mark where you need notch it. It should be something like diagram 15. Once you are happy with where to notch the slat use a hacksaw to cut it, de-burring any sharp edges with a file. You can now fit the slats to the arms, follow the method on page 5 to do this.

**Note:** A useful tip when notching an aluminium slat like this is to make the two 52mm cuts and then bend the aluminium up and down until it breaks off, then use a file to tidy the edge.



# Staging Extension

## Join at A-frame



It is very straight forward to fit the staging past an A-frame. With the staging extension pack you will find an extra wide staging arm, this is also shorter than the others supplied so should be easy to spot. Measure up from the floor as you did before and attach the small bracket. Now fit the staging arm with a diagonal support. Bolt the arm to the small bracket and screw the support to the A-frame side bar. Make sure this is level front to back and also level with the next staging arm along.

Once you are happy with the positioning of the staging arms you can start to fit the staging slats. Place these upside down on the staging arms, Insert 1 bolt into the channel (diagram 10) for every arm. Now turn the first slat over and locate the bolts with the arms, start at one end loosely fitting the nuts to the bolts. Repeat this for the second slat (diagram 16). You now need to make sure everything is square and in line (diagram 11) then tighten all the nuts on the staging. You can now repeat this for the remaining slats.

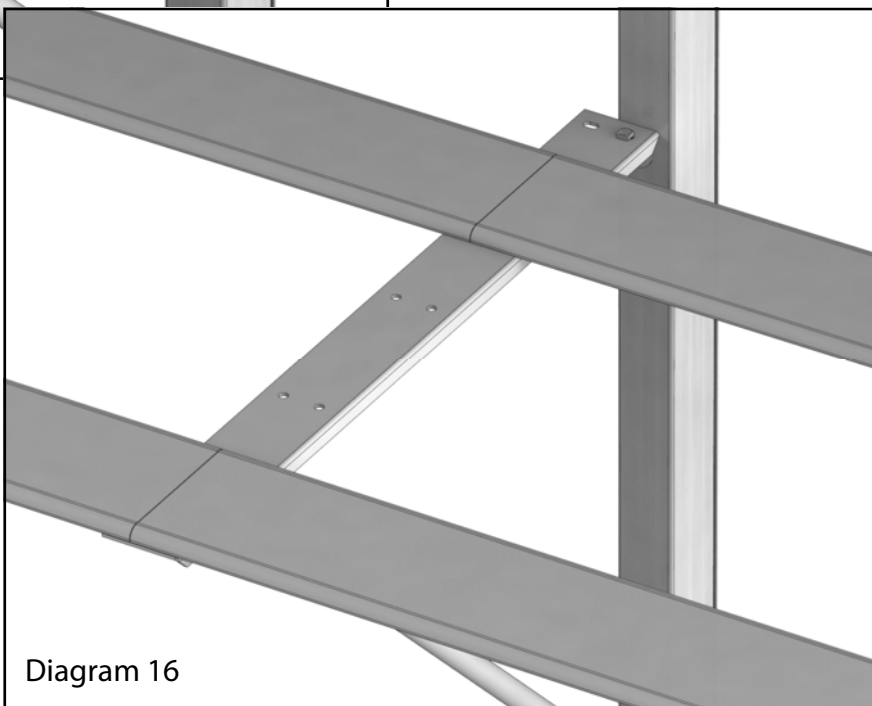


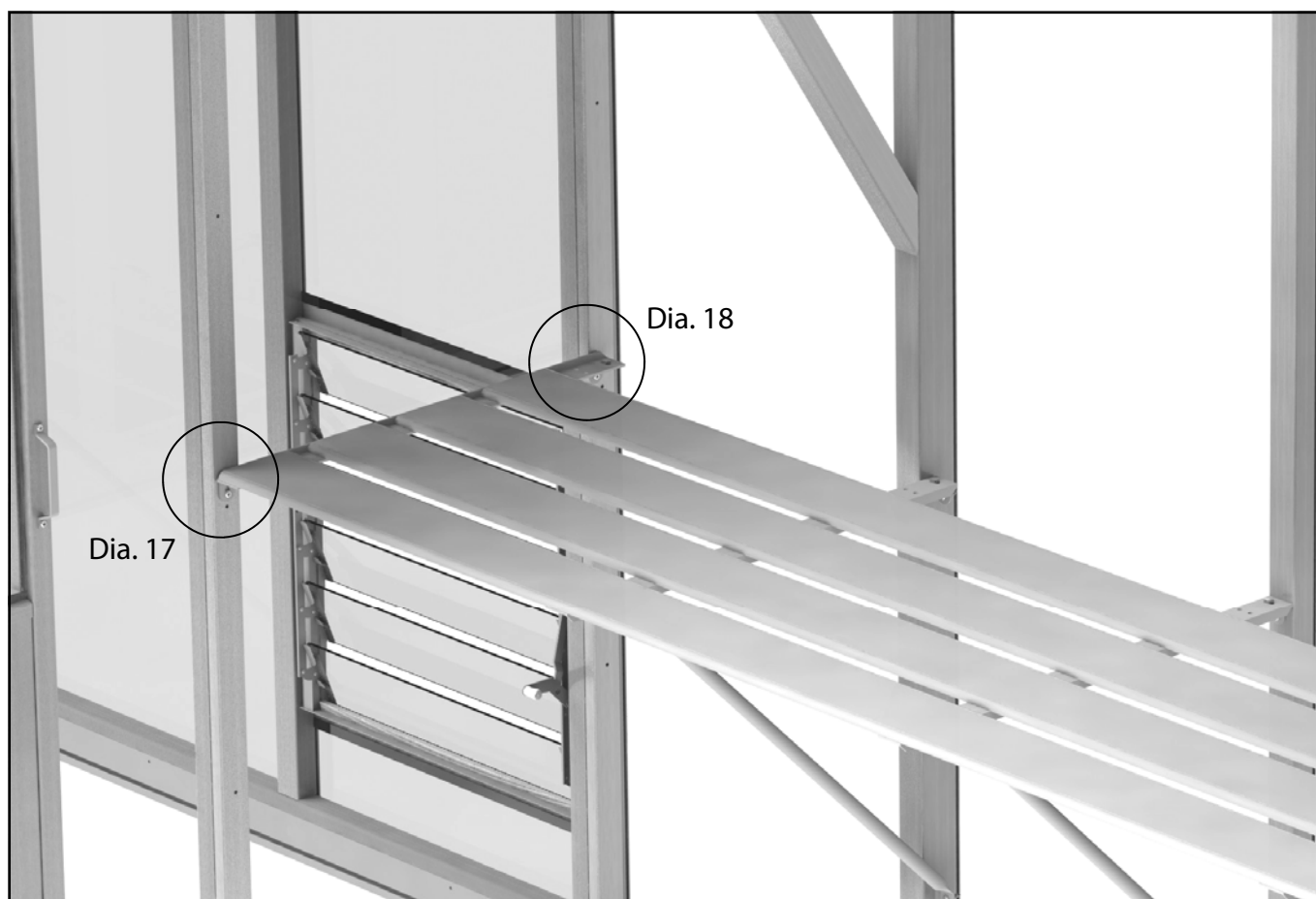
Diagram 16

# Fitting staging around a Partition

If you have a partition you will need to adapt your staging to fit. If you have advised us of the position of your partition in advance we should have supplied the closest length combination as possible.

For example, if you have a 16ft long greenhouse and want to position the partition 6ft from the back we would supply you a 6ft run and a 10ft run. This means the 6ft run would fit in the back of the partition without modification and the 10ft run would just need cutting down to size. In this scenario you would trim 12mm of the end of each 10ft slat.

Be careful when fixing to the bar capping on the partition. The gable glazing bar should be ok as you should be fixing close to the centre point of the bar (in-line with the capping screws), so you will be ok to use a 25mm screw supplied with your staging (diagram 17). For the side partition bar you will need to use a 16mm screw supplied with your partition (diagram 18).

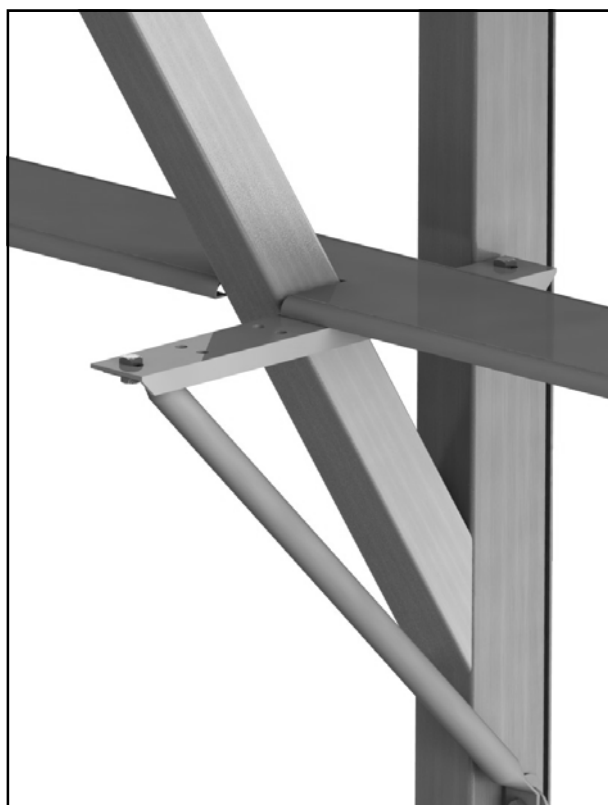


## Fitting staging around a Partition



## Fitting shelving around a Partition

Fitting shelving is exactly the same as staging, just cut the slats down to size. Remember you may have to notch a shelving slat to fit round an A-frame, see page 10 for advise on how to do this.



# Packing List

12" Evolution Atlas Shelving			
Description	Part No.	Length	Quantity
<b>12" 4ft Shelving Pack</b>			<b>EVSTA1204M</b>
Atlas staging slat 4	EV0340M	1206	2
Atlas Shelf Arm 12	HE906M	325	3
Diagonal Shelving Support	EV0348M	450	3
Small Bracket	HE300M	-	5
M6 Bolt (Stainless Steel)	HE576	10	14
M6 Nut (Stainless Steel)	HE579	-	14
25mm Pan Poz	EV0331	25	6
<b>12" 6ft Shelving Pack</b>			<b>EVSTA1206M</b>
Atlas staging slat 6	EV0341M	1836	2
Atlas Shelf Arm 12	HE906M	325	4
Diagonal Shelving Support	EV0348M	450	4
Small Bracket	HE300M	-	6
M6 Bolt (Stainless Steel)	HE576	10	18
M6 Nut (Stainless Steel)	HE579	-	18
25mm Pan Poz	EV0331	25	8
<b>12" 8ft Shelving Pack</b>			<b>EVSTA1208M</b>
Atlas staging slat 8	EV0342M	2466	2
Atlas Shelf Arm 12	HE906M	325	5
Diagonal Shelving Support	EV0348M	450	5
Small Bracket	HE300M	-	7
M6 Bolt (Stainless Steel)	HE576	10	22
M6 Nut (Stainless Steel)	HE579	-	22
25mm Pan Poz	EV0331	25	10

<b>12" 10ft Shelving Pack</b>			<b>EVSTA1210M</b>
Atlas staging slat 10	EV0343M	3096	2
Atlas Shelf Arm 12	HE906M	325	6
Diagonal Shelving Support	EV0348M	450	6
Small Bracket	HE300M	-	8
M6 Bolt (Stainless Steel)	HE576	10	26
M6 Nut (Stainless Steel)	HE579	-	26
25mm Pan Poz	EV0331	25	12
<b>12" 12ft Shelving Pack</b>			<b>EVSTA1212M</b>
Atlas staging slat 12	EV0344M	3726	2
Atlas Shelf Arm 12	HE906M	325	7
Diagonal Shelving Support	EV0348M	450	7
Small Bracket	HE300M	-	9
M6 Bolt (Stainless Steel)	HE576	10	30
M6 Nut (Stainless Steel)	HE579	-	30
25mm Pan Poz	EV0331	25	14
<b>12" 8ft Extension Shelving Pack</b>			<b>EVSTA128X</b>
Atlas staging slat 8 ext.	EV0345M	2519	2
Atlas Shelf Arm 12	HE906M	325	4
Diagonal Shelving Support	EV0348M	450	5
Atlas Shelving Arm 12 ext.	EV0351M	325	1
Small Bracket	HE300M	-	7
M6 Bolt (Stainless Steel)	HE576	10	22
M6 Nut (Stainless Steel)	HE579	-	22
25mm Pan Poz	EV0331	25	10

# Packing List

20" Evolution Atlas Staging			
Description	Part No.	Length	Quantity
<b>20" 4ft Staging Pack</b>			<b>EVSTA2004M</b>
Atlas staging slat 4	EV0340M	1206	3
Atlas staging Arm 18	EV0346M	505	3
Diagonal Staging Support	EV0349M	700	1
Small Bracket	HE300M	-	5
M6 Bolt (Stainless Steel)	HE576	10	15
M6 Nut (Stainless Steel)	HE579	-	15
25mm Pan Poz	EV0331	25	6
<b>20" 6ft Staging Pack</b>			<b>EVSTA2006M</b>
Atlas staging slat 6	EV0341M	1836	3
Atlas staging Arm 18	EV0346M	505	4
Diagonal Staging Support	EV0349M	700	2
Small Bracket	HE300M	-	6
M6 Bolt (Stainless Steel)	HE576	10	20
M6 Nut (Stainless Steel)	HE579	-	20
25mm Pan Poz	EV0331	25	8
<b>20" 8ft Staging Pack</b>			<b>EVSTA2008M</b>
Atlas staging slat 8	EV0342M	2466	3
Atlas staging Arm 18	EV0346M	505	5
Diagonal Staging Support	EV0349M	700	3
Small Bracket	HE300M	-	7
M6 Bolt (Stainless Steel)	HE576	10	25
M6 Nut (Stainless Steel)	HE579	-	25
25mm Pan Poz	EV0331	25	10

20" 10ft Staging Pack			EVSTA2010M
Atlas staging slat 10	EV0343M	3096	3
Atlas staging Arm 18	EV0346M	505	6
Diagonal Staging Support	EV0349M	700	4
Small Bracket	HE300M	-	8
M6 Bolt (Stainless Steel)	HE576	10	30
M6 Nut (Stainless Steel)	HE579	-	30
25mm Pan Poz	EV0331	25	12
<b>20" 12ft Staging Pack</b>			<b>EVSTA2012M</b>
Atlas staging slat 12	EV0344M	3726	3
Atlas staging Arm 18	EV0346M	505	7
Diagonal Staging Support	EV0349M	700	5
Small Bracket	HE300M	-	9
M6 Bolt (Stainless Steel)	HE576	10	35
M6 Nut (Stainless Steel)	HE579	-	35
25mm Pan Poz	EV0331	25	14

# Packing List

25" Evolution Atlas Staging			
Description	Part No.	Length	Quantity
<b>25" 4ft Staging Pack</b>			<b>EVSTA2504M</b>
Atlas staging slat 4	EV0340M	1206	4
Atlas staging Arm 25	EV0347M / HE902M	650	3
Diagonal Staging Support	EV0350M	850	1
Small Bracket	HE300M	-	5
M6 Bolt (Stainless Steel)	HE576	10	18
M6 Nut (Stainless Steel)	HE579	-	18
25mm Pan Poz (Stainless Steel)	EV0331	25	6
<b>25" 6ft Staging Pack</b>			<b>EVSTA2506M</b>
Atlas staging slat 6	EV0341M	1836	4
Atlas staging Arm 25	EV0347M / HE902M	650	4
Diagonal Staging Support	EV0350M	850	2
Small Bracket	HE300M	-	6
M6 Bolt (Stainless Steel)	HE576	10	24
M6 Nut (Stainless Steel)	HE579	-	24
25mm Pan Poz (Stainless Steel)	EV0331	25	8
<b>25" 8ft Staging Pack</b>			<b>EVSTA2508M</b>
Atlas staging slat 8	EV0342M	2466	4
Atlas staging Arm 25	EV0347M / HE902M	650	5
Diagonal Staging Support	EV0350M	850	3
Small Bracket	HE300M	-	7
M6 Bolt (Stainless Steel)	HE576	10	30
M6 Nut (Stainless Steel)	HE564	-	30
25mm Pan Poz (Stainless Steel)	EV0331	25	10

<b>25" 10ft Staging Pack</b>			<b>EVSTA2510M</b>
Atlas staging slat	EV0343M	3096	4
Atlas staging Arm 25	EV0347M / HE902M	650	6
Diagonal Staging	EV0350M	850	4
Small Bracket	HE300M	-	8
M6 Bolt (Stainless	HE576	10	36
M6 Nut (Stainless	HE579	-	36
25mm Pan Poz (Stainless Steel)	EV0331	25	12
<b>25" 12ft Staging Pack</b>			<b>EVSTA2512M</b>
Atlas staging slat	EV0344M	3726	4
Atlas staging Arm 25	EV0347M / HE902M	650	7
Diagonal Staging	EV0350M	850	5
Small Bracket	HE300M	-	9
M6 Bolt (Stainless	HE576	10	42
M6 Nut (Stainless	HE579	-	42
25mm Pan Poz (Stainless Steel)	EV0331	25	14
<b>25" 8ft Extension Staging Pack</b>			<b>EVSTA258XM</b>
Atlas staging slat 8	EV0345M	2519	4
Atlas staging Arm 25	EV0347M / HE902M	650	4
Diagonal Staging	EV0350M	850	4
Atlas staging Arm	EV0353M	622	1
Small Bracket	HE300M	-	7
M6 Bolt (Stainless	HE576	10	25
M6 Nut (Stainless	HE579	-	25
25mm Pan Poz (Stainless Steel)	EV0331	25	11



Notes...



**Alton Greenhouses**, TGP Ltd, Blythe Park, Cresswell, Stoke-on-Trent, ST11 9RD

Telephone: 01782 385 409 [www.Altongreenhouses.co.uk](http://www.Altongreenhouses.co.uk) [sales@altongreenhouses.co.uk](mailto:sales@altongreenhouses.co.uk)