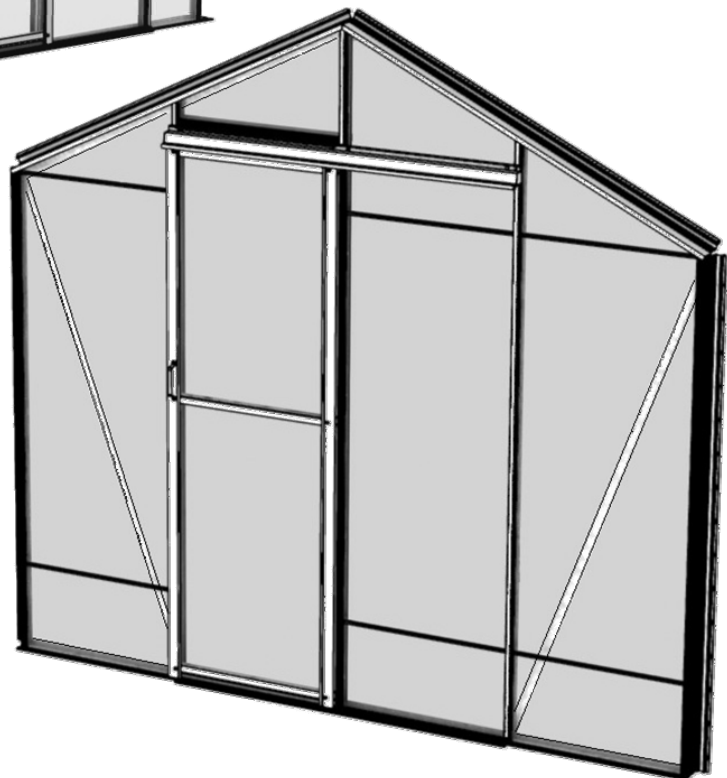
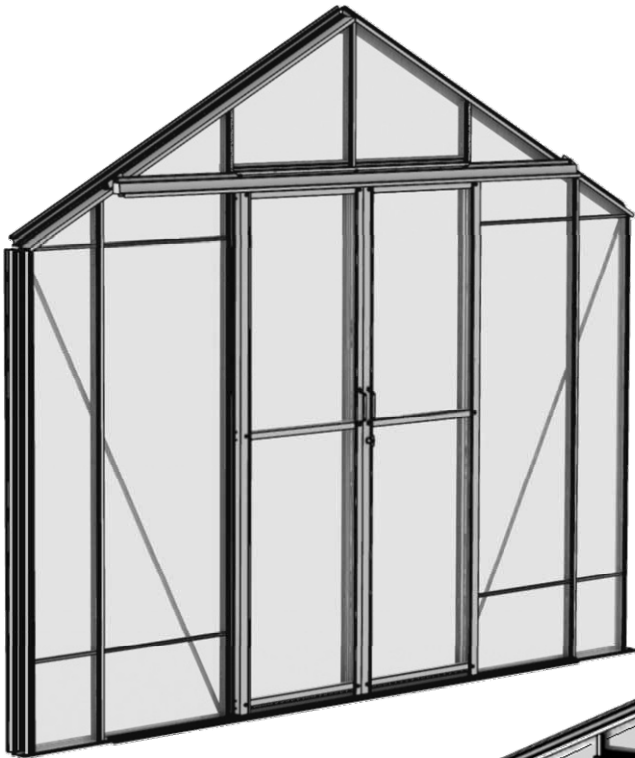


**Robinsons**  
ALUMINIUM GREENHOUSES

# Partition Assembly Instructions



Issue 3



Thank you for purchasing your new Robinsons greenhouse. We recommend you familiarise yourself with the instructions and read all safety information before you commence assembly. This instruction manual is also available online at [www.robinsongreenhouses.co.uk](http://www.robinsongreenhouses.co.uk) in our technical help section should you need to reprint it. Should you require any additional advice you can always call us on 01782 385409.

These instructions are to be used in conjunction with the main instruction manual (read them before this manual):

### Safety Warning

- Glass and aluminium can potentially cause injury. Please ensure you wear protective goggles, gloves, headgear and suitable footwear when assembling and glazing the building.
- Please remember that glass is fragile and should be handled with extreme care. Always clear up and dispose of any breakages immediately.
- Do not assemble the greenhouse in high winds.
- For safety reasons and ease of assembly, we recommend that this greenhouse is assembled by a minimum of two people.
- Please clear all lying snow from the greenhouse roof as it can cause the roof to buckle or collapse.

### Site Preparation

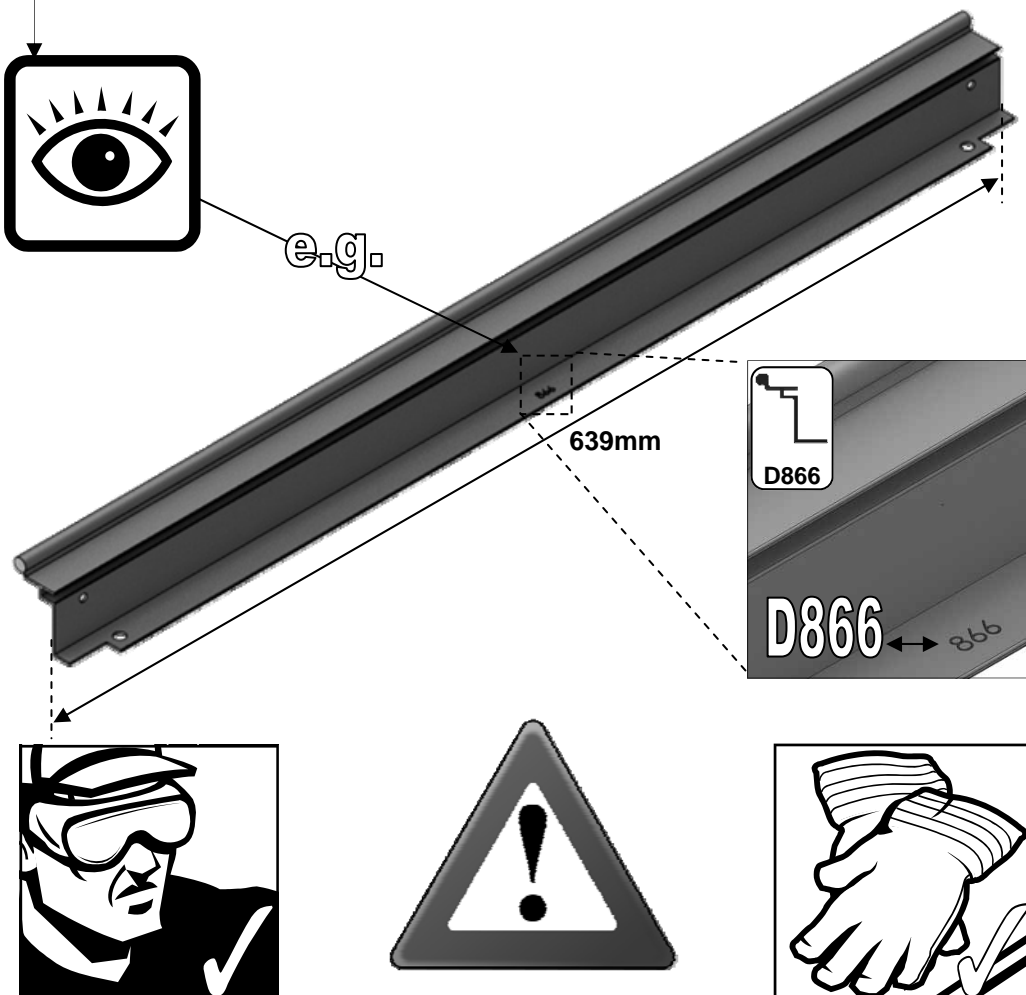
- When selecting a site for your greenhouse, it is vital that you choose as flat and level an area as possible.
- A concrete or slabbed base will provide the most solid foundation for your greenhouse.
- **IMPORTANT:** Do **not** fix your building down until the building is fully assembled, including glazing.
- Avoid placing your greenhouse under trees or in other vulnerable locations.
- To minimise the risk of wind damage, try to select as sheltered a site as possible, e.g. beside a hedgerow or garden fence.

### Additional Considerations

- Please bear in mind that assembling your greenhouse can be time consuming. You may need to spread the construction over two or more days. We recommend that you avoid leaving the building partially glazed. If you ever have to leave your greenhouse half assembled and not anchored down, weigh it down with slabs or bags of sand to stop the wind moving it.
- You will find it helpful to prepare a large, clean and clear area in which to work in. A garage floor or flat lawn area is ideal.
- If you have arranged for someone to install your greenhouse for you, please check that all components are included. Some parts are numbered and can be identified by a stamped or hand written number (without the 'D'). Alternatively, the components can be identified by their distinctive profiles, lengths and quantities detailed in the parts list.
- Anchoring down your greenhouse should be the final stage of construction (including glazing).
- Once installed your greenhouse requires little maintenance, but to maintain the smooth running of your door(s) WD40 or similar can be applied to the door wheels and lower door guides.

### Guarantee

- Your new Robinsons greenhouse is guaranteed for 10 years against faulty manufacture of the framework. This does not include glazing, moving parts, accidental damage or wind damage.

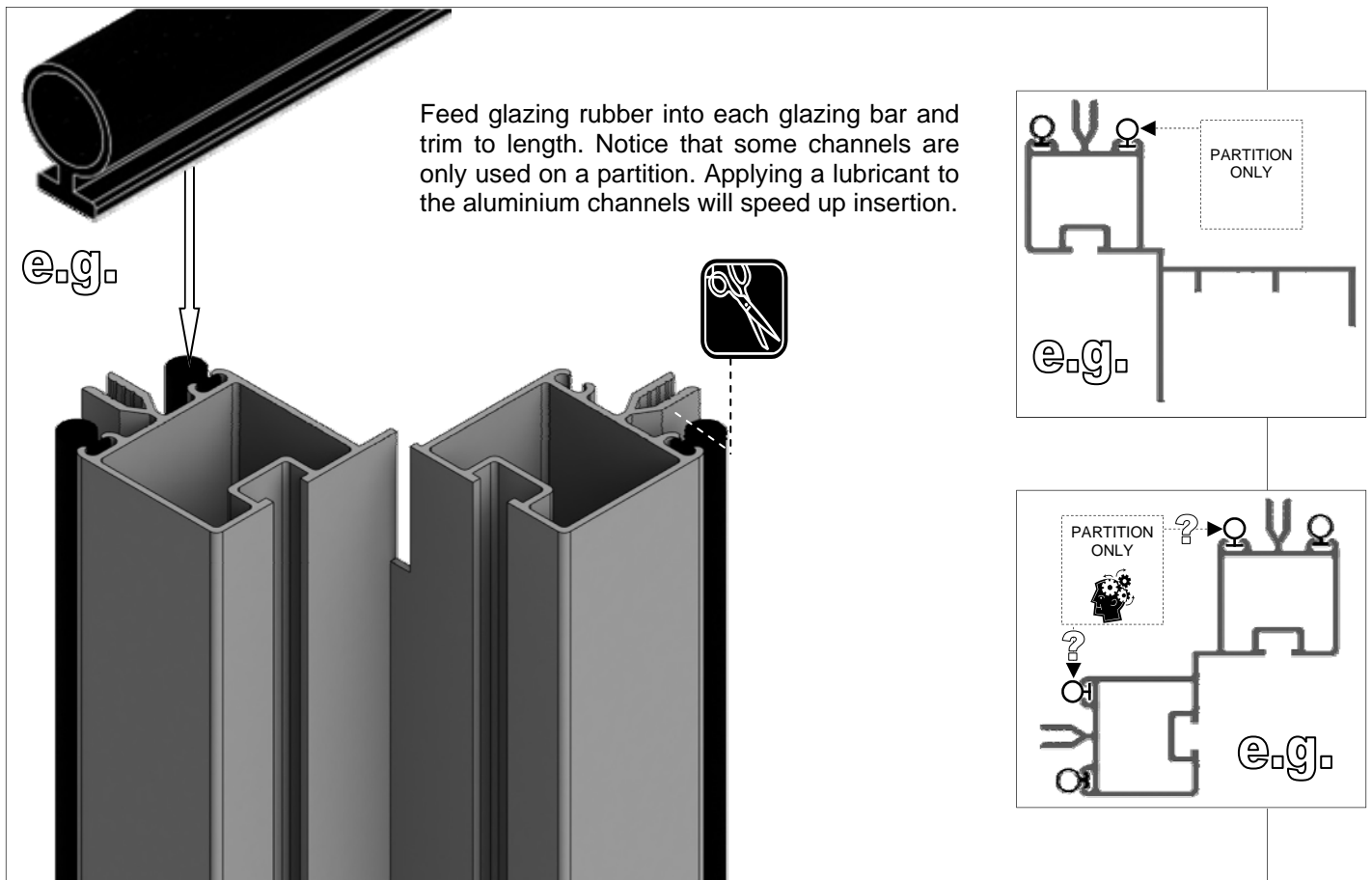
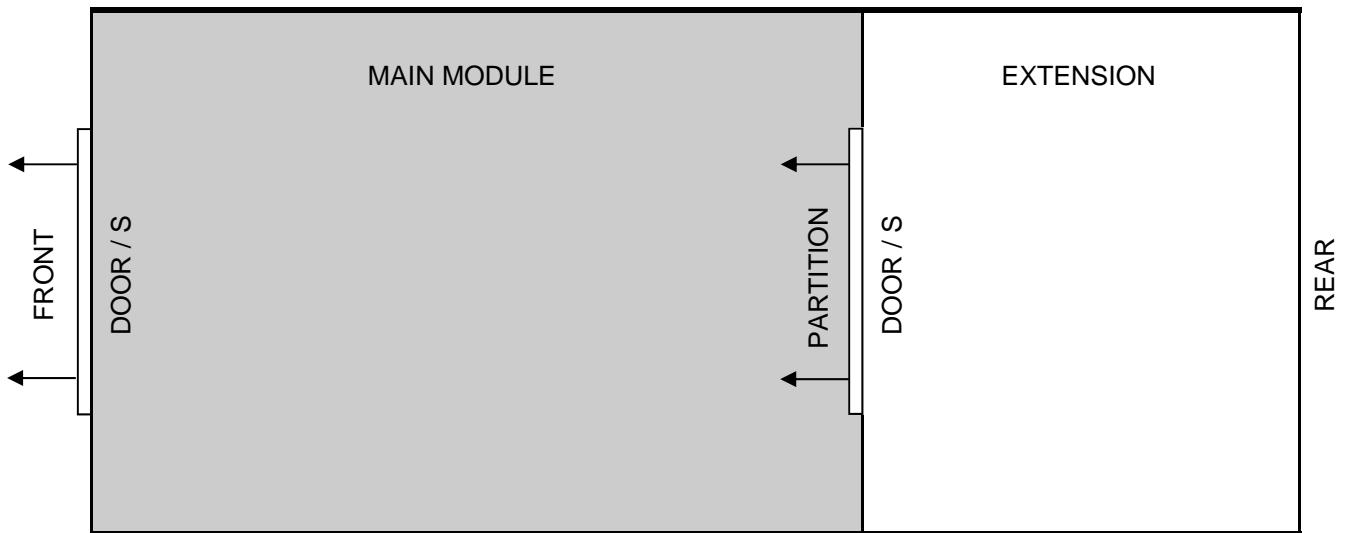


KEY SYMBOL	KEY DESCRIPTION
	EXTERNAL VIEW
	INTERNAL VIEW
	THINK
	CORRECT
	TAKE EXTRA CARE
	CUT TO LENGTH

## PARTITIONS

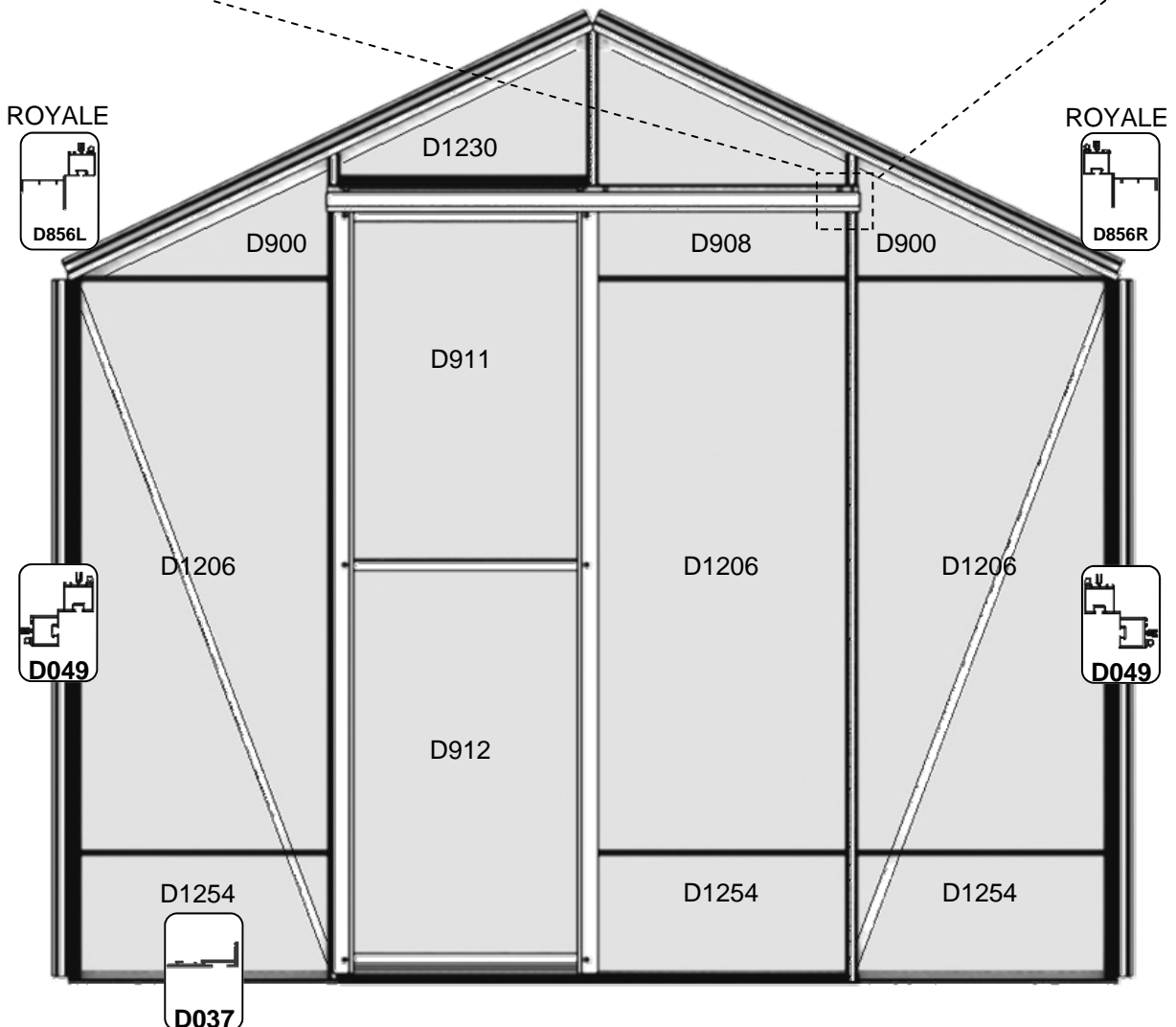
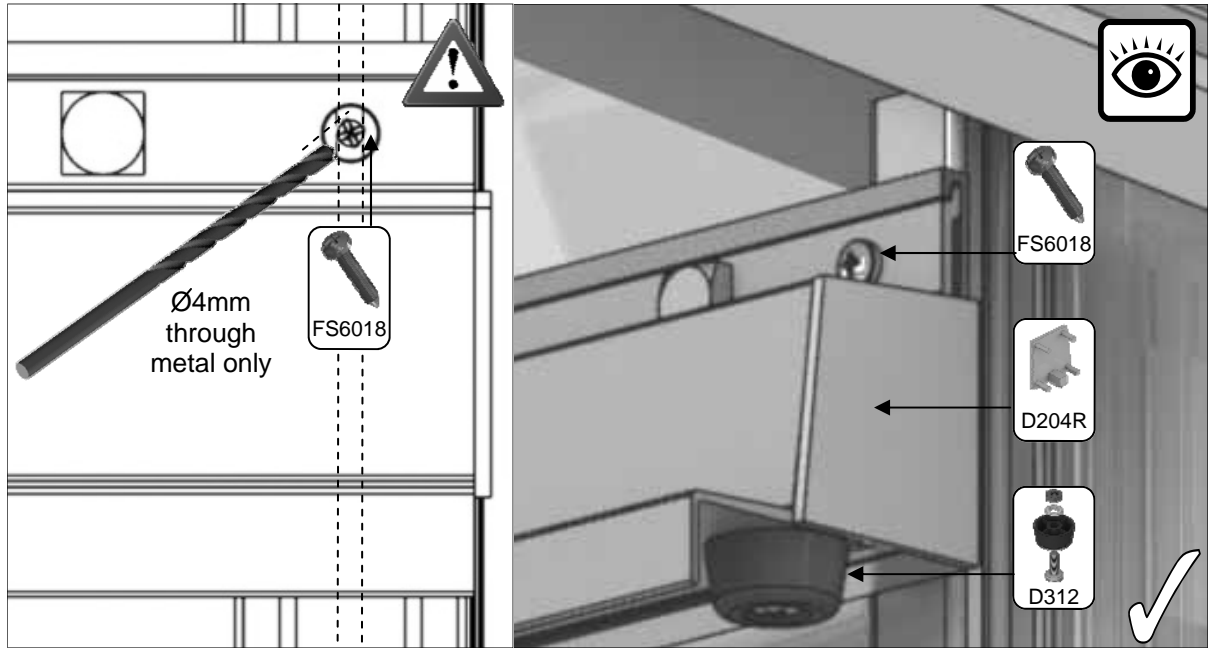
Partitions may be fitted at any glazing bar position in the greenhouse. It is advisable to **complete** the partition including glazing before the rest of the structure to make its fitting more straight forward as you will have more space to work.

Unlike the main building where you construct the gables whole and attach them it is better with a partition to build it in situ, i.e. build up the partition around the adjoining frame utilising the specially slotted side and roof corner bars. The slot allows the ridge, gutter and base rail to pass through. Make sure that you orientate the bars the correct way around to match the front of your building. If however the partition is required on a joint between a main building and extension module, the reinforcing A-frame normally fitted between two building sections is no longer used. It is imperative in this situation that the partition faces the main building checking that you have maintained the 620mm hole spacing's required for the glass to successfully fit. (See diagram).



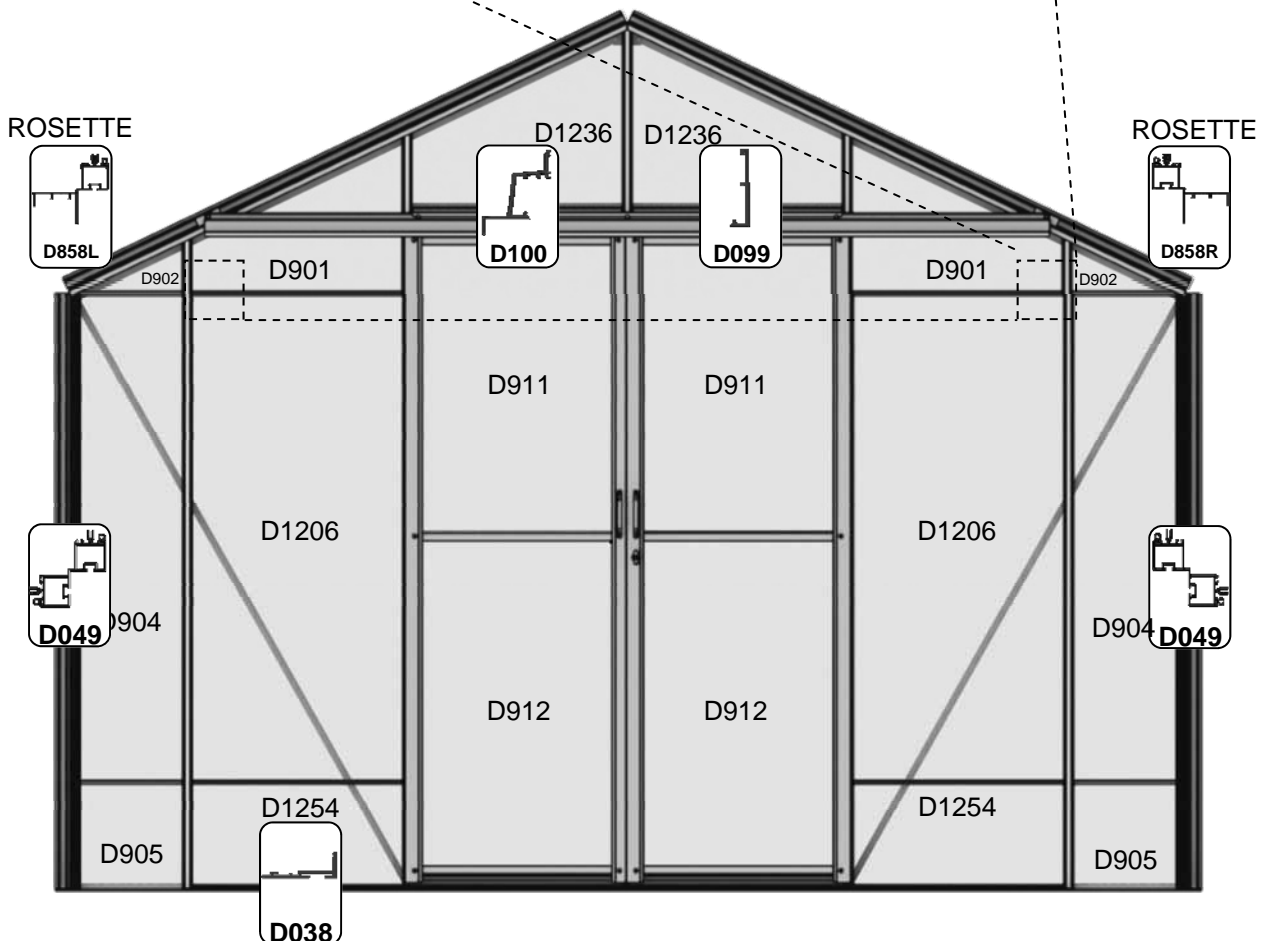
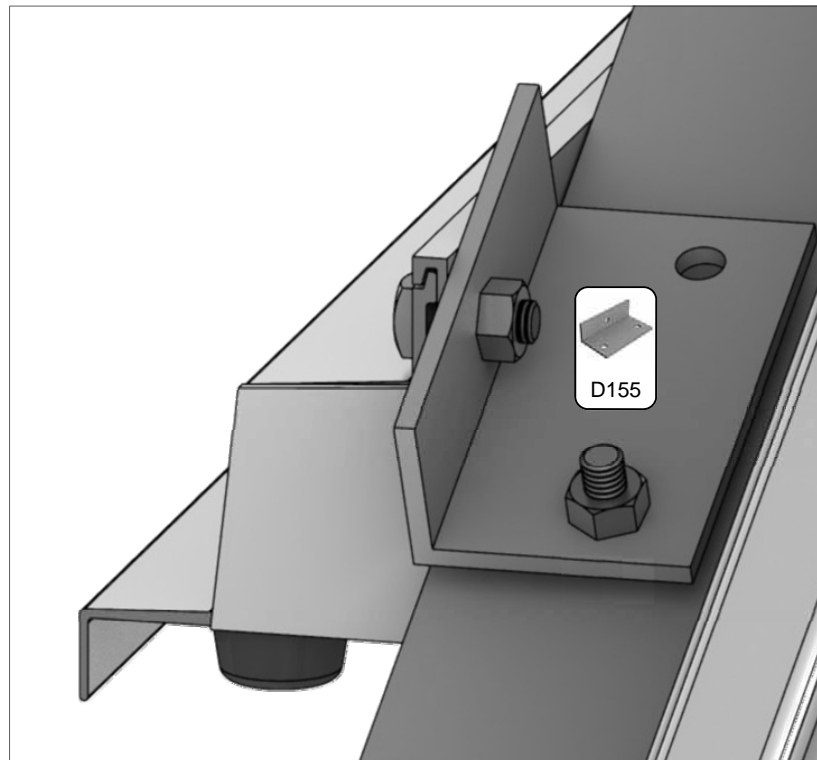
## Royale 8ft model single door and Rosette 10ft model single door

Construct as for rear end. Because the door is plain (no handle or lock fitted), it can be made to slide in either direction. NB. Door can be fitted in either middle bay. After deciding which way you prefer, glaze the gable end, leaving the two top shapes. Fit single header to track (inner and outer) and position on top of door posts. Secure with attachment plates using a special double one between the two. You can then complete the glazing not forgetting the 'Z' trim. Make up the door drilling two 6mm holes for the handles in the side required.



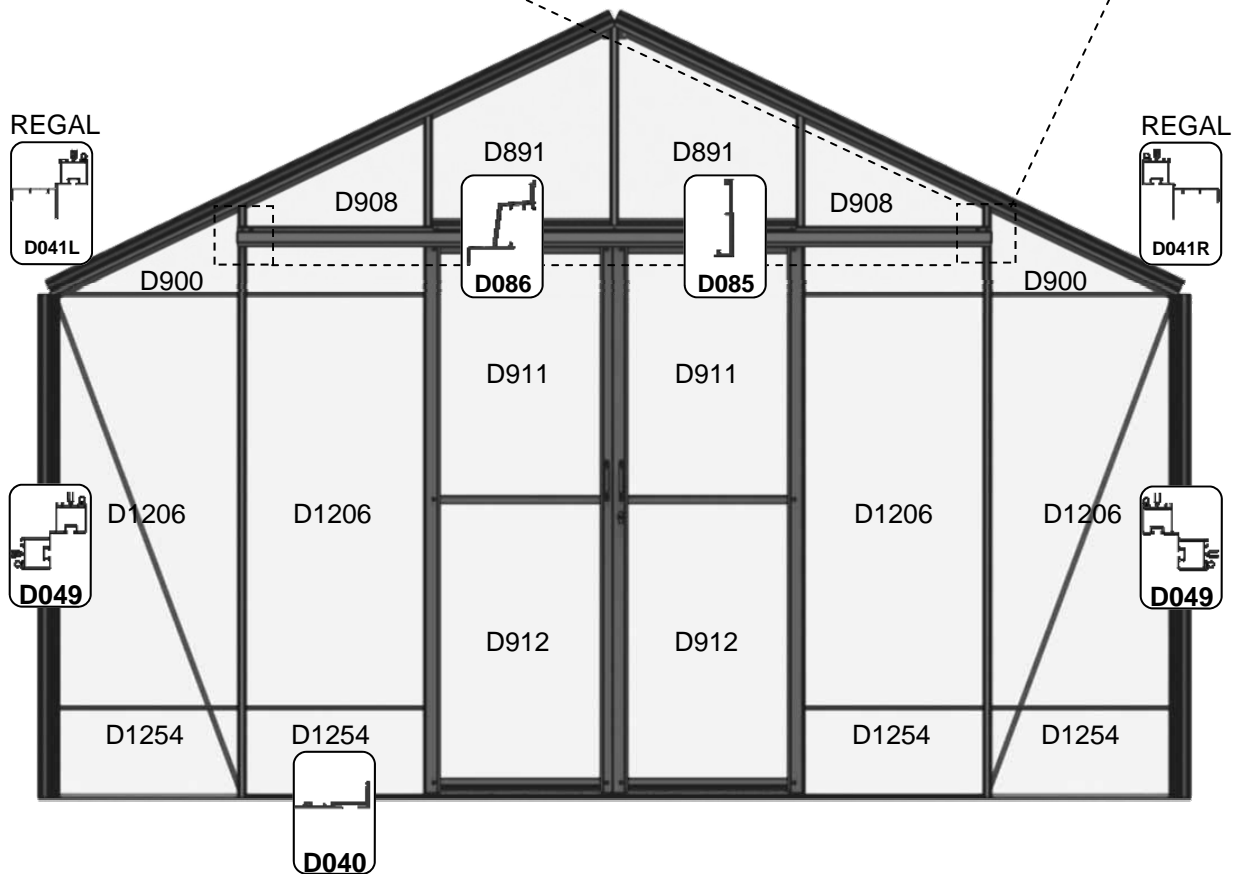
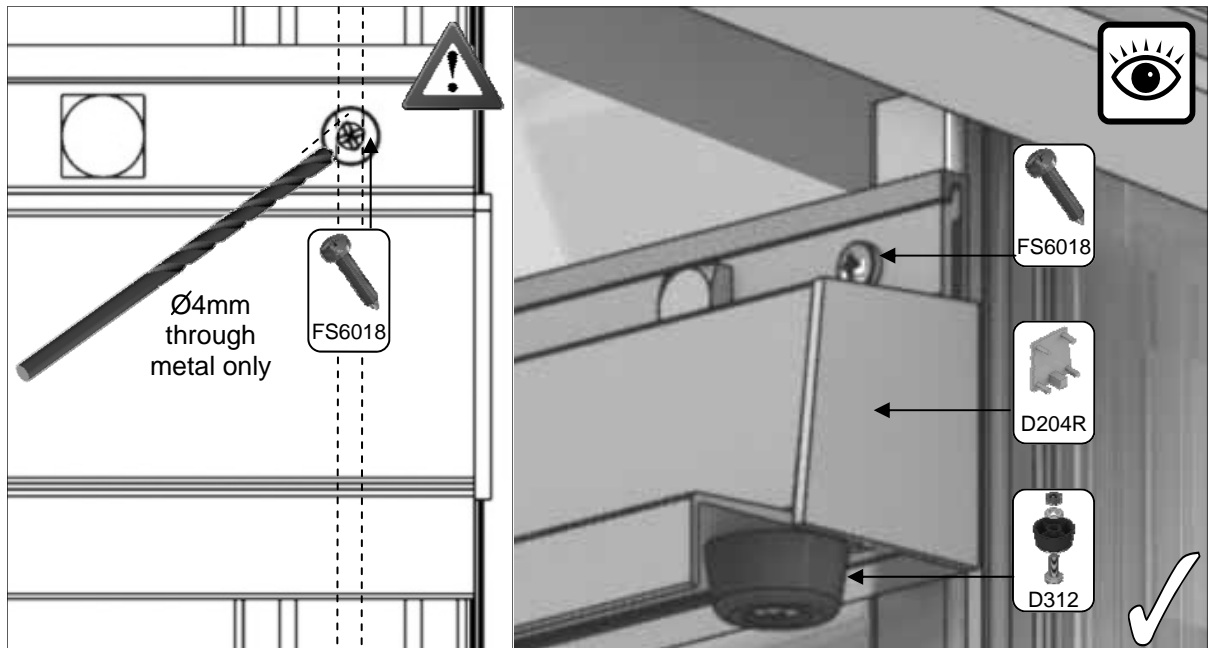
**Rosette 10ft model double door (not DWARF version where the door track attaches as per opposite page)**

NOTE: Doors must be slid into the top track and erected as a complete unit. Glaze as for door end. Assemble inner and outer shortened partition door tracks and header. Identify special door track support angles D155 and fit to roof end bars, then fit door track to these. Slide door on as you go. Glazing can then be completed above the door. It would be advisable to complete all this work before glazing the main structure.



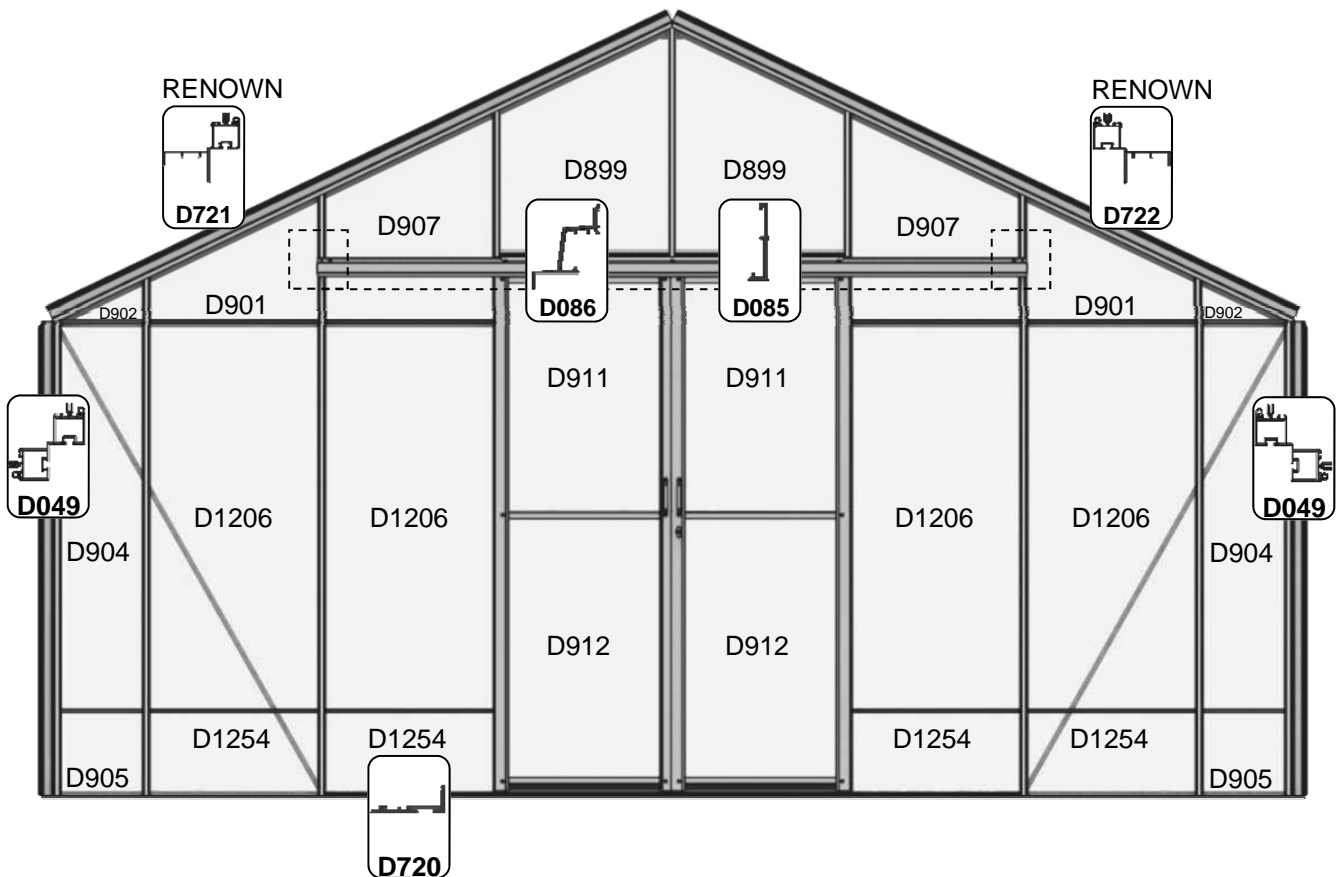
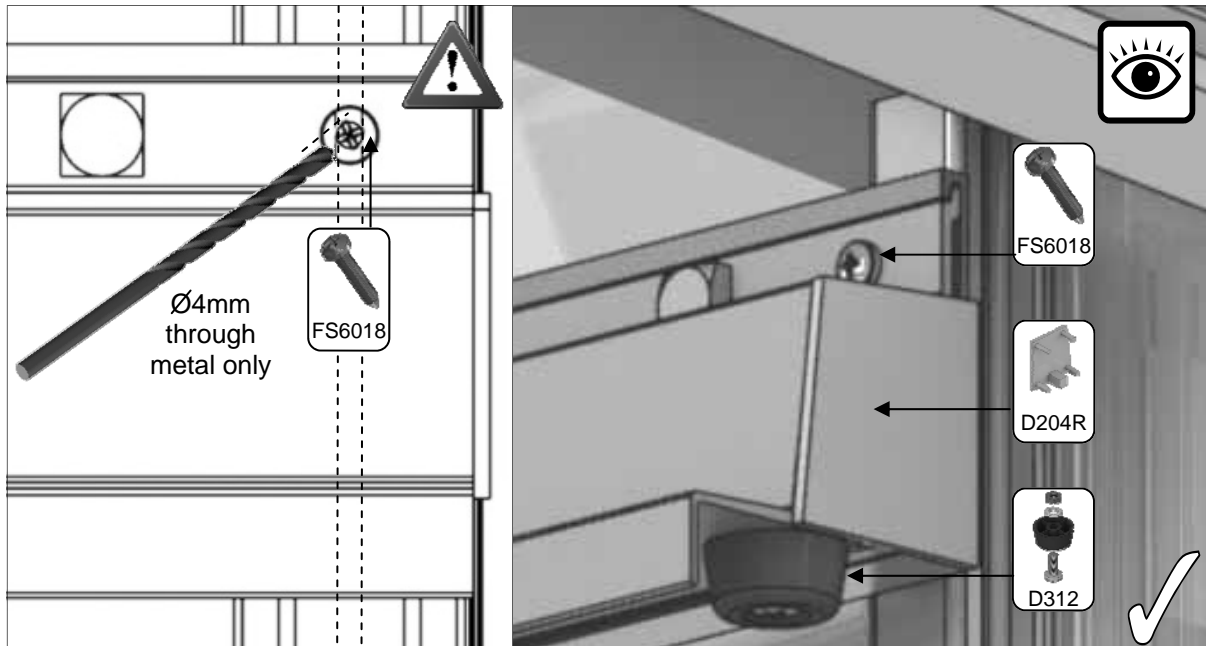
## Regal 12ft model double door

NOTE: Doors must be slid into the top track and erected as a complete unit. Slide door on as you go. Glazing can then be completed above the door. It would be advisable to complete all this work before glazing the main structure.



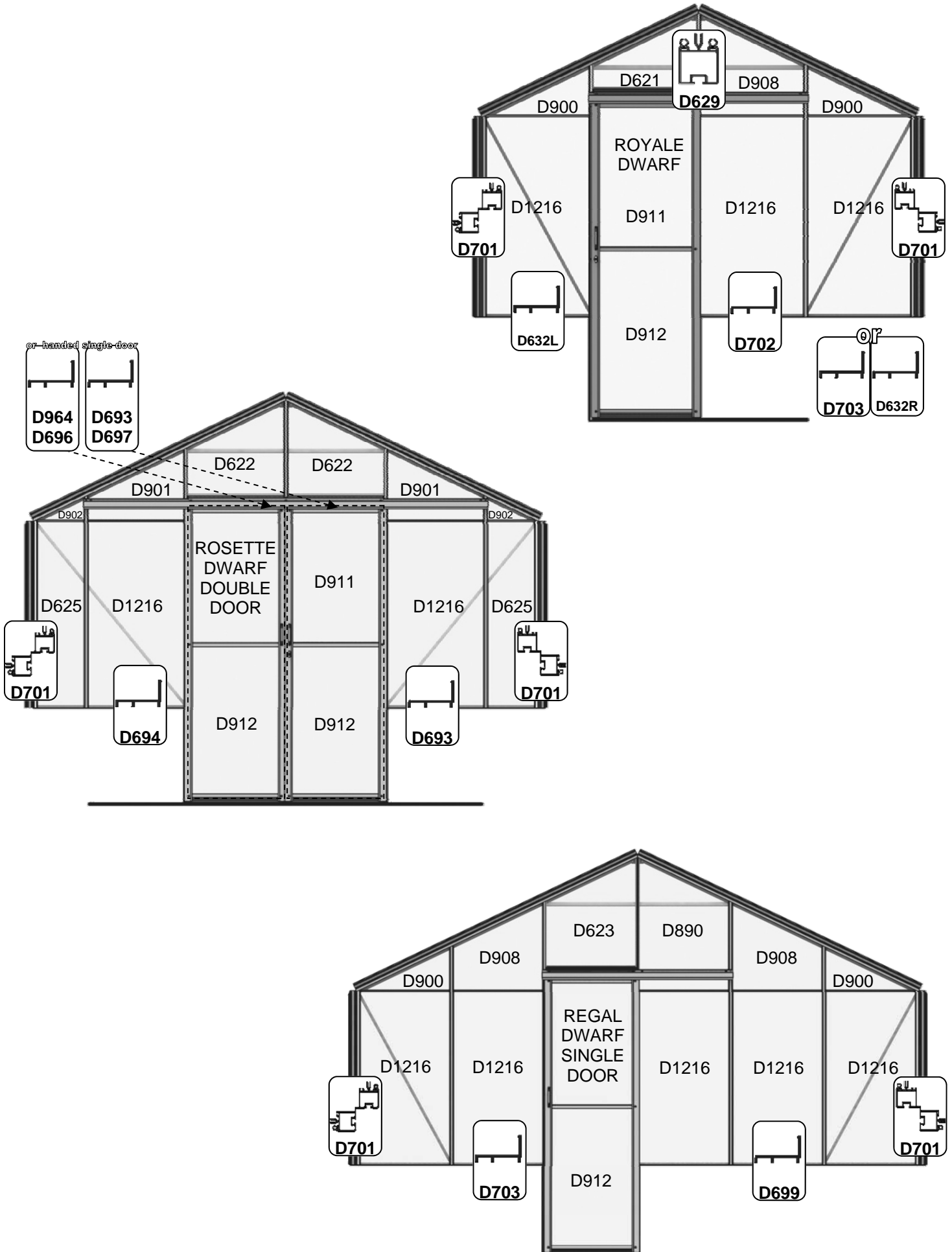
## Renown 14ft model double door

NOTE: Doors must be slid into the top track and erected as a complete unit. Slide door on as you go. Glazing can then be completed above the door. It would be advisable to complete all this work before glazing the main structure.

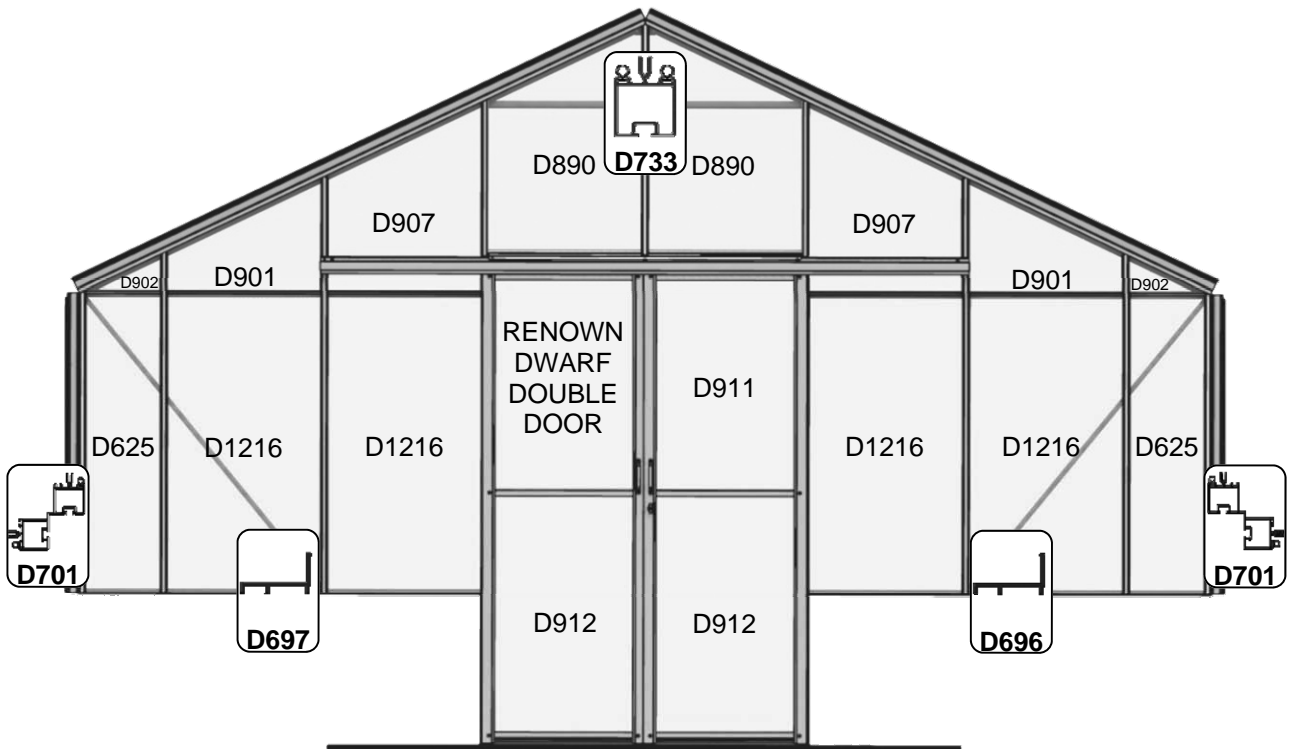
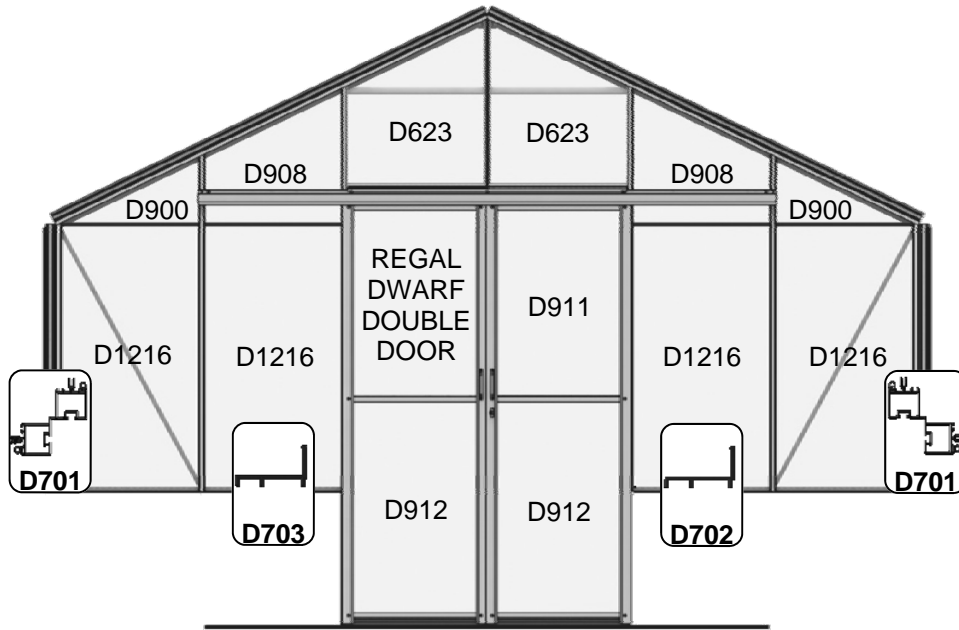


## DWARF WALL variations

NOTE: On single doors the cills are handed, see variations to what is shown near relevant diagrams.

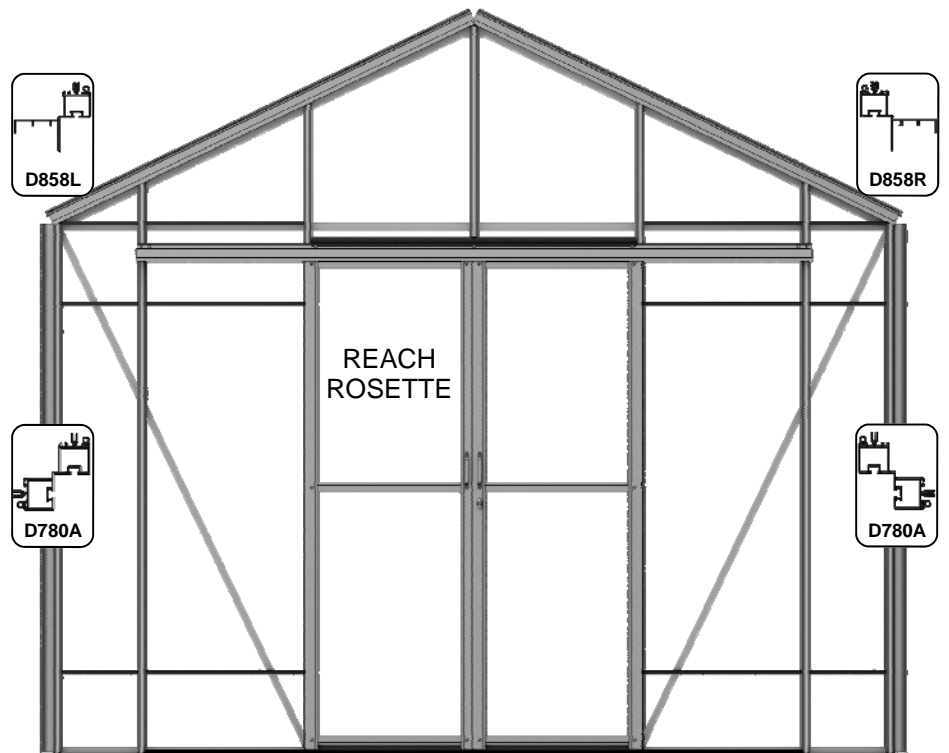
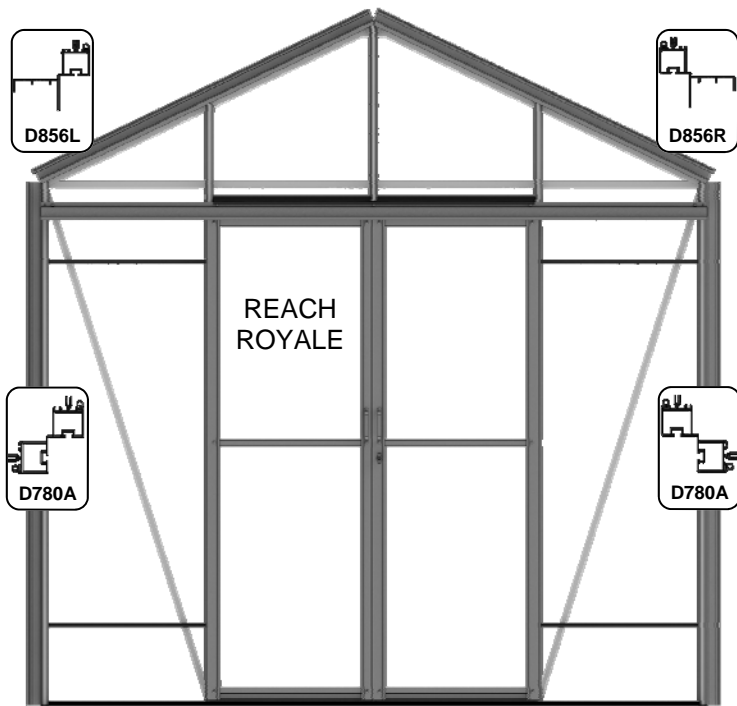






## REACH variations

NOTE: Doors must be slid into the top track and erected as a complete unit. Glaze as for door end. It is advisable to complete all this work before glazing the main structure.



## Robinsons shelf / staging

If you wish your shelf / staging to go right up to the front of a partition then a D2056/G is required so that you can drill and mount the brackets and bracings, see below. Prior to adjoining the shelf / staging the D2056/G needs to be drilled and mounted between the gutter and the cill. It is also necessary to reduce the length of the aluminium slats so that they do not interfere with the partition glazing (best to use a set-square and hacksaw). This is not an issue to the rear of the partition as there is a bolt slot present to allow for attachment.

On the REACH models the longer 1990mm version of the part is coded D2070/G.



Please be aware that this is a multi-national manual, if you spot any errors or have any constructive comments regarding the manual please email james.spooner@greenhousepeople.co.uk and I will make the necessary amendments. Whilst the information contained in this booklet is accurate at the time of publication, changes in the course of Robinsons policy of improvement through development and design might not be indicated. We point out this fact to avoid any infringements of the Trade Descriptions Act and also to advise that Robinsons Greenhouses reserve the right to change specifications and materials without prior notice.

In addition any photographs of completed buildings would be most appreciated to add to our portfolio.

THIS GREENHOUSE BOX WAS PACKED BY:

DATE: \_\_\_\_\_

\_\_\_\_\_