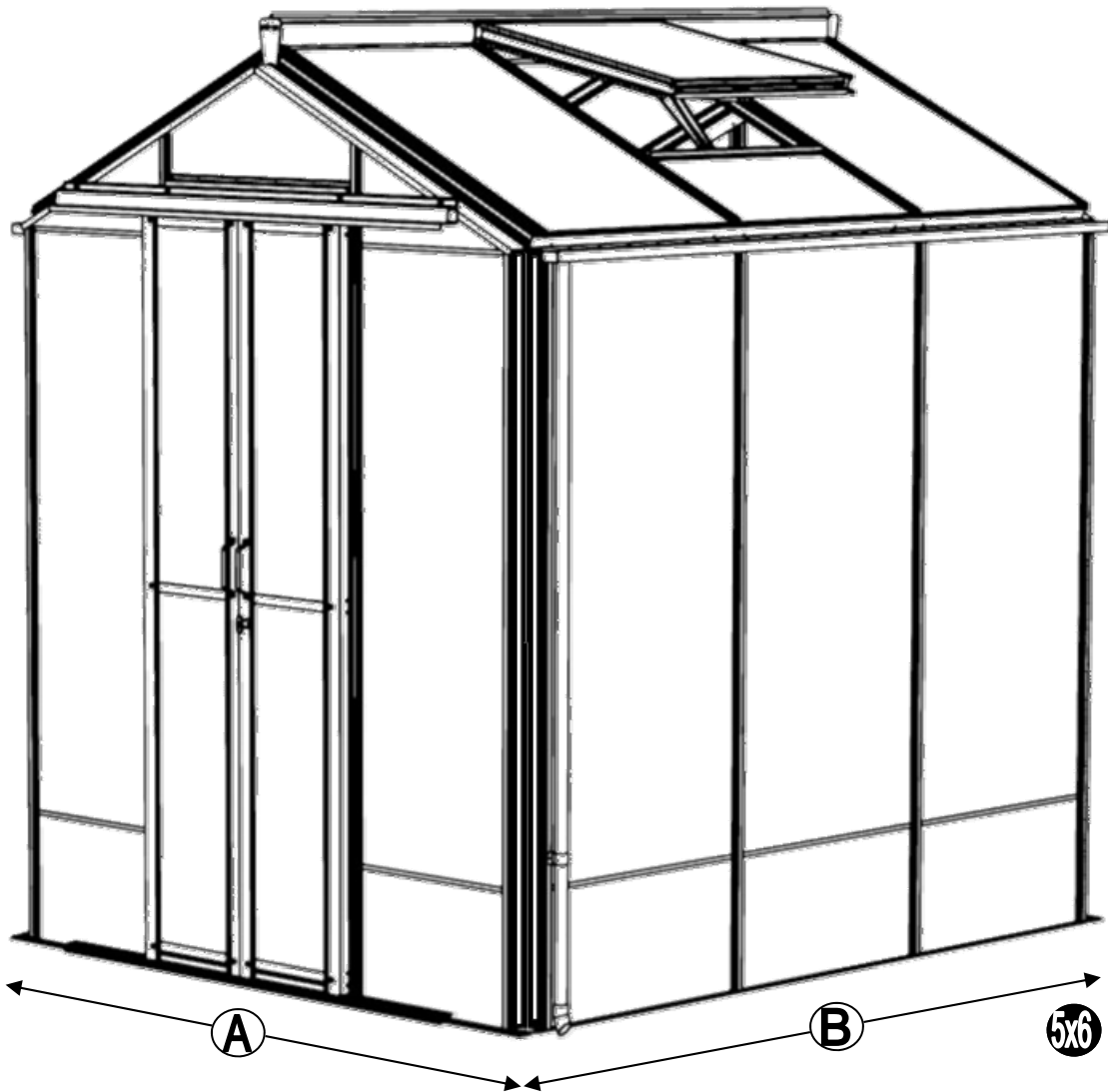


Regatta Assembly Instructions



| NOMINAL SIZE | A (mm) | B (mm) |
|--------------|--------|--------|
| 5 x 4 | 1662 | 1392 |
| 5 x 6 | | 2012 |
| 5 x 8 | | 2632 |
| 5 x 10 | | 3252 |
| 5 x 12 | | 3872 |



Thank you for purchasing your new Robinsons greenhouse. We recommend you familiarise yourself with the instructions and read all safety information before you commence assembly. This instruction manual is also available online at www.robinsonsgreenhouses.co.uk in our technical help section should you need to reprint it. Should you require any additional advice you can always call us on 01782 385409.

These instructions are divided into sections highlighted by a white number/letter on a black background at the bottom corner of most pages (see opposite page for details); **part lists**, **B**-base, **P**-preparation, **1**-sides, **2**-front gable, **3**-rear, **4**-joining the four sides together, **5**-roof, **6**-vent, **7**-door, **8**-glazing, **9**-vent attachment, **10**-door attachment, **11** anchoring down, **12** optional louvre, **13** optional shelf, **14** optional staging, **15** finishing touches. If you need to contact us for assistance please refer to the relevant section/s. If your building is longer than 12', i.e. has an extension then please also refer the separate extension manual.

Safety Warning

- Glass and aluminium can potentially cause injury. Please ensure you wear protective goggles, gloves, headgear and suitable footwear when assembling and glazing the building.
- Please remember that glass is fragile and should be handled with extreme care. Always clear up and dispose of any breakages immediately.
- Do not assemble the greenhouse in high winds.
- For safety reasons and ease of assembly, we recommend that this greenhouse is assembled by a minimum of two people.
- Please clear all lying snow from the greenhouse roof as it can cause the roof to buckle or collapse.

Site Preparation

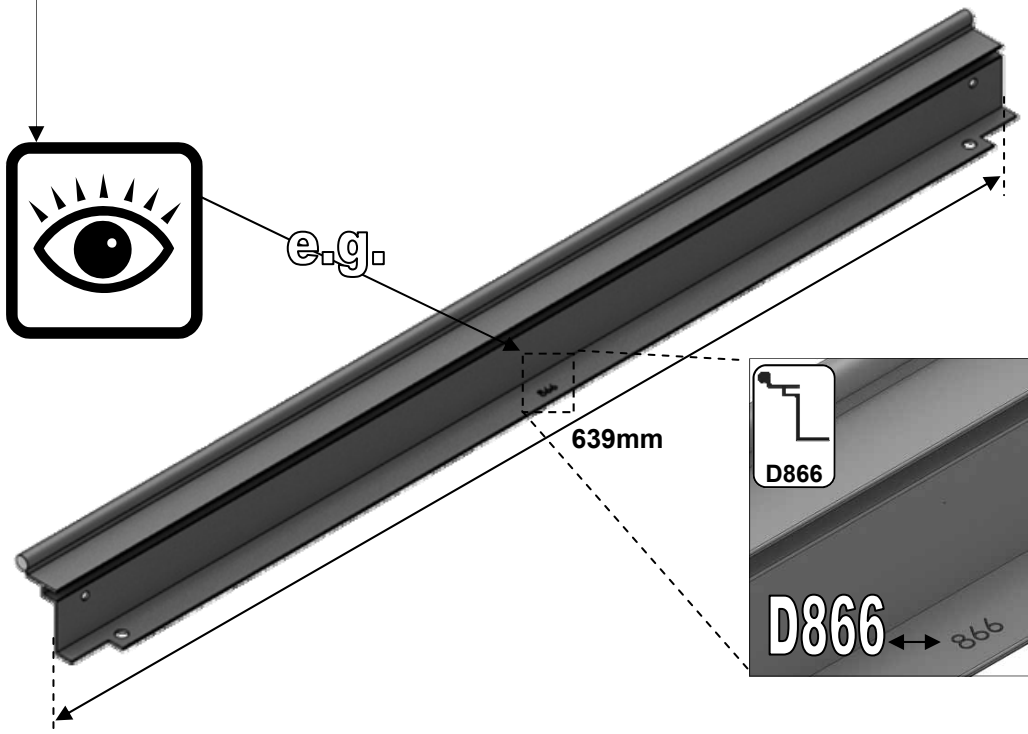
- When selecting a site for your greenhouse, it is vital that you choose as flat and level an area as possible.
- A concrete or slabbed base will provide the most solid foundation for your greenhouse.
- **IMPORTANT:** Do **not** fix your building down until the building is fully assembled, including glazing.
- Avoid placing your greenhouse under trees or in other vulnerable locations.
- To minimise the risk of wind damage, try to select as sheltered a site as possible, e.g. beside a hedgerow or garden fence.

Additional Considerations

- Please bear in mind that assembling your greenhouse can be time consuming. You may need to spread the construction over two or more days. We recommend that you avoid leaving the building partially glazed. If you ever have to leave your greenhouse half assembled and not anchored down, weigh it down with slabs or bags of sand to stop the wind moving it.
- You will find it helpful to prepare a large, clean and clear area in which to work in. A garage floor or flat lawn area is ideal.
- If you have arranged for someone to install your greenhouse for you, please check that all components are included. Some parts are numbered and can be identified by a stamped or hand written number (without the 'D'). Alternatively, the components can be identified by their distinctive profiles, lengths and quantities detailed in the parts list (see next page).
- Anchoring down your greenhouse should be the final stage of construction (including glazing).
- Once installed your greenhouse requires little maintenance, but to maintain the smooth running of your door(s) WD40 or similar can be applied to the door wheels and lower door guides.

Guarantee

- Your new Robinsons greenhouse is guaranteed for 10 years against faulty manufacture of the framework. This does not include glazing, moving parts, accidental damage or wind damage.






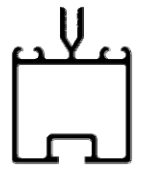


| KEY SYMBOL | KEY DESCRIPTION |
|------------|---|
| | EXTERNAL VIEW |
| | INTERNAL VIEW |
| | THINK |
| | THIS SECTION RELATES TO ANOTHER (e.g. 1 to 5) |
| | CORRECT |
| | DO <u>NOT</u> FIX DOWN! |
| | TWIST TO LOCK |
| | TIGHTEN |
| | PUSH AND HOLD |
| | CUT TO LENGTH |




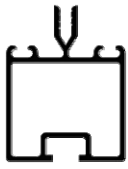

| SECTION No | TITLE | ASSEMBLY SYNOPSIS: IMPORTANT INFORMATION / CONSIDERATIONS |
|------------|------------------------|---|
| | PARTS LIST | Most components should have a 'D' code punched into their metal surface. Identify and separate all like for like components prior to assembly. The 'parts list' also separates parts into the various sections shown below. Parts can also be identified by their profile pictures and stated lengths etc.. |
| B | BASE | Base dimensions and recommendations. Ensure that your base is level as this will make assembly of the building, especially the glazing of the roof much more straight forward. |
| P | PREPARATION | Tools required. IMPORTANT: Use WD40 or similar in the glazing bar channels and insert the black glazing rubber prior to frame assembly. |
| 1 | SIDES | Take the side glazing bars 'D066' with the rubber inserted and the diagonal braces 'D103', use 10mm bolts to join them to the gutter and 15mm bolts to the cills (note how the head of the bolts slide into each glazing bar during construction). |
| 2 | FRONT | Again ensuring that the gable framework is rubbered-up follow the diagrams to assemble each end of the building. Make sure that you have inserted the extra bolts utilised in sections 4, 5 and 10. On the roof and side corner bars not every rubber channel will require rubber unless it is to be utilised in a partition (see separate manual and section P). |
| 3 | REAR | |
| 4 | JOINING THE FOUR SIDES | Take the two sides (1) and both gables (2 & 3) and join them together on your base. It is a good idea to tie some ladders to the sides to support them if you do not have anyone to hold them for you. |
| 5 | ROOF | Attach the ridge and then the rubbered-up roof bars ensuring that they are fully butted up to the ridge and down onto the gutter. If you have <u>cresting</u> then it is a good idea to fit it before glazing, see section (15). |
| 6a | VENT | Once the vent is glazed add silicone to the vent sides and top. Stand the vent/s on their hinge (vent top) and then leave the silicone to set. |
| 6b | VENT SLAM | The slam bar 'D079' can be moved up and down between the roof glazing bars so that it can be butted down onto the pane of glass beneath, the autovent will be attached to it later on (9). |
| 7 | DOOR | Construct the door using the diagrams and then leave to one side ready for attachment in section (10). |
| 8 | GLAZING | Layout the bar capping and covers around the building like a sundial checking that all is present and correct. You can also place the roof capping in the gutters so they are closer to hand. The glass in the sides has to bevel on the black separator strip which is on top of the 305mm high glass base panels. This bevelling action allows the glass to tuck underneath the gutter canopy. Use the capping and the self tapping screws to then hold the glass in place. The covers then enclose the screw heads giving a neat finish. A top tip is to not attach the door post capping (D766/D767) until you have fitted the door runner and threshold (10) to give you more room to manoeuvre. It is a good idea to glaze two roof sections first to ensure the building is square followed by two side sections to ensure the building isn't leaning, |
| 9 | VENT ATTACHMENT | Take the assembled vent and slide the vent hinge 'D866' into the end of the ridge allowing the vent the pivot open and closed. Vent stops go either side of the vent to stop any lateral movement (so insert stop / vent / stop). Attachment of the Bayliss XL autovents. |
| 10 | DOOR ATTACHMENT | Use the bolts inserted in section (2) to attach the upper door track. The lower door runner 'D860' and ramp threshold 'D087' push down and lock together. |
| 11 | ANCHORING DOWN | Now that the greenhouse is finished and the door and vent/s are operating without interference then you need to anchor the building down using 2" rawl plugs and screws. Use a 7mm masonry bit in a hammer drill to create the holes. |
| 12 | OPTIONAL LOUVRE | They attach to the building during the glazing process (8) like a piece of glass with a black separator above and below them. |
| 13 | OPTIONAL SHELIVING | Robinsons integral cantilever staging and shelving attaches to the inside of the greenhouse frame using either square head bolts (insert four into each side glazing bar 'D066' during construction of the sides (1)) or rectangular 'crop head' bolts which can be fitted retrospectively (both sets of bolts accompany the shelving/staging). This system allows the height of either the staging or the shelf to be set at an operator specific height. Commonly the staging brackets are set 900mm from the cills though you can alter this to suit the end user/s. The aluminium shelf / staging slats come in two lengths; (4'):1240mm 'D2002' and (6'):1860mm 'D2003'. These slats can combine to create any length of staging required, i.e. 4'+6' = 10' etc... |
| 14 | OPTIONAL STAGING | |
| 15 | FINISHING TOUCHES | Now that the main body of the structure is complete you can add; ridge caps, downpipe fittings, eave bungs. Images showing cresting and finial attachment, this is often easiest to do after section (5) rather than using the vent apertures later on (i.e. before glazing). |


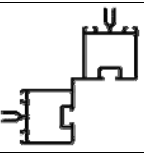
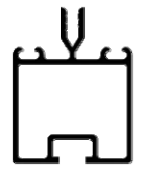

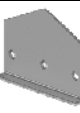
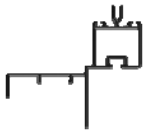


| Section Ref | Part No. | Section | Size (mm) | 5 4 | 5 6 | 5 8 | 5 10 | 5 12 |
|-------------|----------|---------|-----------|-----|-----|-----|------|------|
|-------------|----------|---------|-----------|-----|-----|-----|------|------|






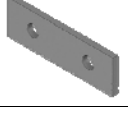


Regatta

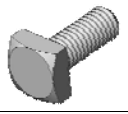
| | | | | | | | | |
|----------|---|---|------|----|----|----|----|----|
| 1 | D071 |  | 1274 | 2 | | | | |
| | D043 | | 1894 | | 2 | | | |
| | D021 | | 2514 | | | 2 | | |
| | D022 | | 3134 | | | | 2 | |
| | D023 | | 3754 | | | | | 2 |
| | D070 |  | 1277 | 2 | | | | |
| | D042 | | 1897 | | 2 | | | |
| | D014 | | 2517 | | | 2 | | |
| | D015 | | 3137 | | | | 2 | |
| | D016 | | 3757 | | | | | 2 |
| | D103 |  | 1787 | 2 | 4 | | | |
| | D066 |  | 1676 | 2 | 4 | 6 | 8 | 10 |
| RUBBER |  | 1000 (1m) | 7 | 14 | 21 | 27 | 34 | |
| D174 |  | N/A | 2 | 4 | 4 | 8 | 8 | |

| Section Ref | Part No. | Section | Size (mm) | 5 4 | 5 6 | 5 8 | 5 10 | 5 12 |
|-------------|----------|---------|-----------|-----|-----|-----|------|------|
|-------------|----------|---------|-----------|-----|-----|-----|------|------|

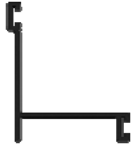


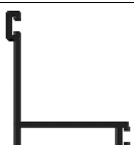

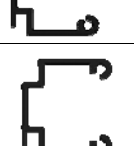
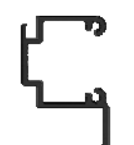

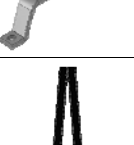

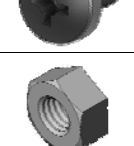


| | | | | | | | | |
|----------|--------|---|-----------|---|---|----|----|----|
| 5 | D072 |  | 1277 | 1 | | | | |
| | D044 | | 1897 | | 1 | | | |
| | D001 | | 2517 | | | 1 | | |
| | D002 | | 3137 | | | | 1 | |
| | D003 | | 3757 | | | | | 1 |
| | D752 |  | 882 | 2 | 4 | 6 | 8 | 10 |
| | RUBBER |  | 1000 (1m) | 4 | 8 | 11 | 15 | 18 |

| | | | | | | | | |
|----------------------------------|--------|---|-----------|--|--|--|----|--|
| 2 + 3 | D756 |  | 1670 | | | | 2 | |
| | D048 |  | 1676 | | | | 4 | |
| | D655 |  | 1906 | | | | 4 | |
| | D757 |  | 1738 | | | | 4 | |
| | D111 |  | N/A | | | | 2 | |
| | D750 |  | 882 | | | | 2 | |
| | D751 | | | | | | 2 | |
| | RUBBER |  | 1000 (1m) | | | | 33 | |
| | D174 |  | N/A | | | | 8 | |




| | | | | | | | | |
|----------|------------------------|---|-----|---|---|---|---|---|
| 6 | D866 |  | 639 | 1 | 1 | 2 | 3 | 4 |
| | D863L |  | 613 | 1 | 1 | 2 | 3 | 4 |
| | D863R |  | 613 | 1 | 1 | 2 | 3 | 4 |
| | D862 |  | 593 | 1 | 1 | 2 | 3 | 4 |
| | D079 PLUS FLUFF |  | 590 | 1 | 1 | 2 | 3 | 4 |
| | D114 |  | N/A | 2 | 2 | 4 | 6 | 8 |
| | D220 PLUS FS6060 SCREW |  | N/A | 2 | 2 | 4 | 6 | 8 |
| | D205 |  | N/A | 2 | 2 | 4 | 6 | 8 |

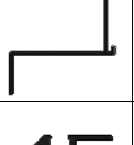

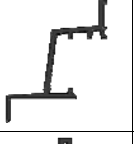
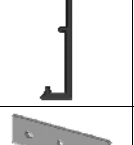
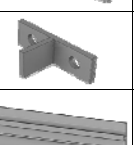
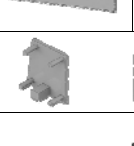
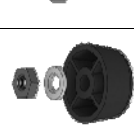

| MAIN FRAME QUANTITIES VENTS / DOORS etc SEPERATE |  | 10mm | 22 | 28 | 34 | 40 | 46 |
|---|---|------|----|----|----|----|----|
| |  | 15mm | 26 | 30 | 32 | 34 | 36 |
| |  | m6 | 48 | 58 | 66 | 74 | 82 |

| Section Ref | Part No. | Section | Size (mm) | 5 4 | 5 6 | 5 8 | 5 10 | 5 12 |
|-------------|----------|---------|-----------|-----|-----|-----|------|------|
|-------------|----------|---------|-----------|-----|-----|-----|------|------|

| | | | | | | | | |
|----------|---------------------------|---|------|--|--|-------|--|--|
| 7 | D762 + D347 lock = D764 |  | 1714 | | | 1 | | |
| | D763 + D156 strike = D765 |  | 1714 | | | 1 | | |
| | D760 |  | 1714 | | | 1 | | |
| | D761 |  | 1714 | | | 1 | | |
| | D059+ D217 wheel = D060 |  | 305 | | | 2 | | |
| | D061 |  | 305 | | | 2 | | |
| | D062 |  | 305 | | | 2 | | |
| | D233 |  | 797 | | | 8 | | |
| | P053 |  | N/A | | | 2 | | |
| | D225 |  | 610 | | | 1 CUT | | |
| | D840 B |  | 4000 | | | 1 | | |
| | D263 Pack Of 7 |  | N/A | | | 14 | | |
| | |  | N/A | | | 14 | | |
| | D260 pack | | N/A | | | 24 | | |

| Section Ref | Part No. | Section | Size (mm) | 5 4 | 5 6 | 5 8 | 5 10 | 5 12 |
|-------------|----------|---------|-----------|-----|-----|-----|------|------|
|-------------|----------|---------|-----------|-----|-----|-----|------|------|

| | | | | | | | | | |
|----------|-----|------|---|------|---|---|----|----|----|
| 8 | 1 | D812 |  | 1660 | 2 | 4 | 6 | 8 | 10 |
| | 3 | D661 | | 1906 | 2 | | | | |
| | 2 | D758 | | 117 | 2 | | | | |
| | 5 | D754 | | 892 | 2 | 4 | 6 | 8 | 10 |
| | 2/3 | D813 |  | 1675 | 4 | | | | |
| | 2 | D766 | | 1773 | 2 | | | | |
| | 1 | D834 | | 1660 | 4 | | | | |
| | 5 | D753 | | 892 | 4 | | | | |
| | 5 | D755 |  | 892 | 6 | 8 | 10 | 12 | 14 |
| | 1 | D825 | | 1660 | 6 | 8 | 10 | 12 | 14 |
| | 2/3 | D826 | | 1677 | 4 | | | | |
| | 3 | D665 | | 1908 | 2 | | | | |
| | 2 | D767 | | 1773 | 2 | | | | |
| | 2 | D759 | | 119 | 2 | | | | |

| | | | | | | | | |
|-----------|-------------|---|------|-------|--|--|--|--|
| 10 | D864 |  | 590 | 1 | | | | |
| | D860 |  | 1240 | 1 | | | | |
| | D087 |  | 587 | 1 | | | | |
| | D082 |  | 1270 | 1 | | | | |
| | D081 |  | 1270 | 1 | | | | |
| | D163 |  | 90 | 2 | | | | |
| | D150 |  | N/A | 1 | | | | |
| | D222 /B |  | 590 | 1 | | | | |
| | D204 L&R /B | | | 1 + 1 | | | | |
| | D845 | | | 2 | | | | |
| | D312 | | | 2 | | | | |

Regatta

THE DIMENSIONS BELOW ARE THE EXACT EXTERNAL BASE DIMENSIONS FOR THE ROBINSONS RANGE.

We cannot emphasize how important it is to have a proper base for your Robinsons Greenhouse to be erected upon.

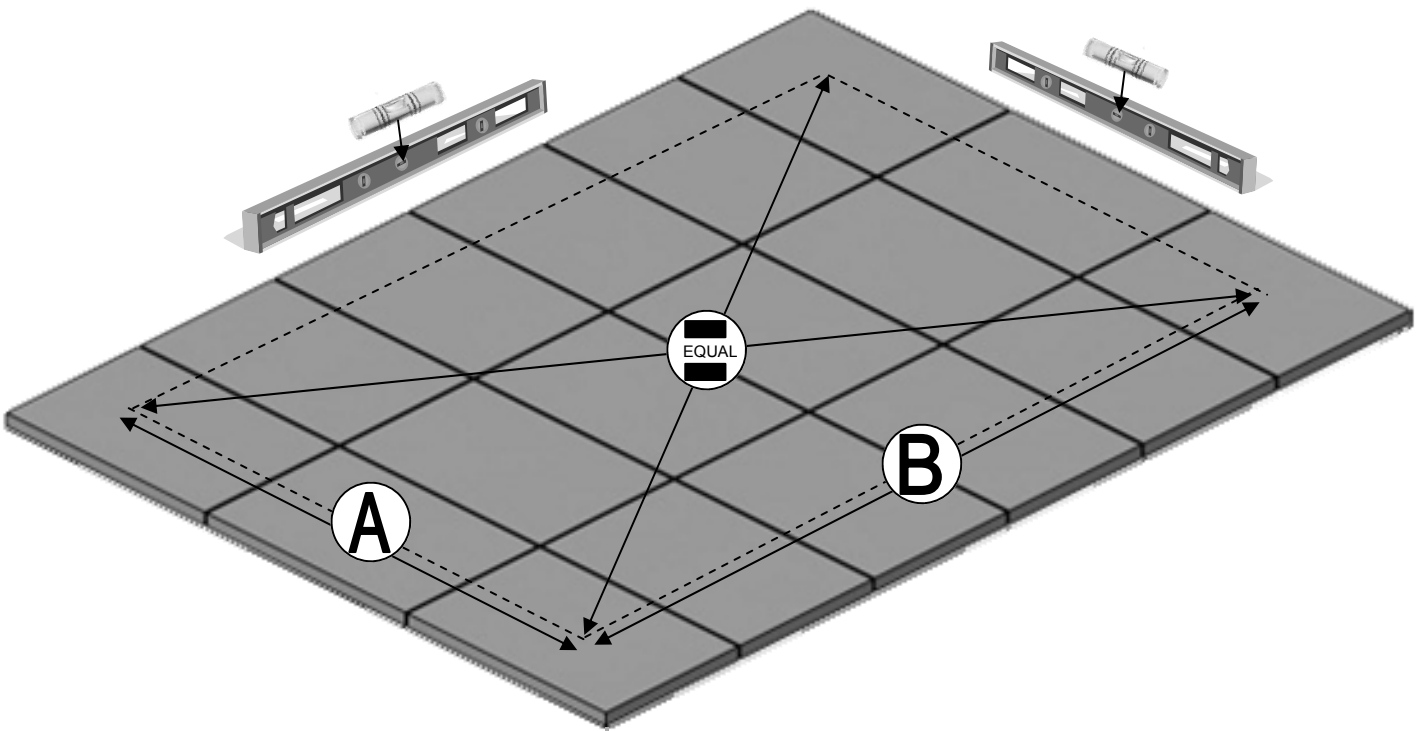
It is essential that the **BASE IS FLAT, LEVEL AND SQUARE AS WELL AS BEING SUBSTANTIAL** enough to take the weight of the greenhouse including its 4mm glass.

Give yourself enough room around your base to allow for fitting the glass and any on-going maintenance / cleaning. A slab base which is larger than the greenhouse is the ideal solution and is our preferred foundation.

A brick perimeter base is equally suitable providing there is a concrete foundation beneath it. We suggest using a solid brick with no frogs or holes (quality stock bricks or semi-engineering bricks).

IMPORTANT: Do not anchor your greenhouse down until it is fully assembled including glazing unless you are 100% sure your base is square and level. If not your glass will not fit properly.

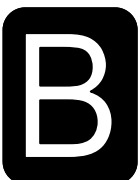
IMPORTANT: If you have anything overhanging the ridge on a lean-to building then please make sure it does not interfere with the motion of the roof vents.

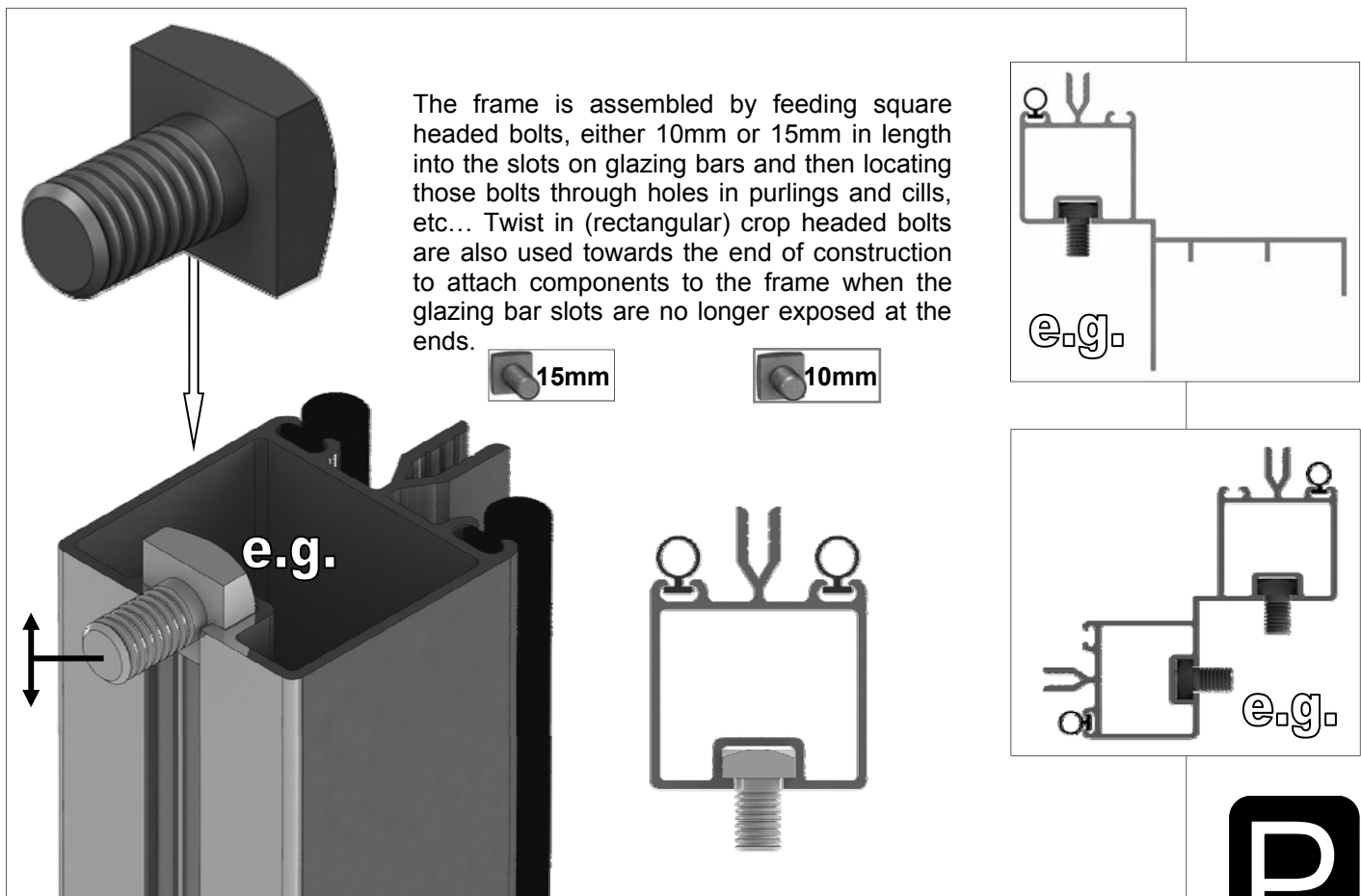
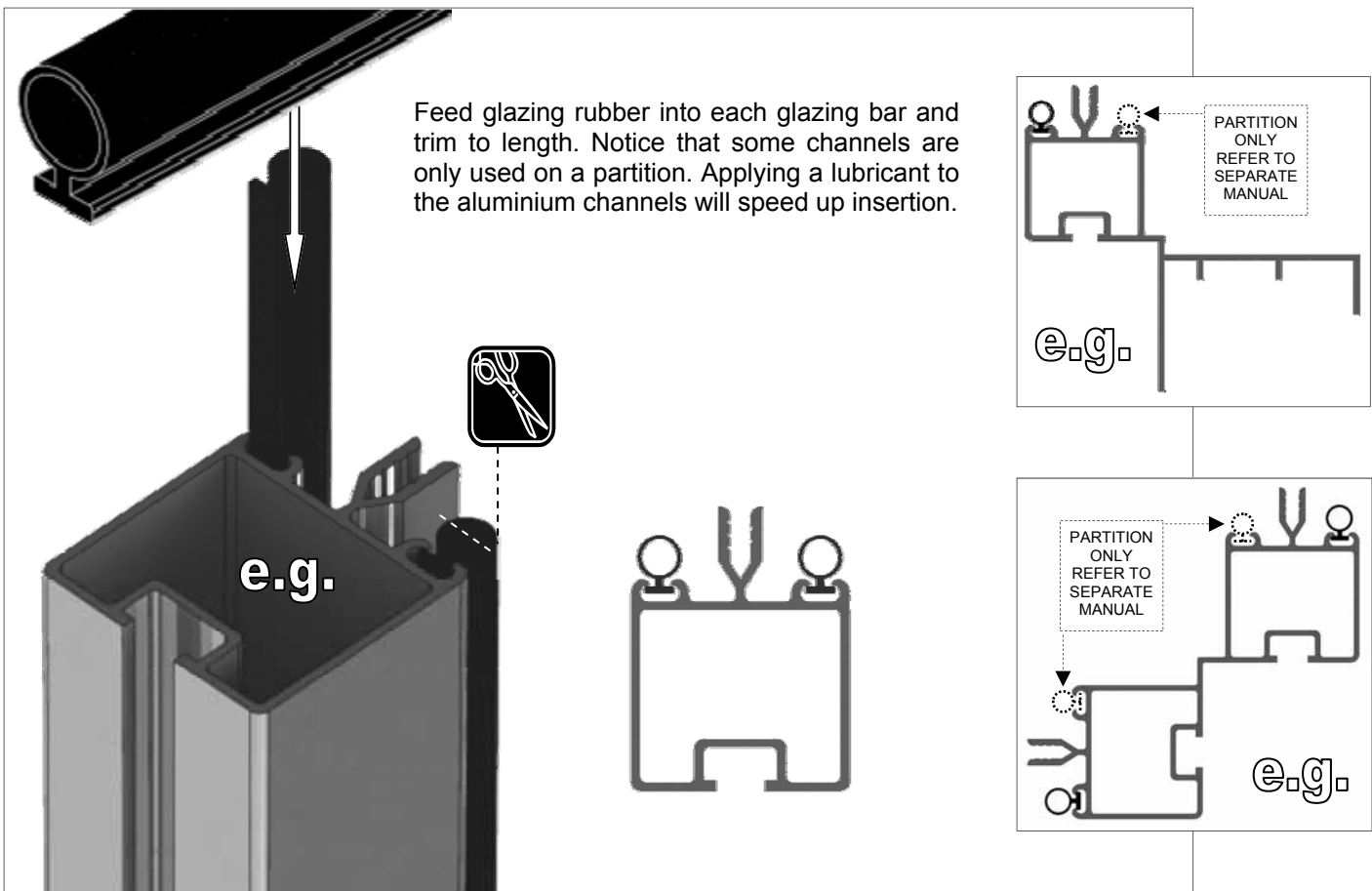


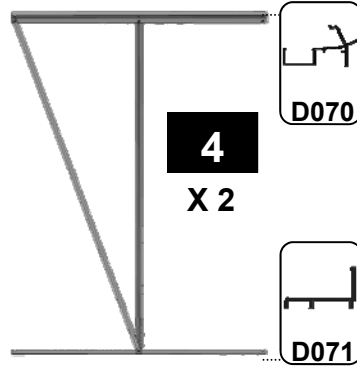
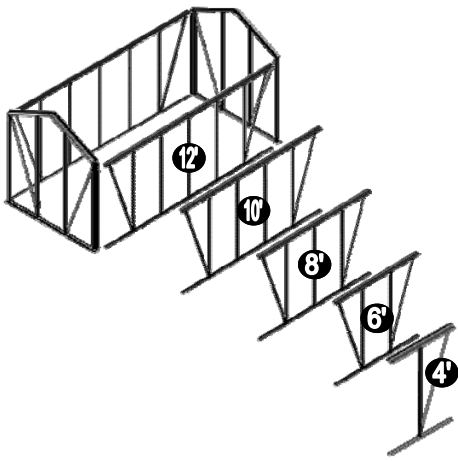
EXTERNAL DIMENSIONS (mm)

Model sizes listed are **nominal**,
use 'mm' measurements.
 i.e.: an 8 x 10 is the model 8'6" x 10' 8"

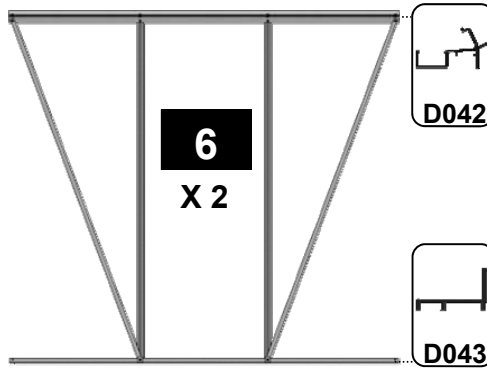
| MODEL | | A (mm) WIDTH | B (mm) LENGTH | C (mm) DIAGONAL |
|---------|--------|--------------|---------------|-----------------|
| REGATTA | 5 x 4 | 1662 | 1392 | 2168 |
| | 5 x 6 | | 2012 | 2610 |
| | 5 x 8 | | 2632 | 3113 |
| | 5 x 10 | | 3252 | 3652 |
| | 5 x 12 | | 3872 | 4214 |





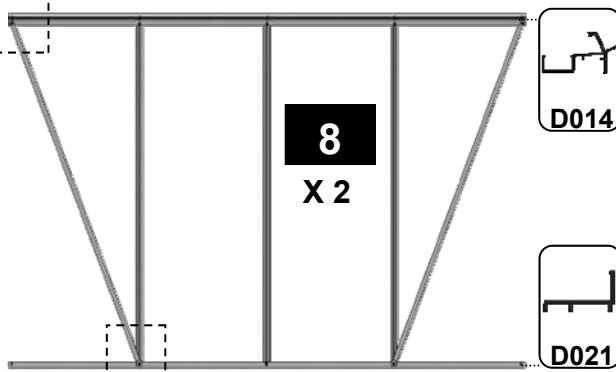


| 4 X 2 | | |
|---------|------|----------|
| Part No | mm | Quantity |
| D070 | 1277 | 2 |
| D071 | 1274 | 2 |
| D066 | 1676 | 2 |
| D103 | 1787 | 2 |
| D174 | | 2 |
| M6-10mm | | 2 |
| M6-15mm | | 4 |
| M6-NUT | | 6 |
| Rubber | 1000 | 7 |



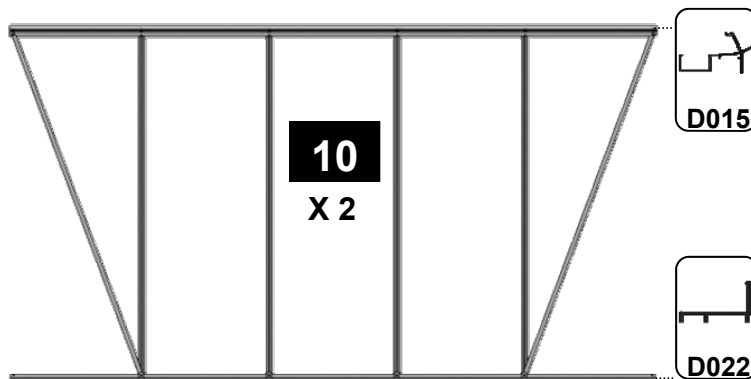
| 6 X 2 | | |
|---------|------|----------|
| Part No | mm | Quantity |
| D042 | 1897 | 2 |
| D043 | 1894 | 2 |
| D066 | 1676 | 4 |
| D103 | 1787 | 4 |
| D174 | | 4 |
| M6-10mm | | 4 |
| M6-15mm | | 8 |
| M6-NUT | | 12 |
| Rubber | 1000 | 14 |

e.g. ①

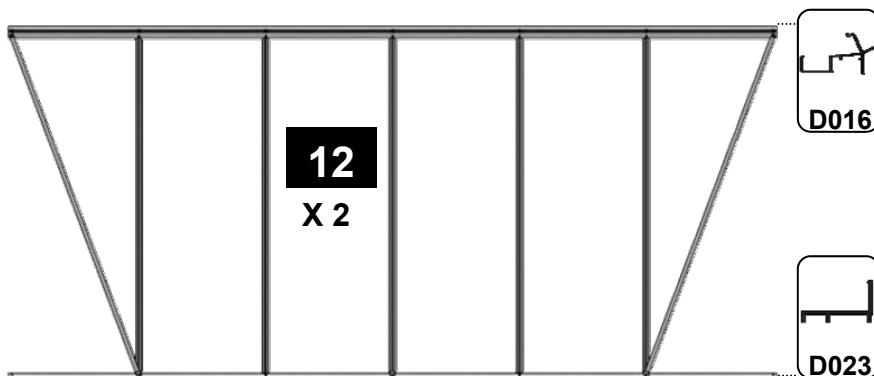


| 8 X 2 | | |
|---------|------|----------|
| Part No | mm | Quantity |
| D014 | 2517 | 2 |
| D021 | 2514 | 2 |
| D066 | 1676 | 6 |
| D103 | 1787 | 4 |
| D174 | | 4 |
| M6-10mm | | 6 |
| M6-15mm | | 10 |
| M6-NUT | | 16 |
| Rubber | 1000 | 21 |

e.g. ②

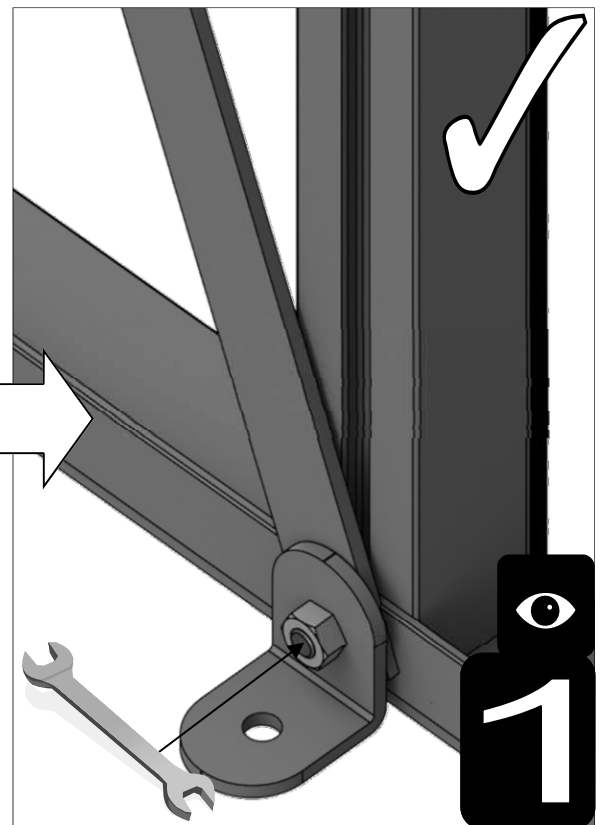
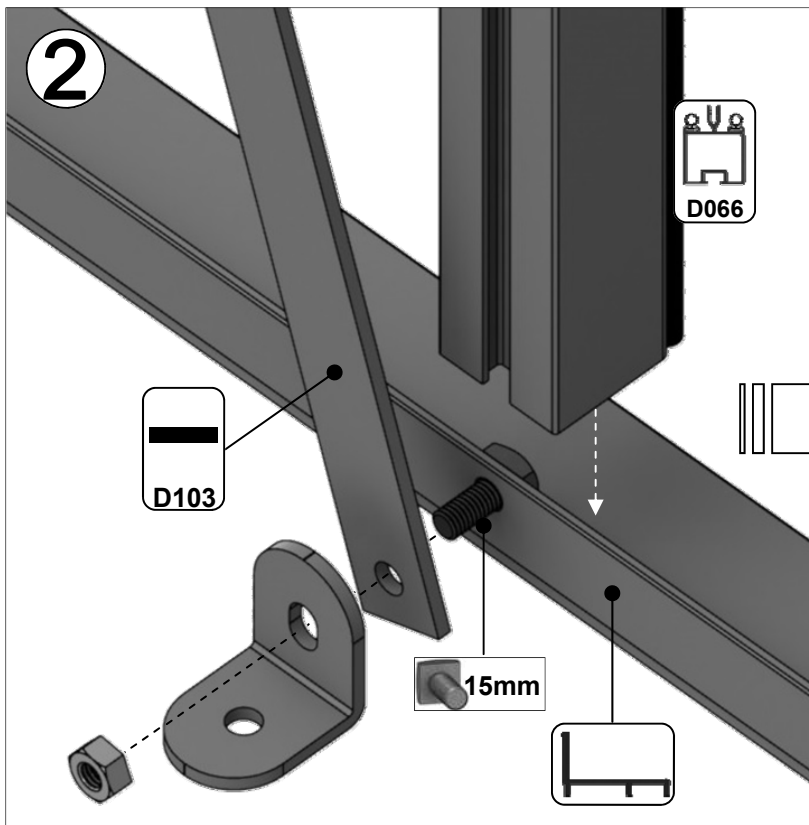
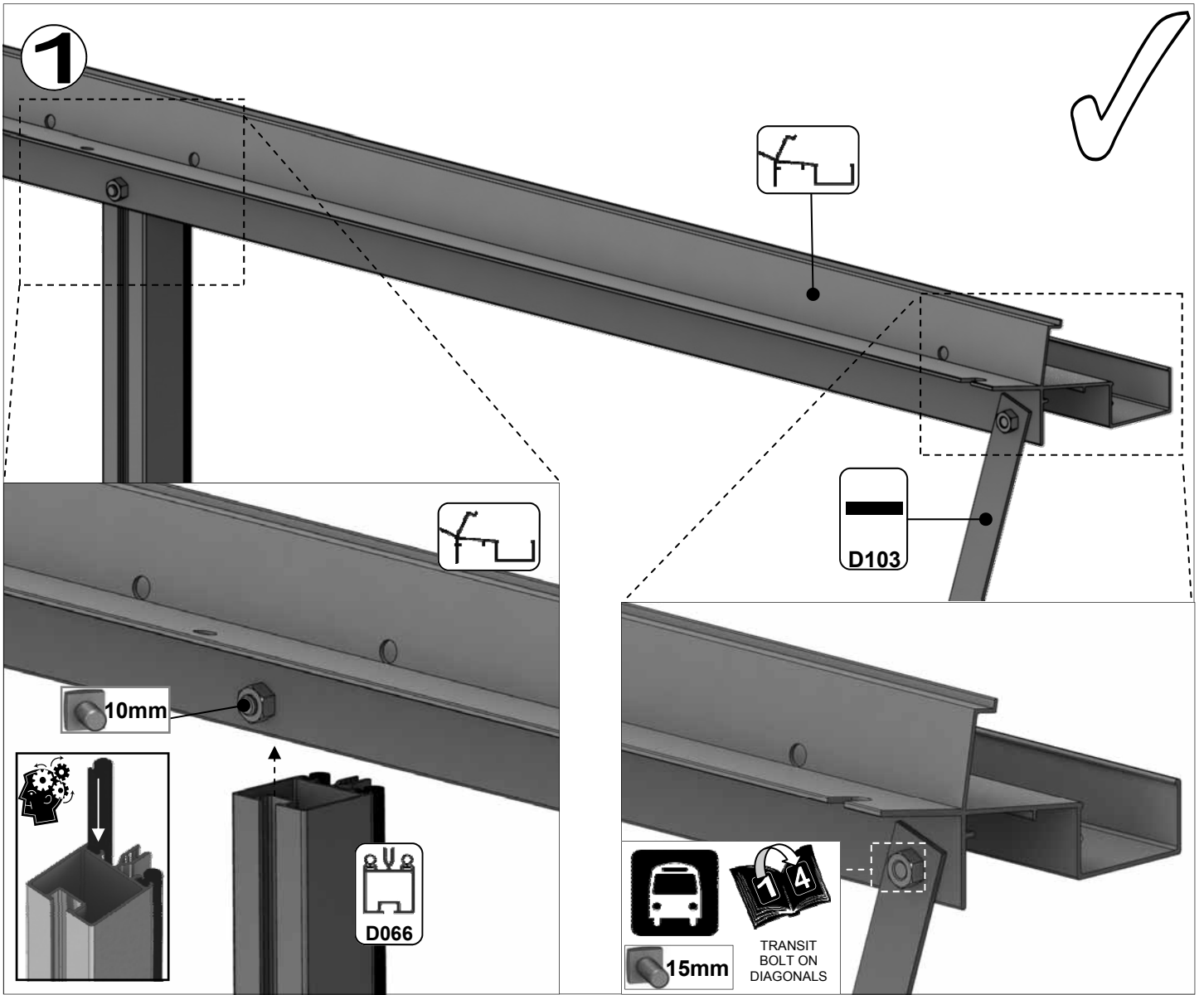


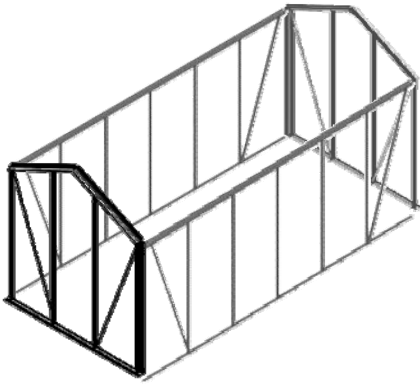
| 10 X 2 | | |
|---------|------|----------|
| Part No | mm | Quantity |
| D015 | 3137 | 2 |
| D022 | 3134 | 2 |
| D066 | 1676 | 8 |
| D103 | 1787 | 4 |
| D174 | | 8 |
| M6-10mm | | 8 |
| M6-15mm | | 12 |
| M6-NUT | | 20 |
| Rubber | 1000 | 27 |



| 12 X 2 | | |
|---------|------|----------|
| Part No | mm | Quantity |
| D016 | 3757 | 2 |
| D023 | 3754 | 2 |
| D066 | 1676 | 10 |
| D103 | 1787 | 4 |
| D174 | | 8 |
| M6-10mm | | 10 |
| M6-15mm | | 14 |
| M6-NUT | | 24 |
| Rubber | 1000 | 34 |

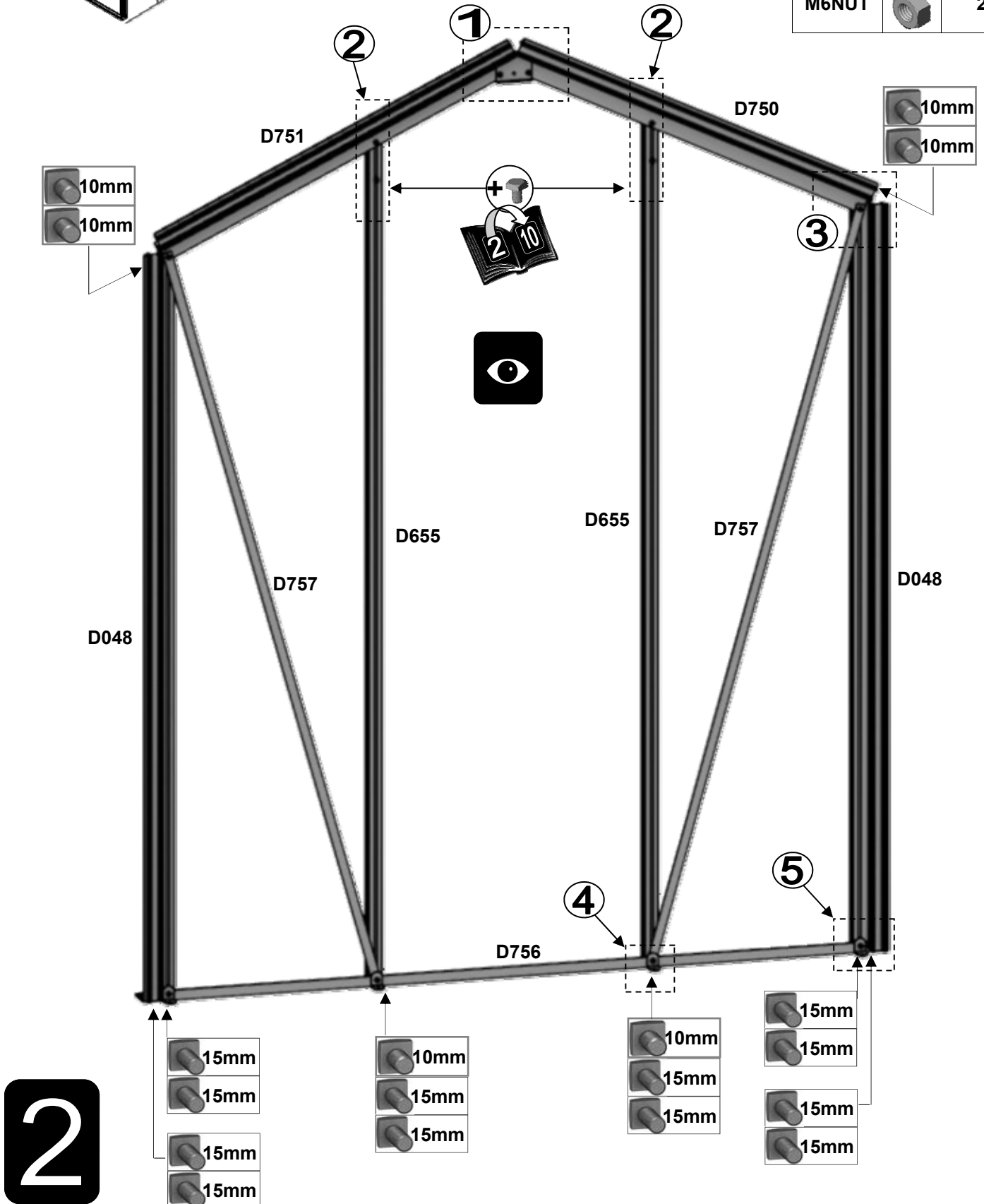


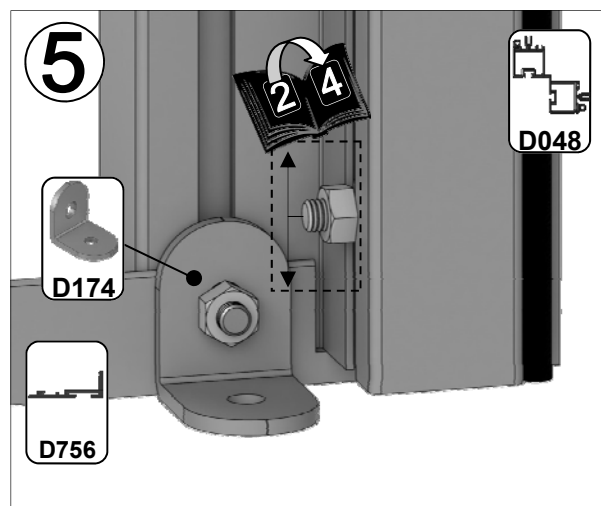
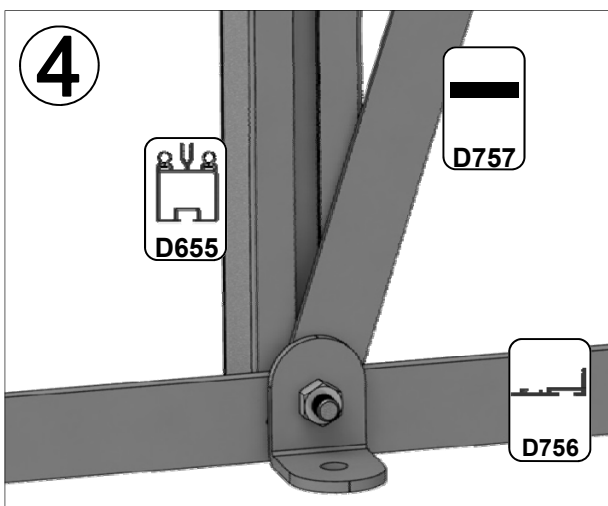
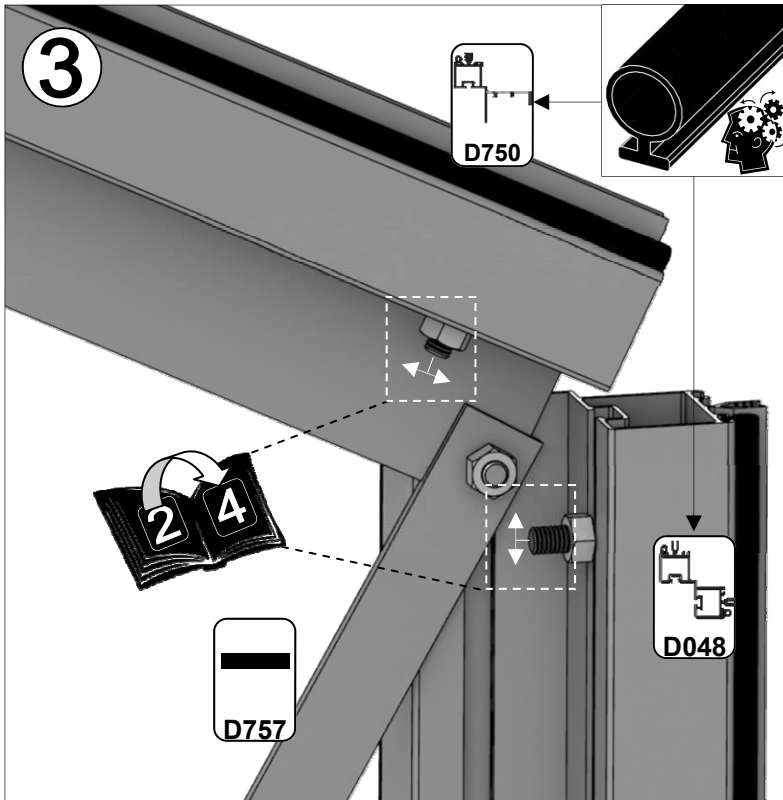
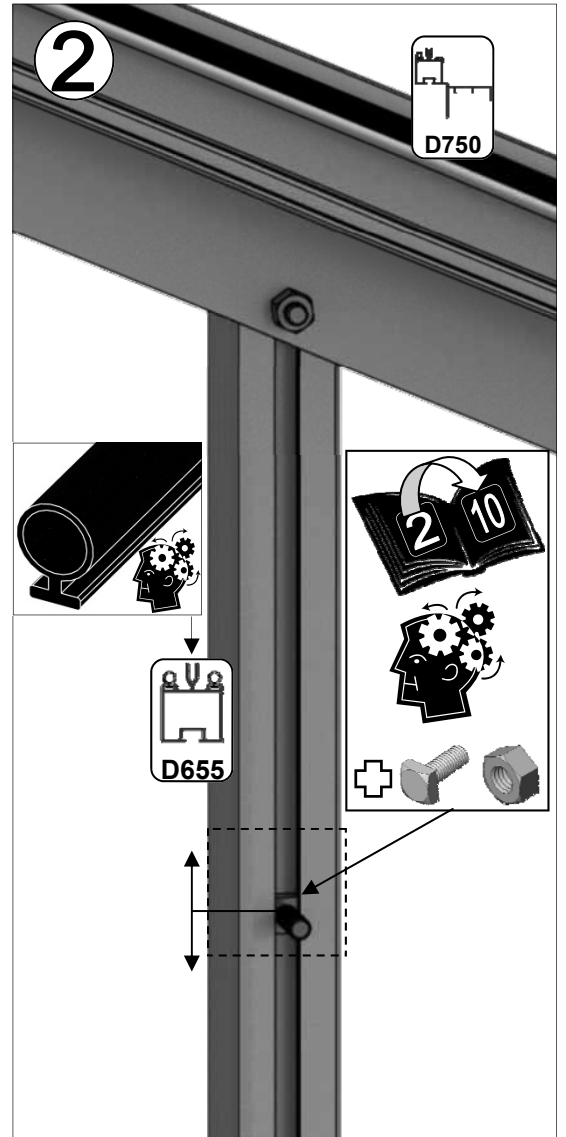
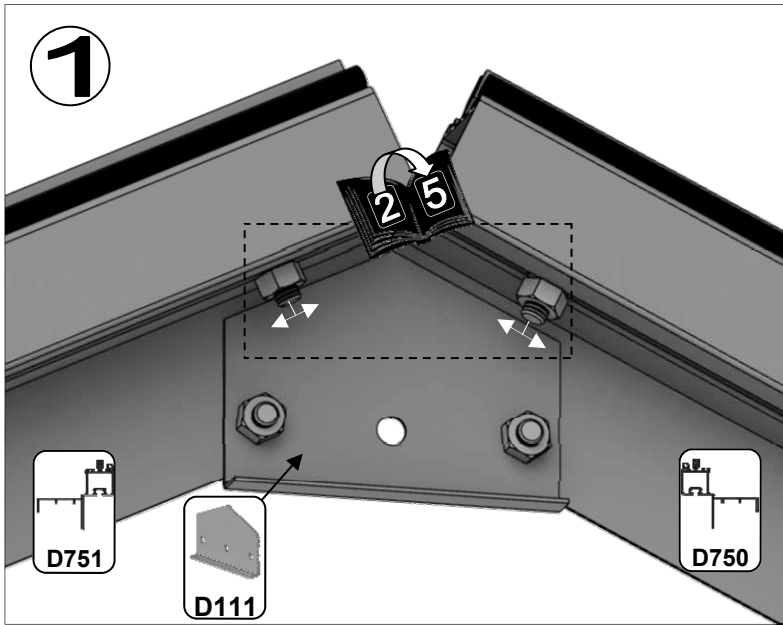


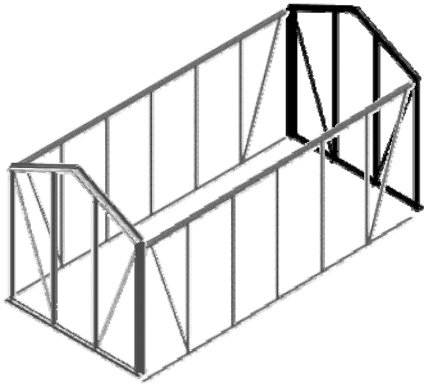


| Part No | mm | Quantity |
|---------|------|----------|
| D756 | 1670 | 1 |
| D048 | 1676 | 2 |
| D655 | 1906 | 2 |
| D757 | 1738 | 2 |
| D750 | 882 | 1 |
| D751 | 882 | 1 |

| Part No | mm | Quantity |
|---------|----|----------|
| D111 | | 1 |
| D174 | | 4 |
| D227 | | 15.5m |
| M6X10 | | 8 |
| M6X15 | | 12 |
| M6NUT | | 20 |

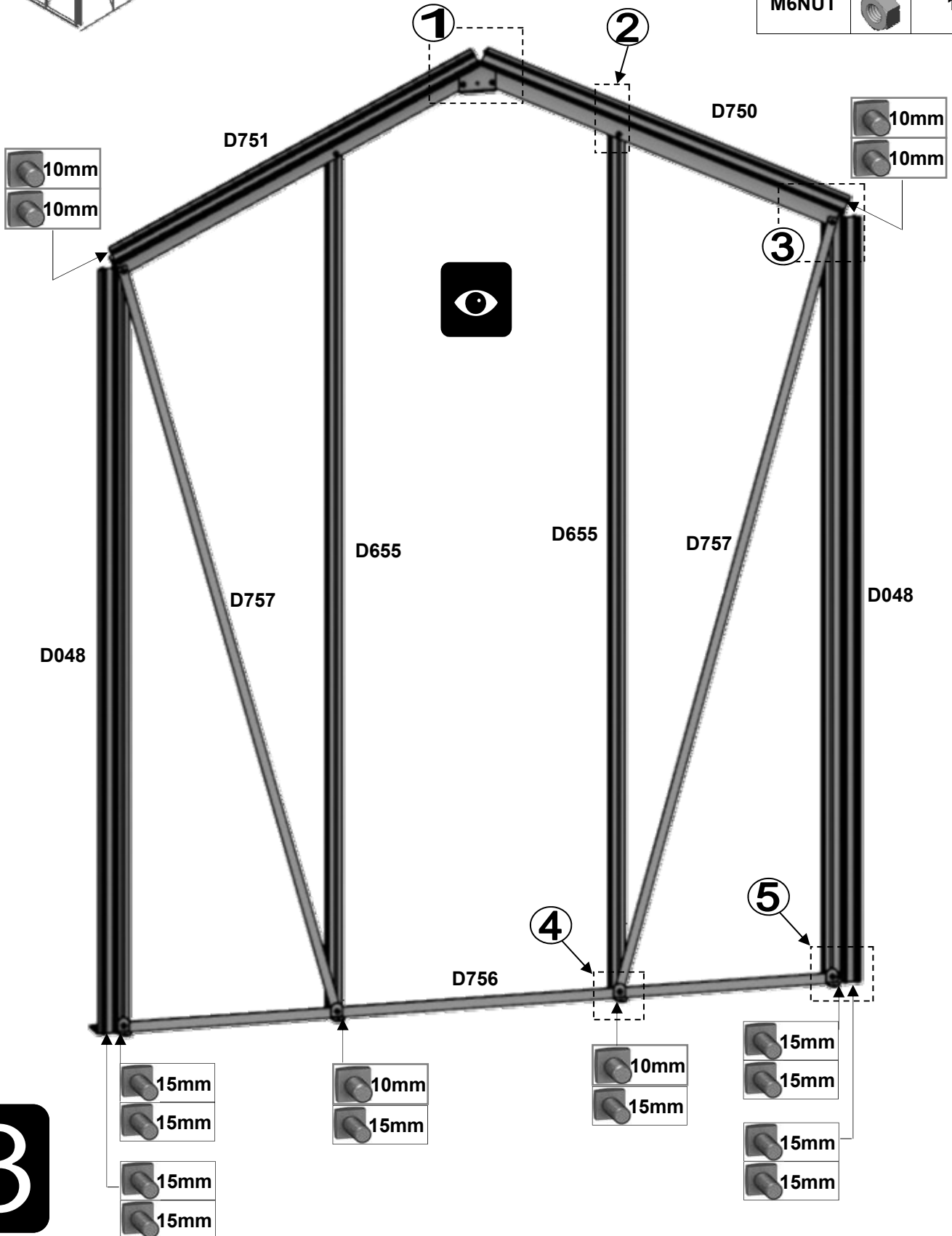


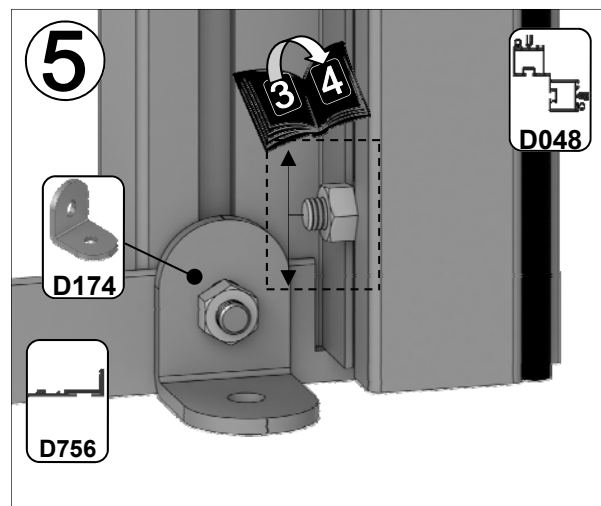
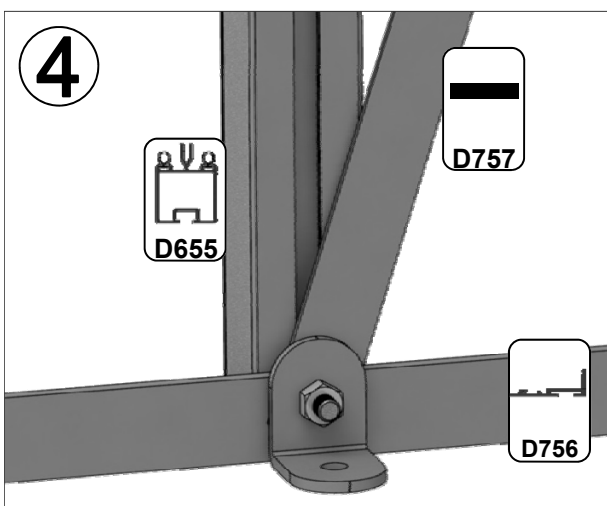
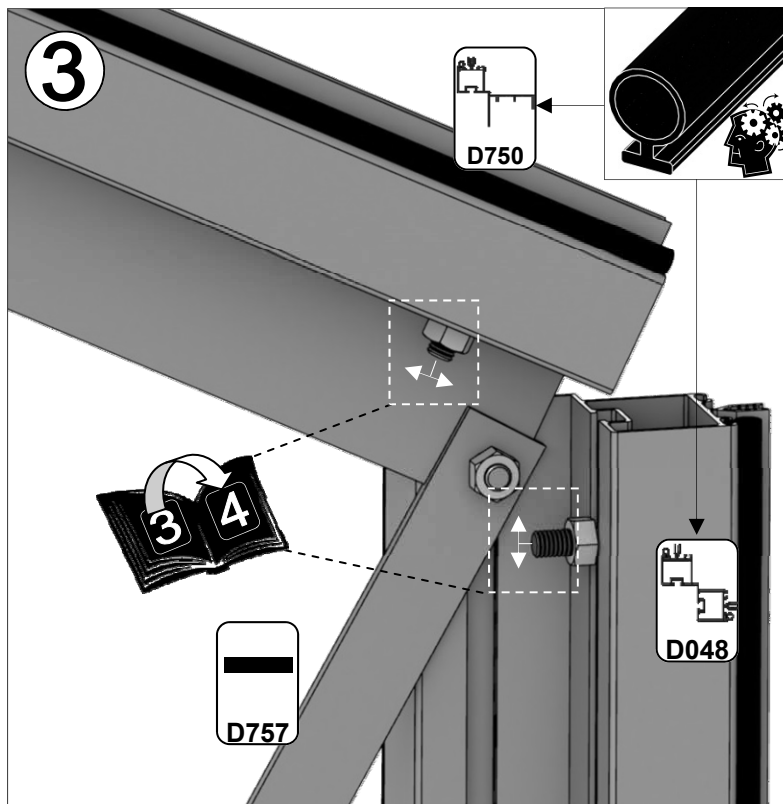
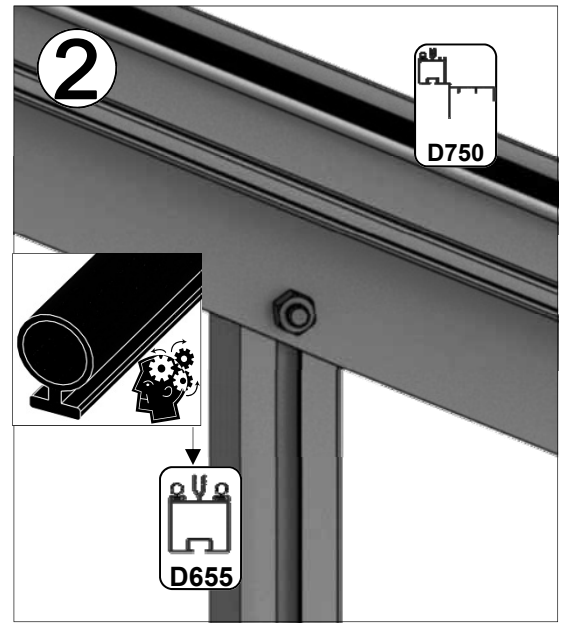
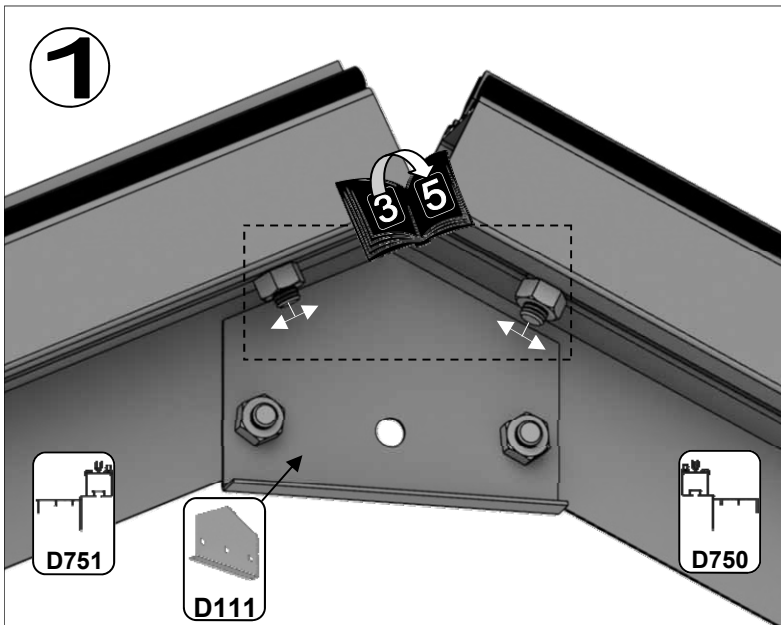


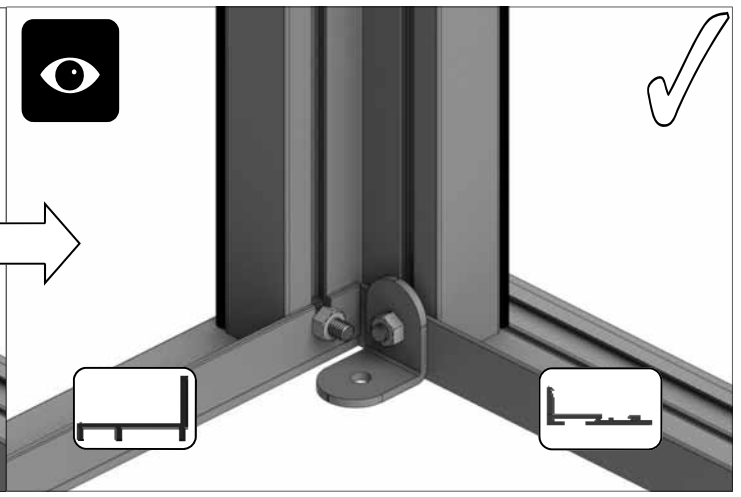
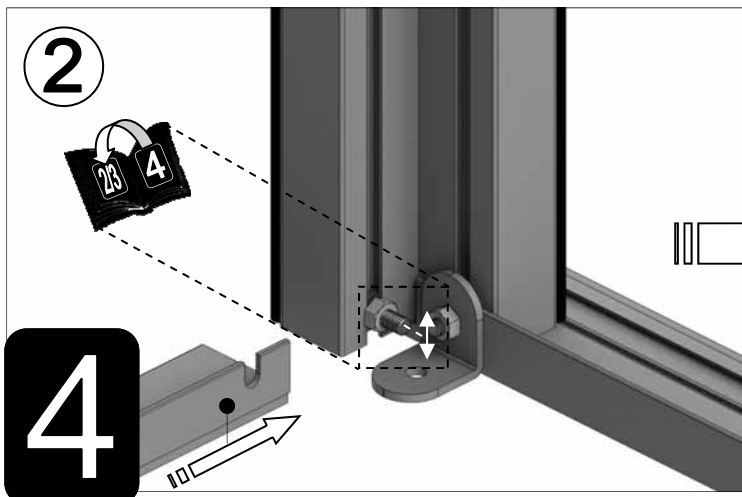
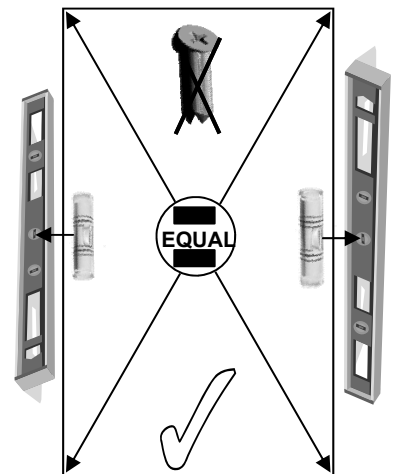
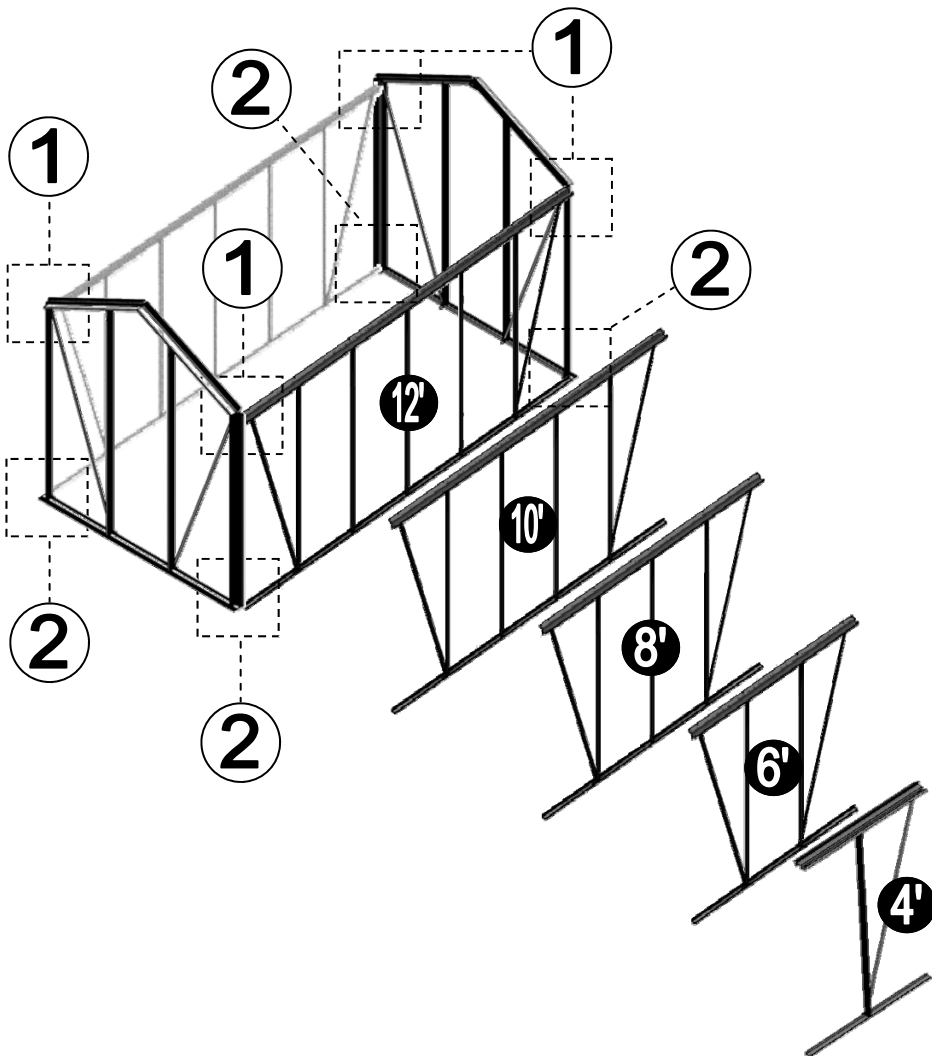
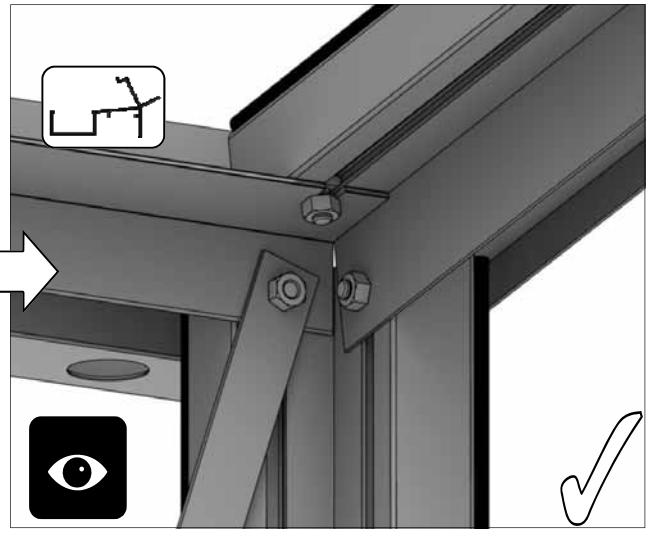
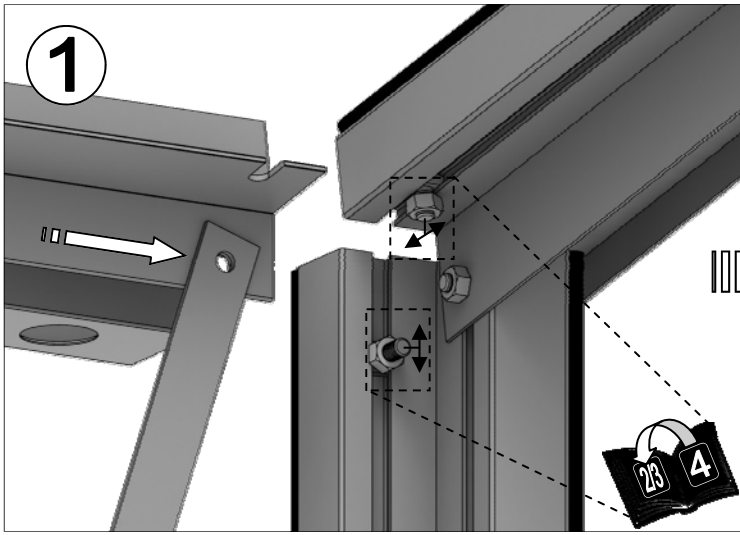


| Part No | mm | Quantity |
|---------|------|----------|
| D756 | 1670 | 1 |
| D048 | 1676 | 2 |
| D655 | 1906 | 2 |
| D757 | 1738 | 2 |
| D750 | 882 | 1 |
| D751 | 882 | 1 |

| Part No | mm | Quantity |
|---------|----|----------|
| D111 | | 1 |
| D174 | | 4 |
| D227 | | 15.5m |
| M6X10 | | 8 |
| M6X15 | | 10 |
| M6NUT | | 18 |







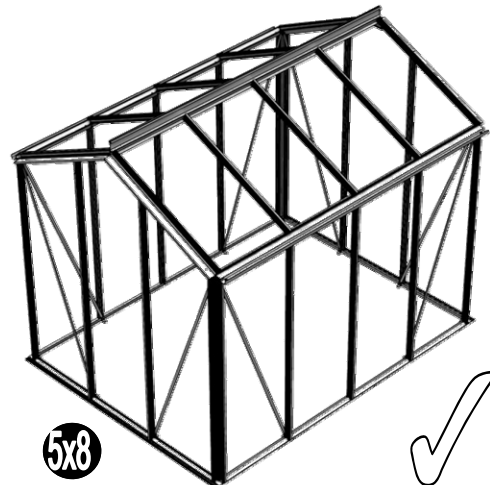
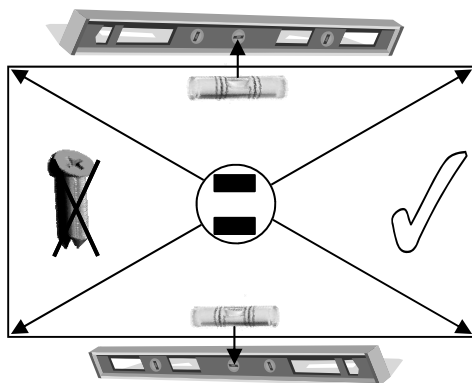
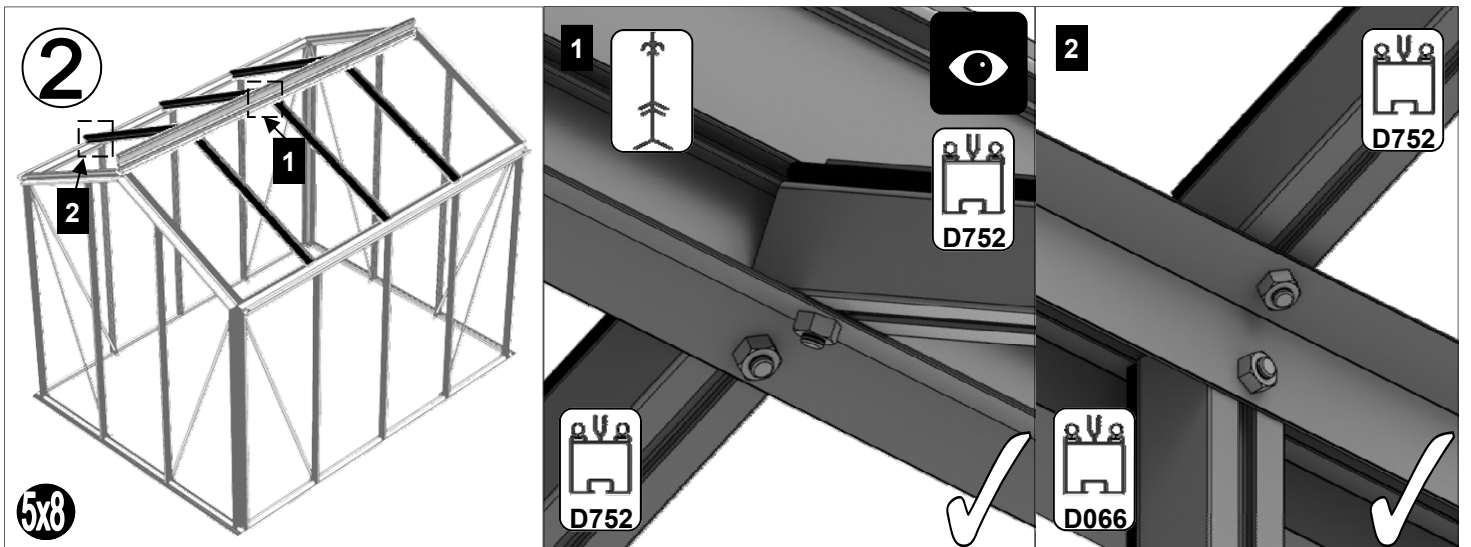
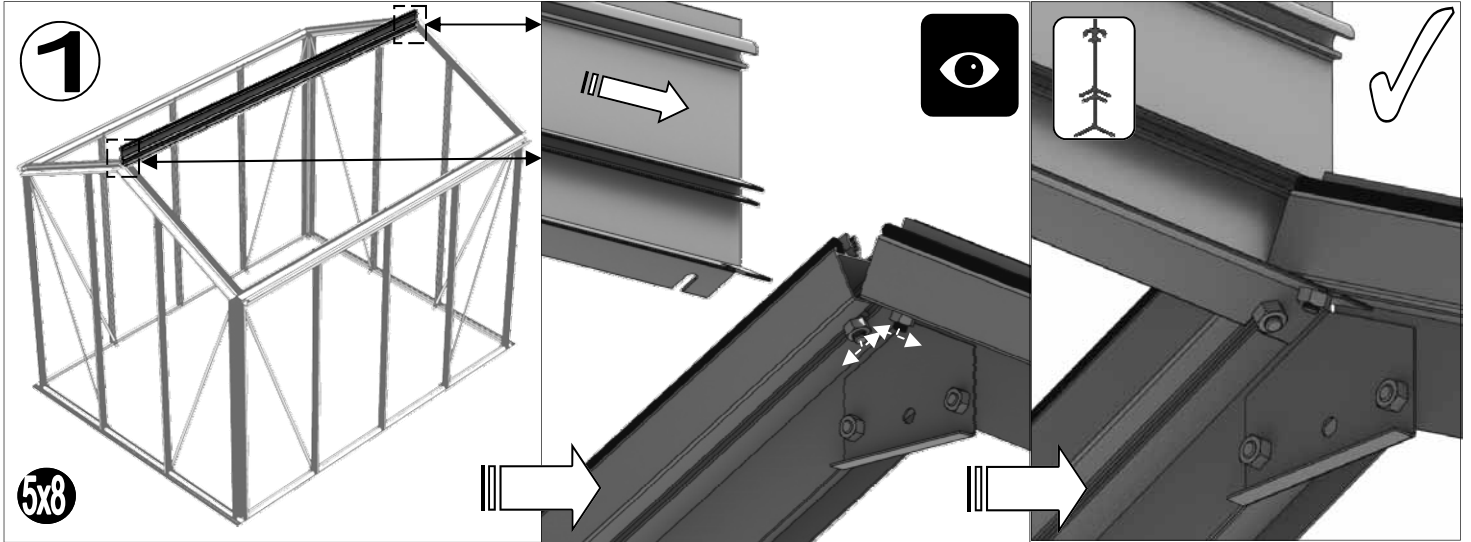
| 4' | | |
|--------|------|-------|
| Part | mm | Quan. |
| D072 | 1277 | 1 |
| D752 | 882 | 2 |
| RUBBER | 1000 | 4 |

| 6' | | |
|--------|------|-------|
| Part | mm | Quan. |
| D044 | 1897 | 1 |
| D752 | 882 | 4 |
| RUBBER | 1000 | 8 |

| 8' | | |
|--------|------|-------|
| Part | mm | Quan. |
| D001 | 2517 | 1 |
| D752 | 882 | 6 |
| RUBBER | 1000 | 11 |

| 10' | | |
|--------|------|-------|
| Part | mm | Quan. |
| D002 | 3137 | 1 |
| D752 | 882 | 8 |
| RUBBER | 1000 | 15 |

| 12' | | |
|--------|------|-------|
| Part | mm | Quan. |
| D003 | 3757 | 1 |
| D752 | 882 | 10 |
| RUBBER | 1000 | 18 |



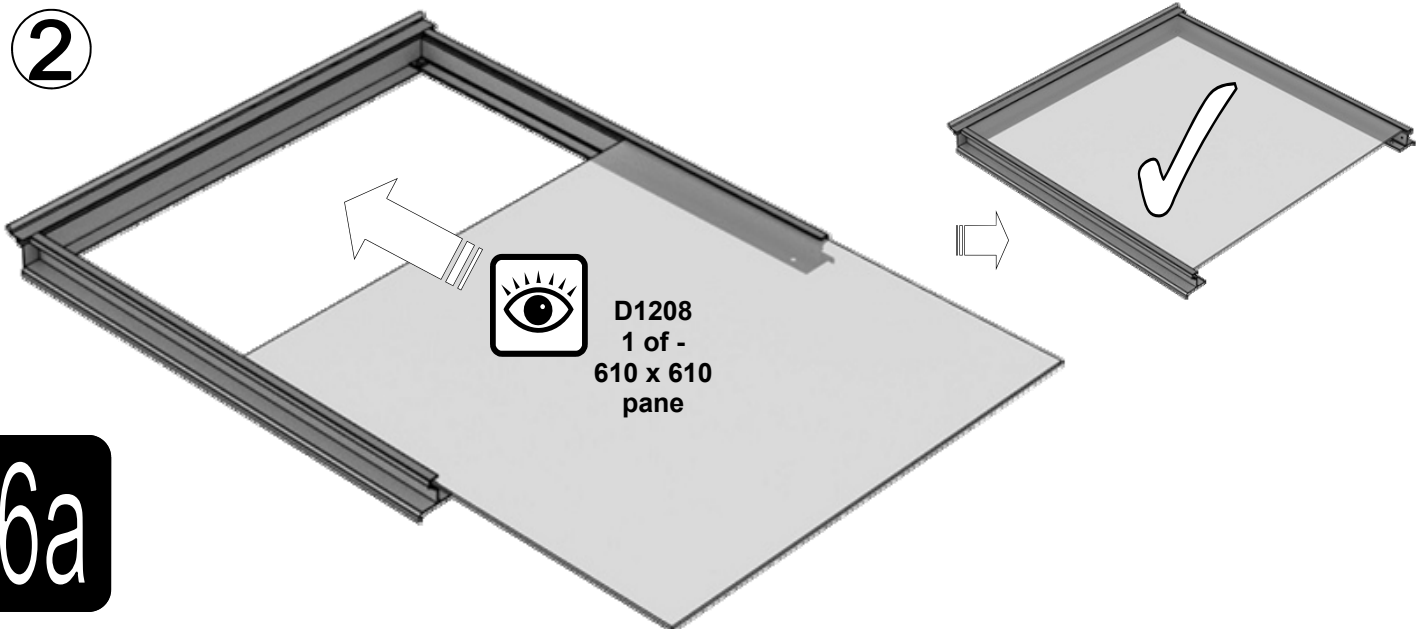
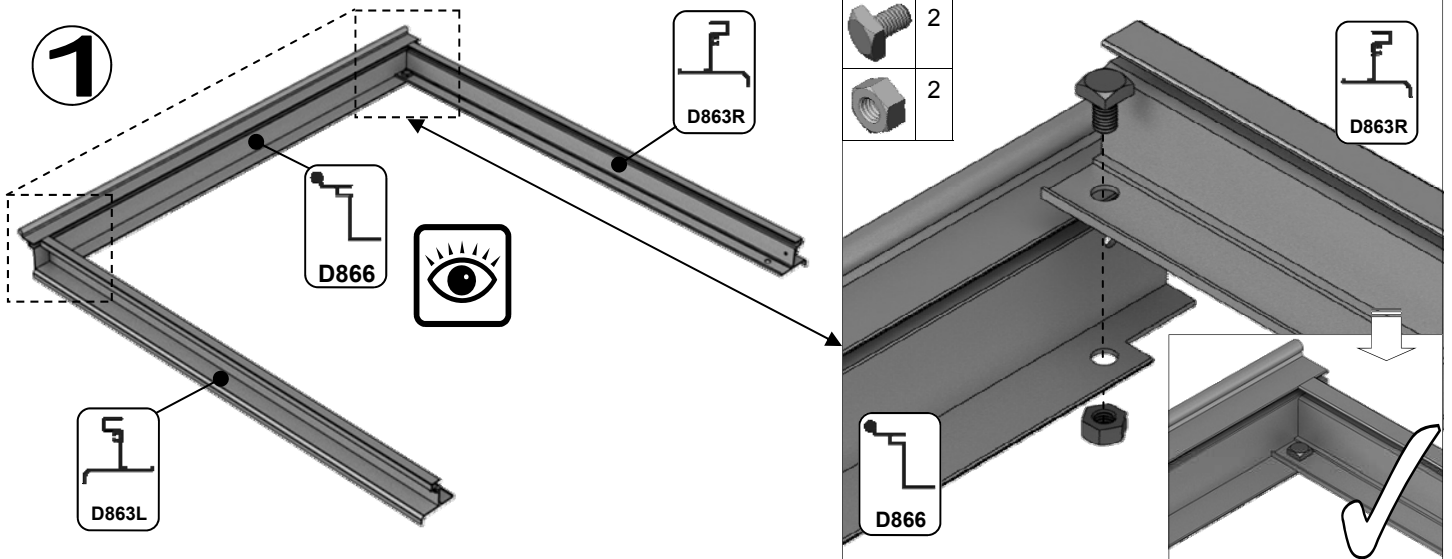
5




D1208
1 of -
610 x 610
pane

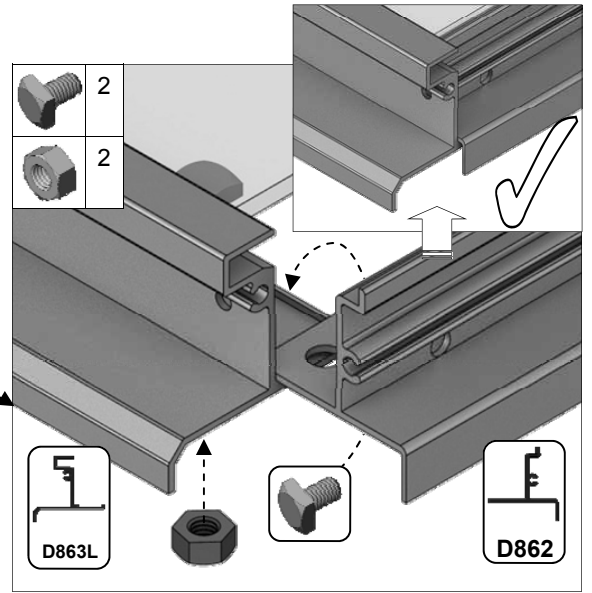
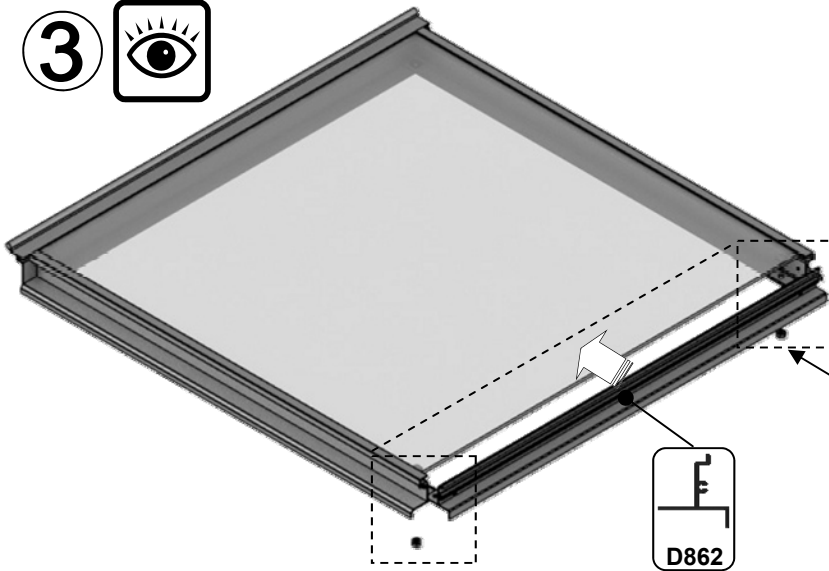
| Part No | | mm | Quantity |
|---------|--|-----|----------|
| D866 | | 639 | 1 |
| D863L | | 613 | 1 |
| D863R | | 613 | 1 |
| D862 | | 593 | 1 |

| Part No | | mm | Quantity |
|---------------------------|--|-----|----------|
| D220 PLUS FS6060 SCREW | | N/A | 2 |
| D205 | | N/A | 2 |
| SY-BOLM6X11 | | 10 | 4 |
| SYNUTM6 | | M6 | 4 |
| 8 X 12 S/T FS6017 | | 10 | 2 |
| 8 x 19 S/T FS6018 | | 19 | 2 |

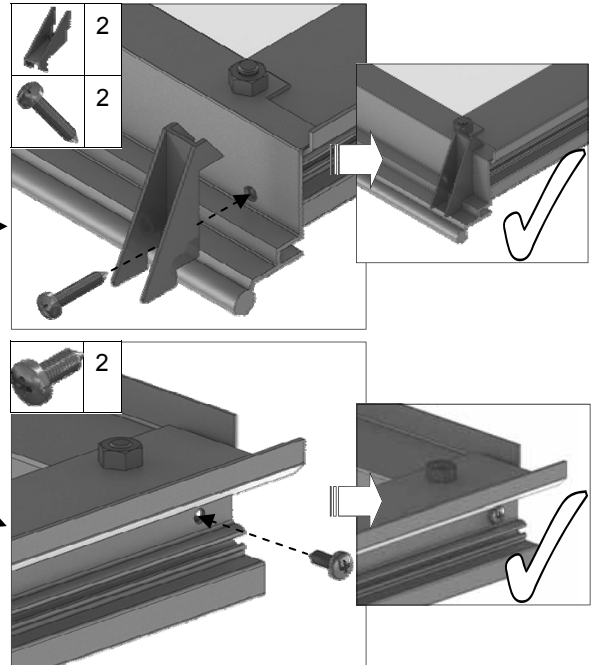
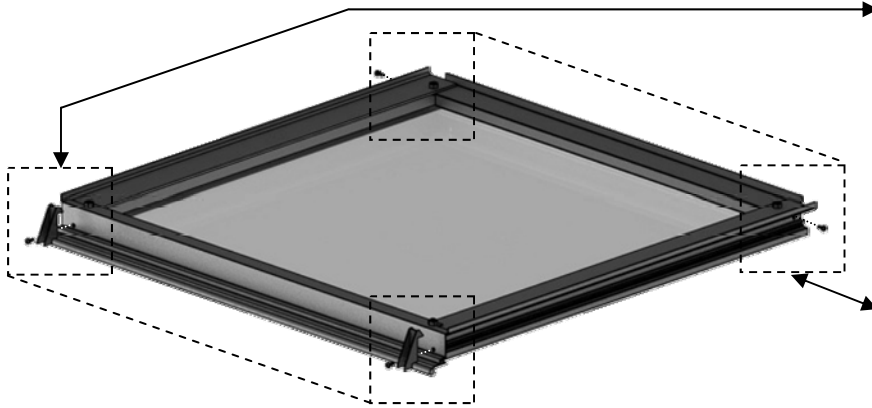
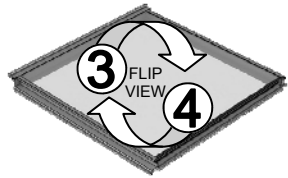


6a

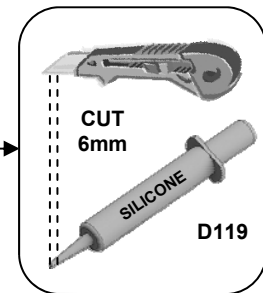
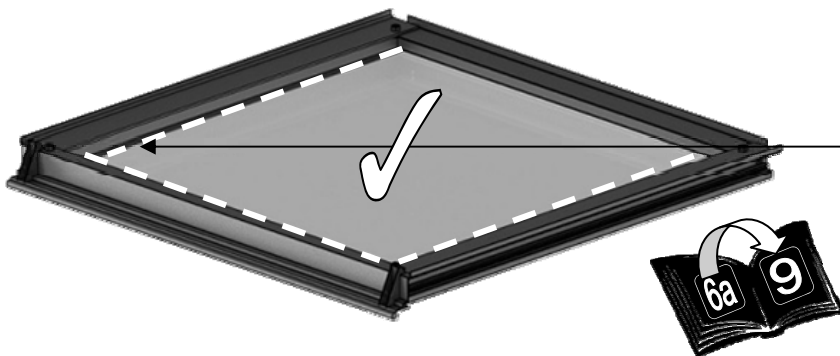
3 



4 



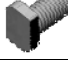





5 



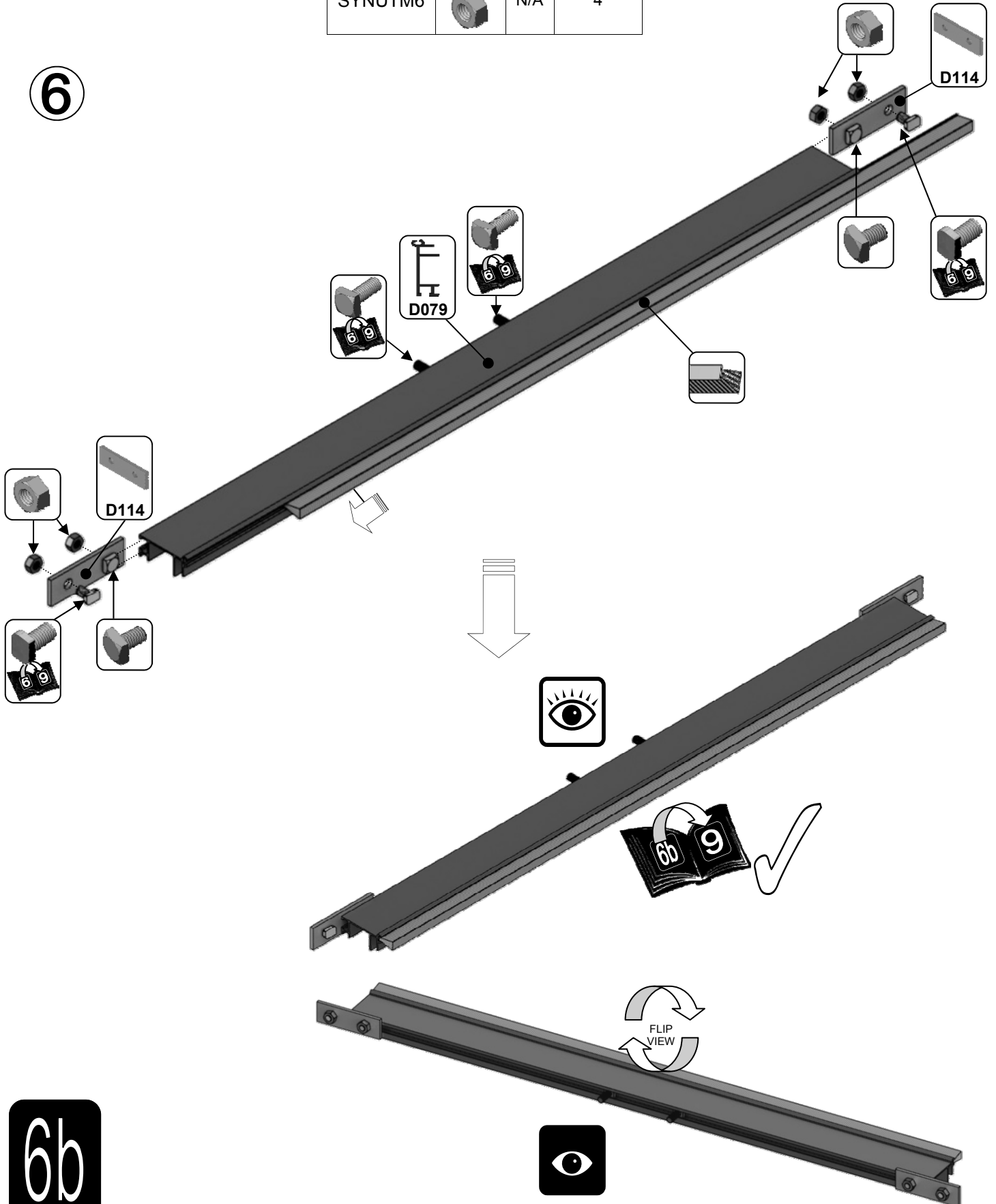
6a

1 vent
slam bar = {

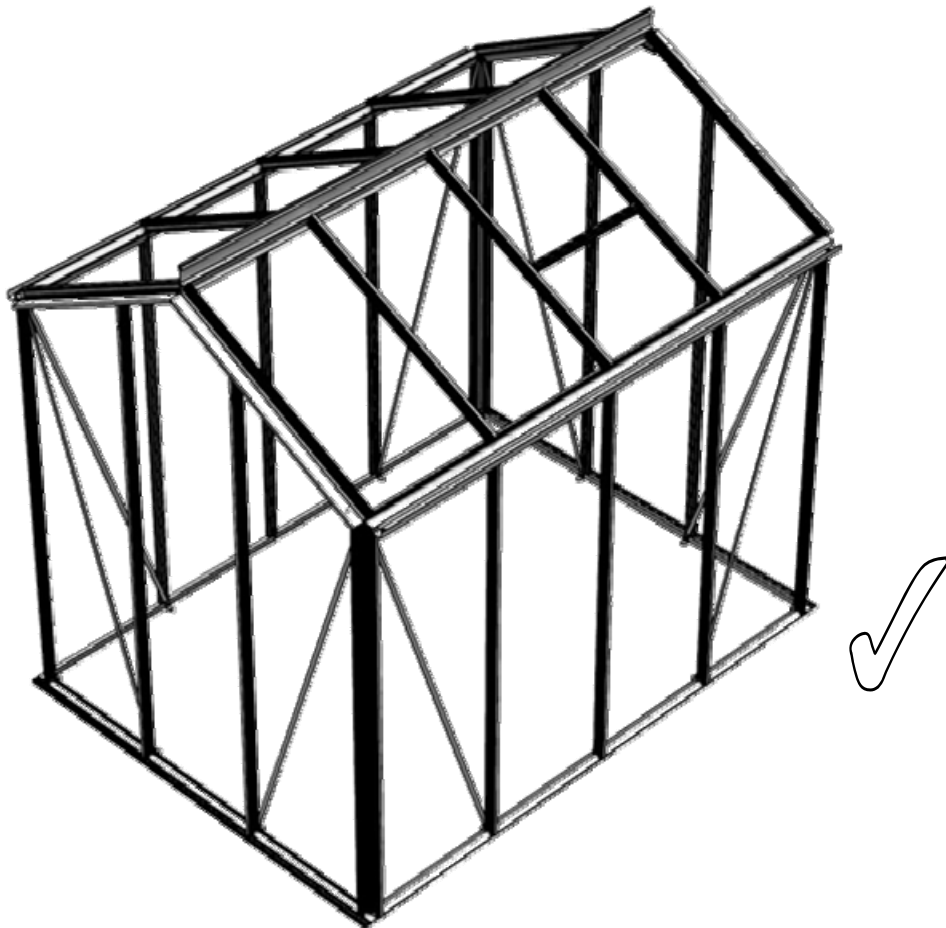
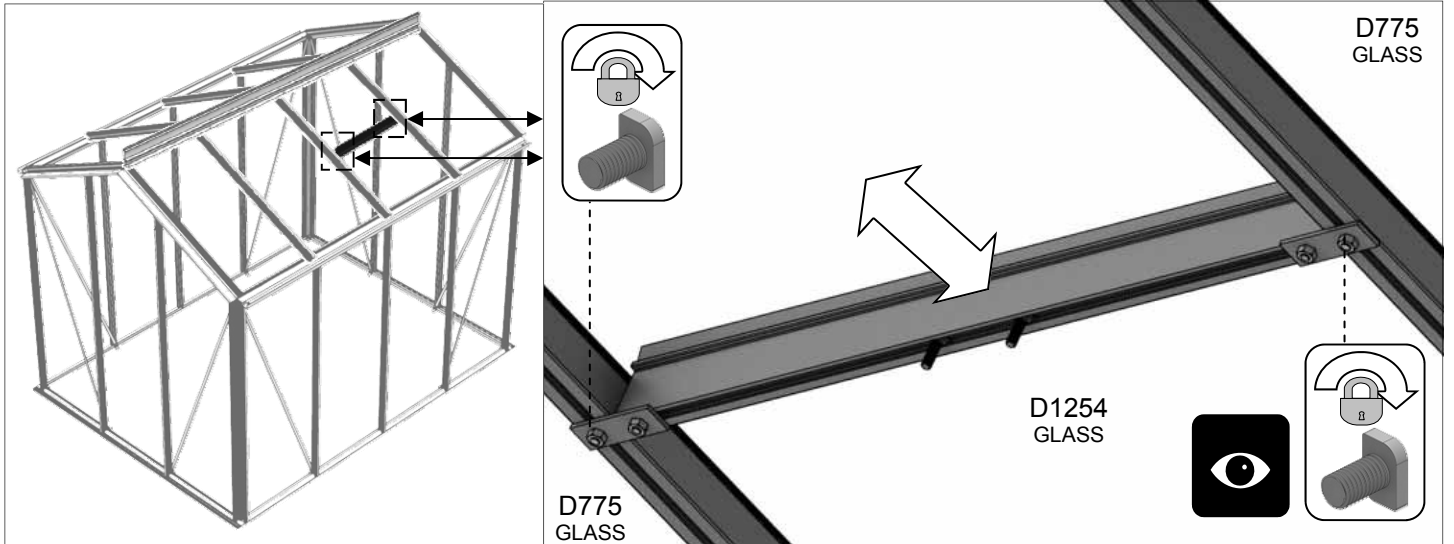
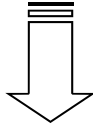
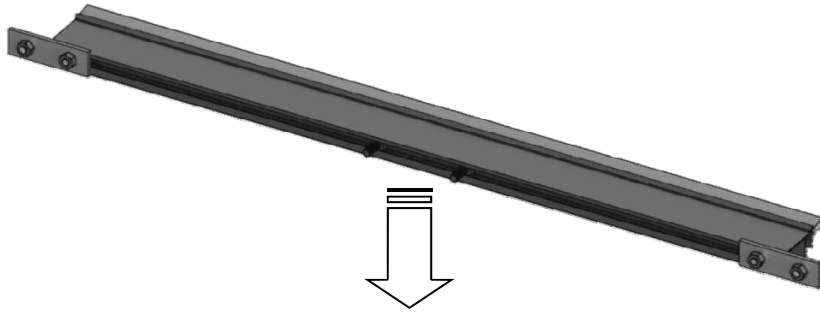
| Part No | | mm | Quantity |
|-----------------|---|-----|----------|
| SY-BOLM6X11 |  | 10 | 2 |
| SY-BOLM6X15 |  | 15 | 2 |
| SYBOLM6 X11CROP |  | 10 | 2 |
| SYNUTM6 |  | N/A | 4 |

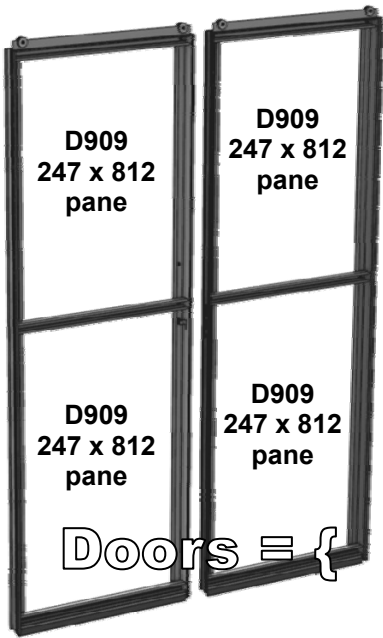
| Part No | | mm | Quantity |
|-----------------|---|-----|----------|
| D079 PLUS FLUFF |  | 590 | 1 |
| D114 |  | N/A | 2 |

6



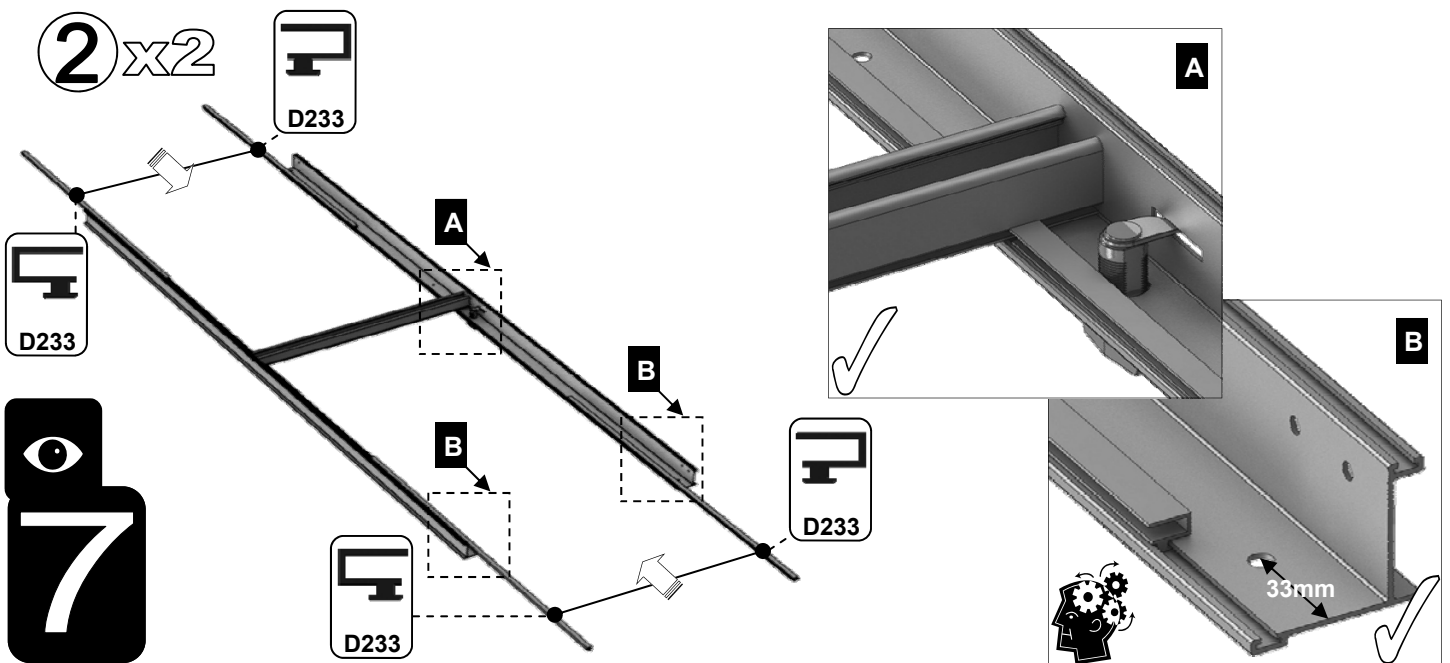
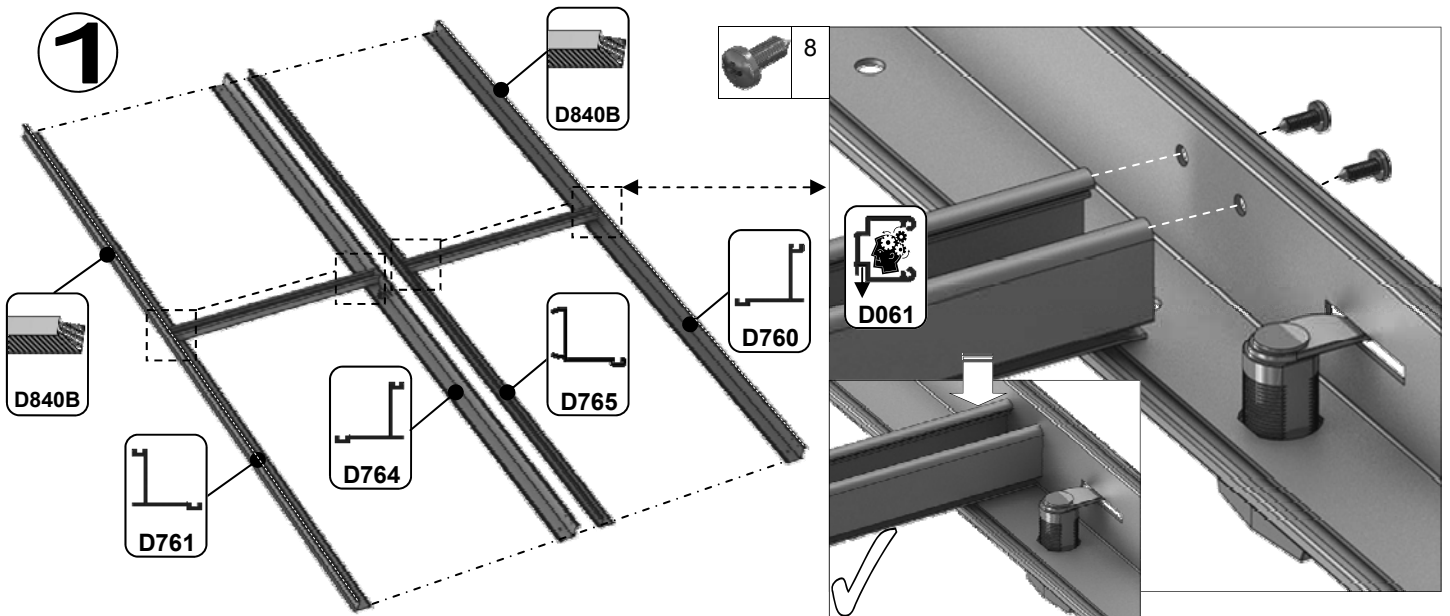
6b

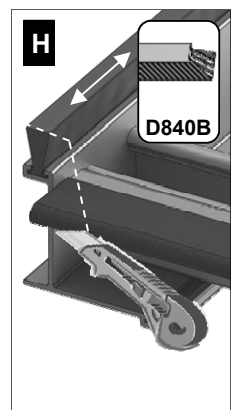
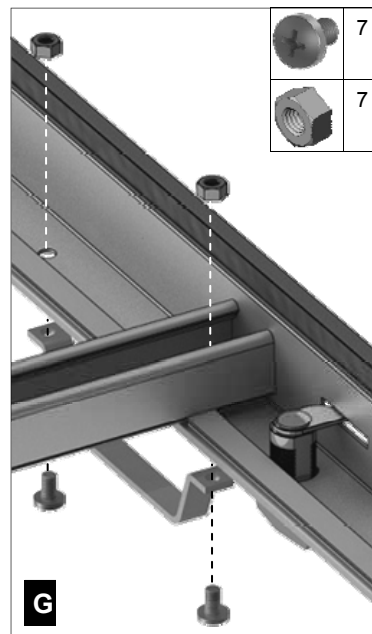
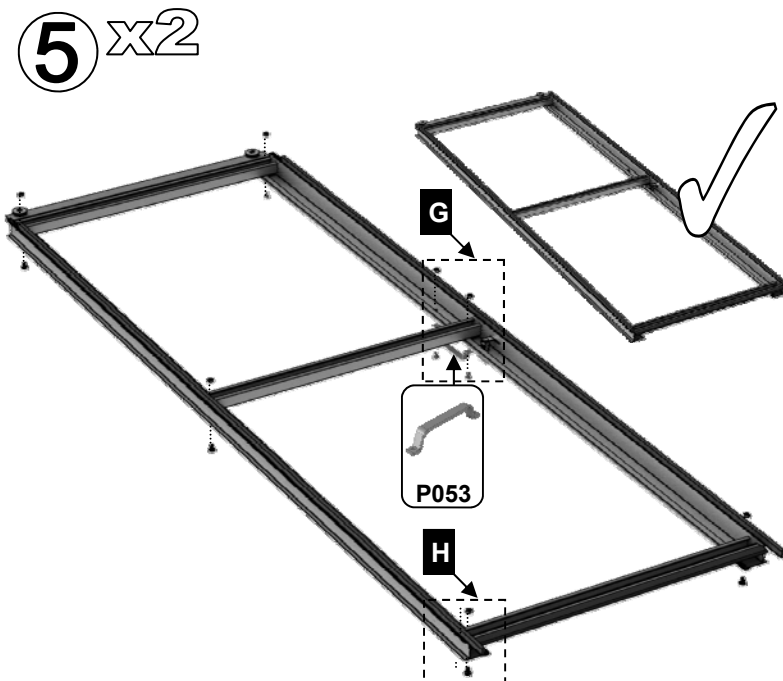
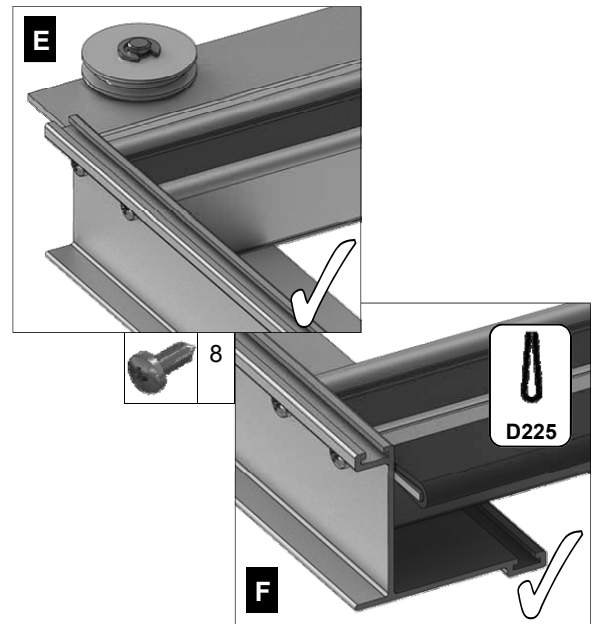
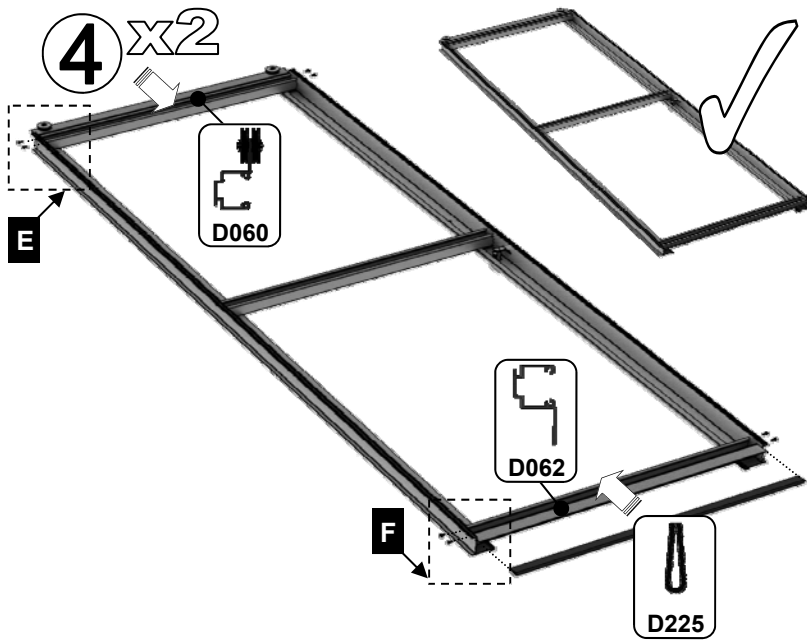
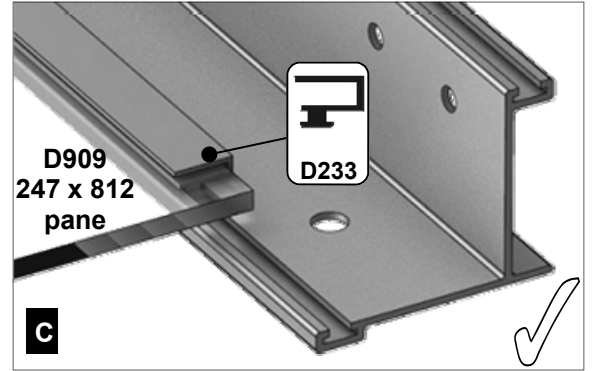
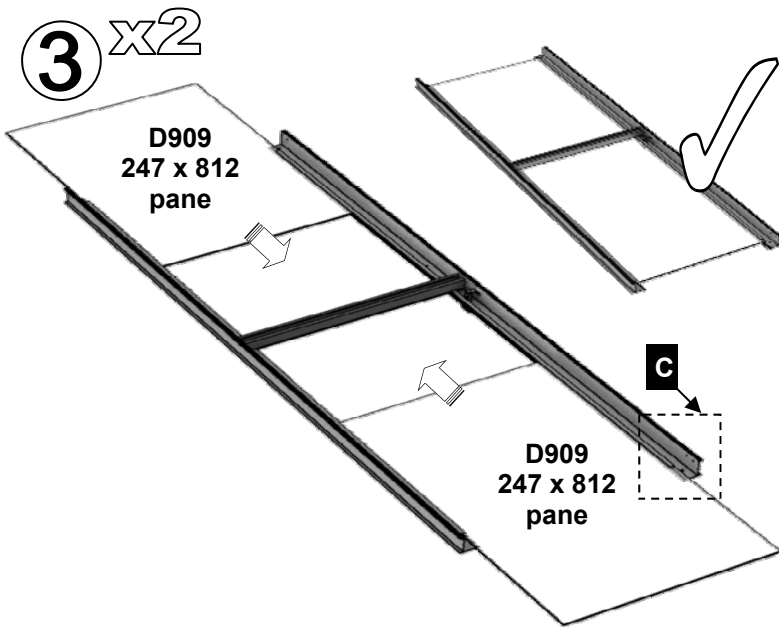










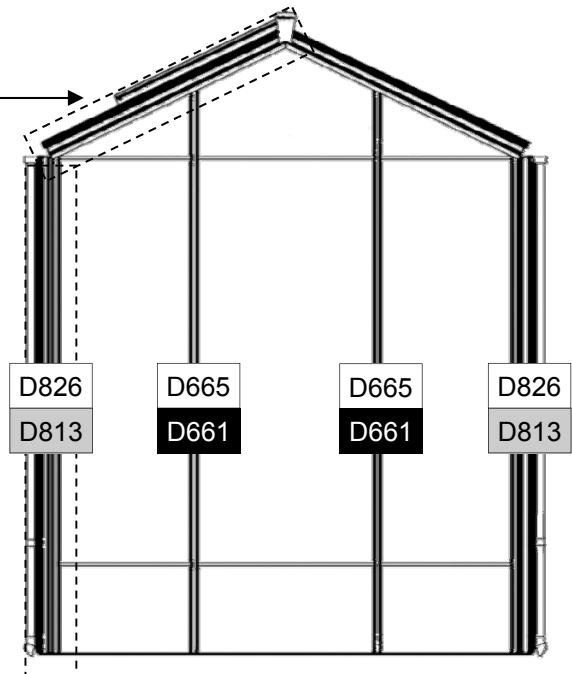
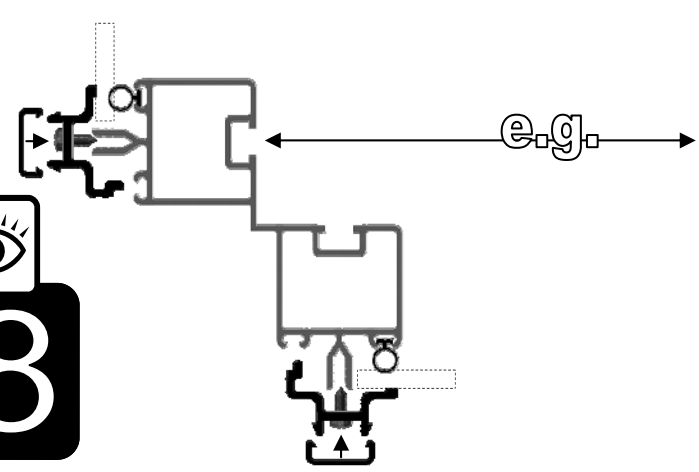
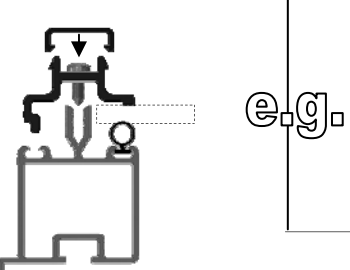
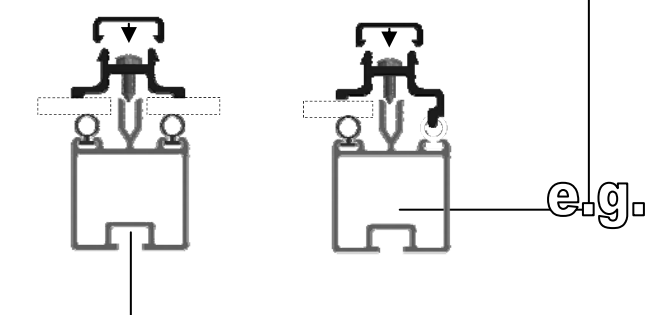
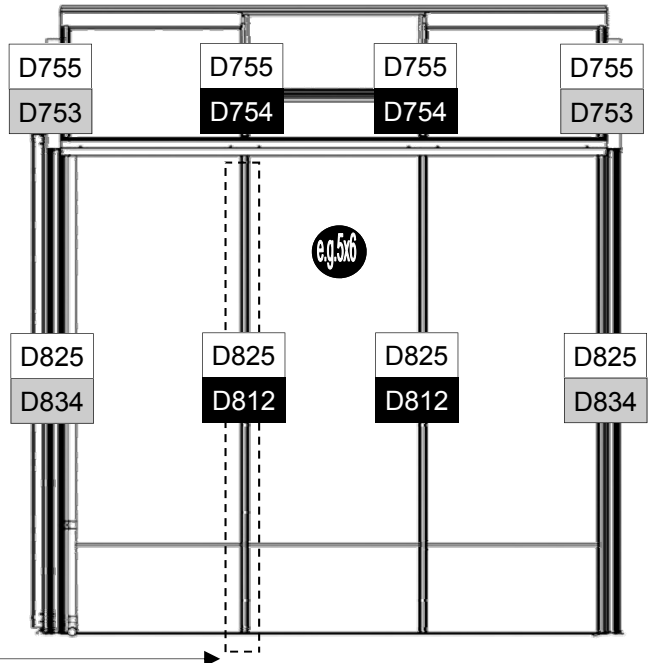
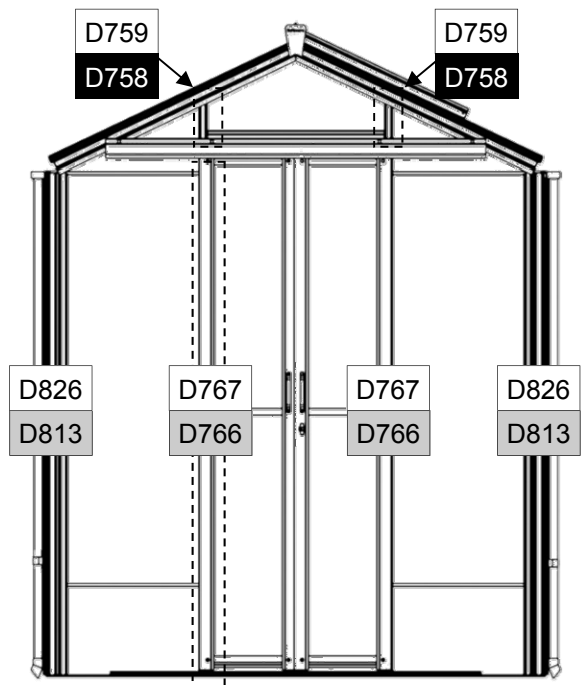
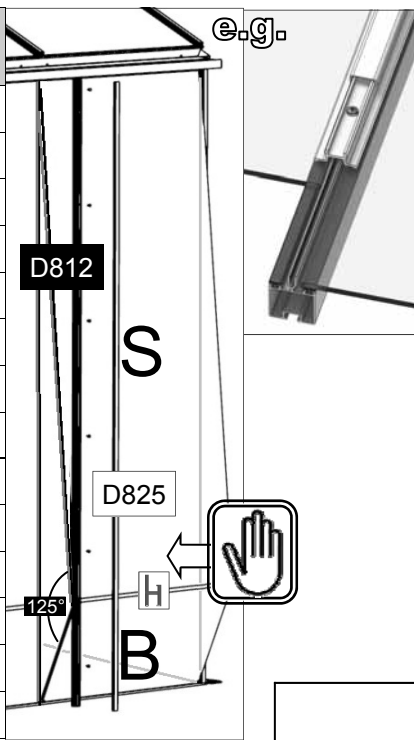
| Part No | | mm | Q |
|---------------------------|--|------|---|
| D762 + D347 lock = D764 | | 1714 | 1 |
| D763 + D156 strike = D765 | | 1714 | 1 |
| D760 | | 1714 | 1 |
| D761 | | 1714 | 1 |
| D059+D217 wheel = D060 | | 305 | 2 |
| D061 | | 305 | 2 |
| D062 | | 305 | 2 |

| Part No | | mm | Q |
|---------------|--|-------------------|----|
| D233 | | 797 | 8 |
| P053 | | N/A | 2 |
| D225 | | 610 (cut 2 x 305) | 1 |
| D840B | | 4000 | 1 |
| D263 PACK x 2 | | N/A | 14 |
| | | N/A | 14 |
| D261 PACK | | N/A | 24 |





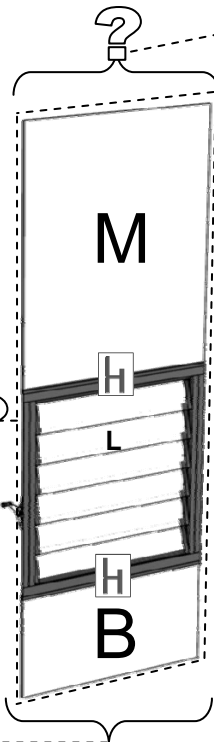
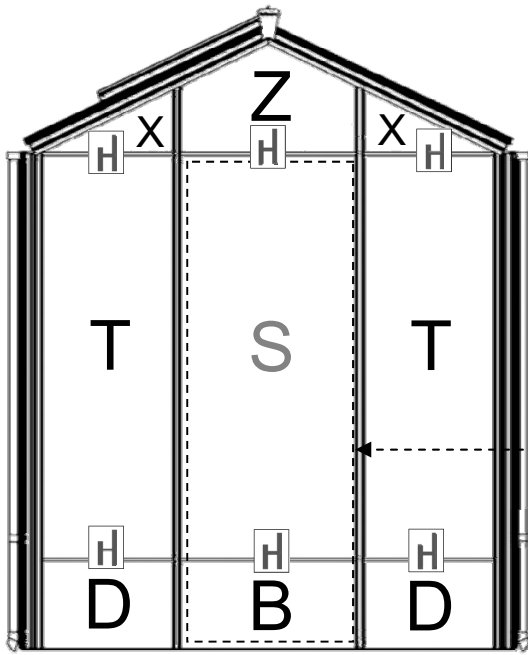
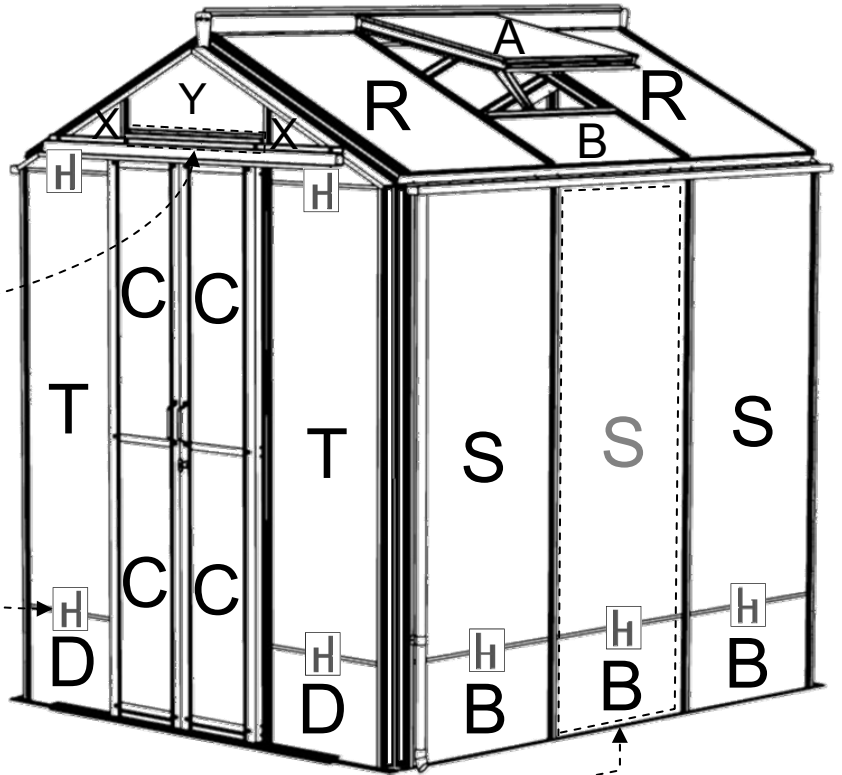
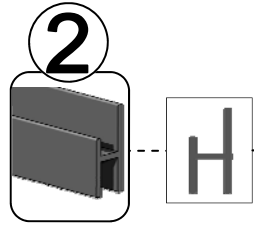
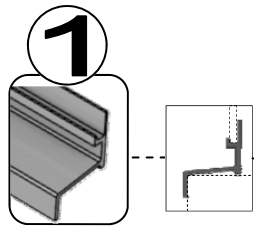
| PART No | Section | Size (mm) |
|---------|---|-----------|
| D812 | | 1660 |
| D661 |  | 1906 |
| D758 |  | 117 |
| D754 | | 892 |
| D813 |  | 1675 |
| D766 |  | 1773 |
| D834 |  | 1660 |
| D753 | | 892 |
| D755 | | 892 |
| D825 | | 1660 |
| D826 |  | 1677 |
| D665 | | 1908 |
| D767 | | 1773 |
| D759 | | 119 |





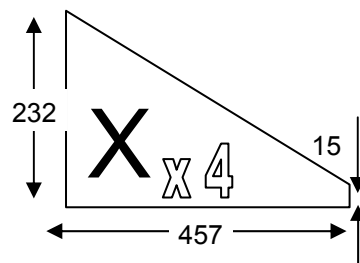
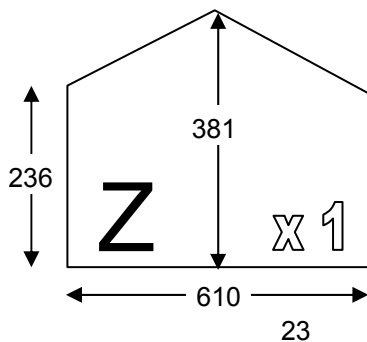
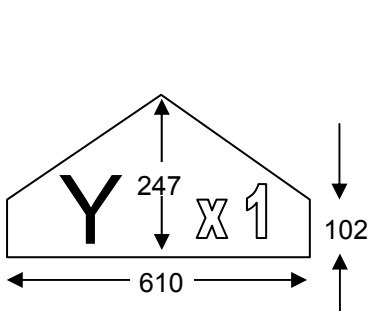
REGATTA TOUGHENED GLASS

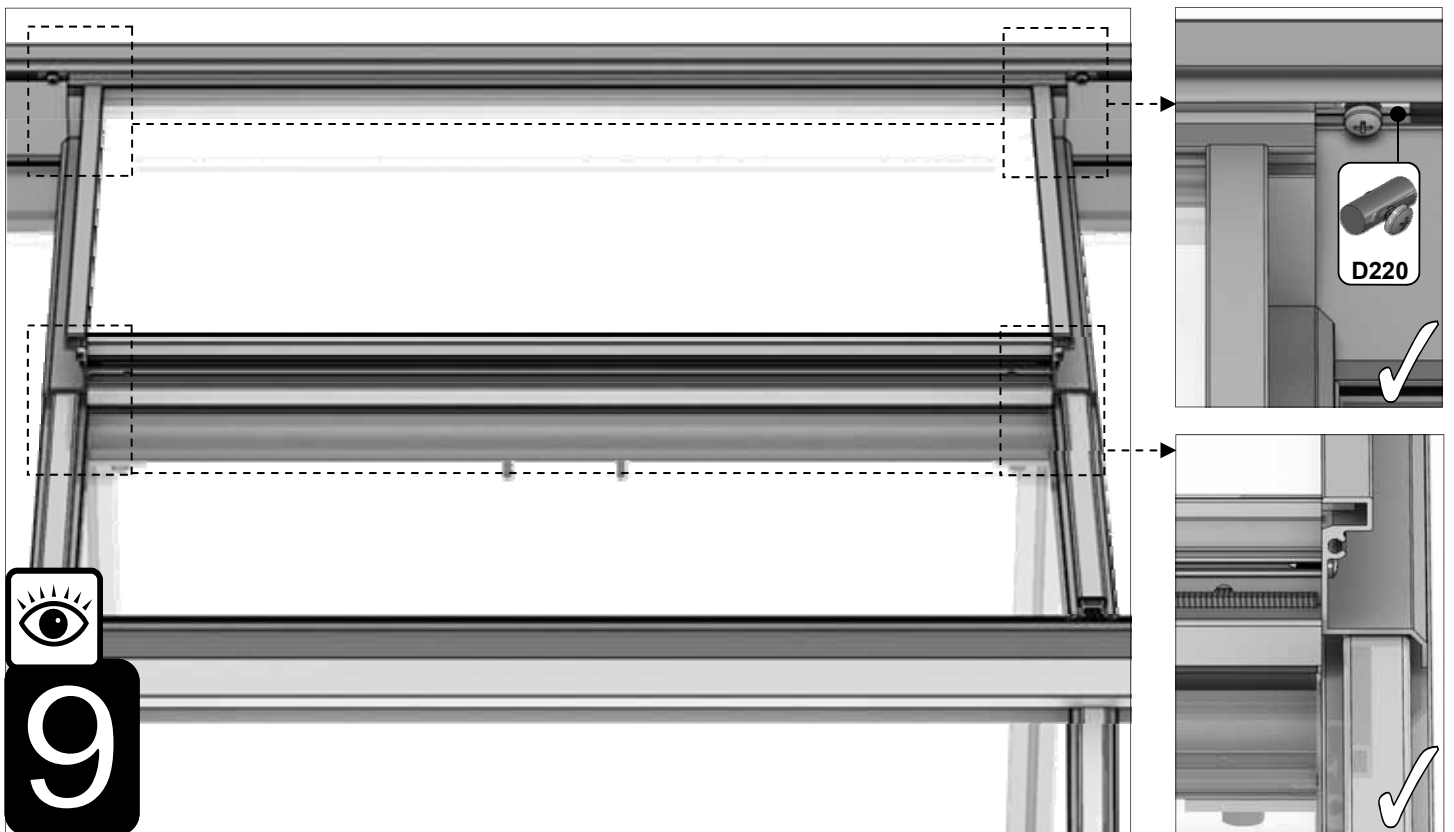
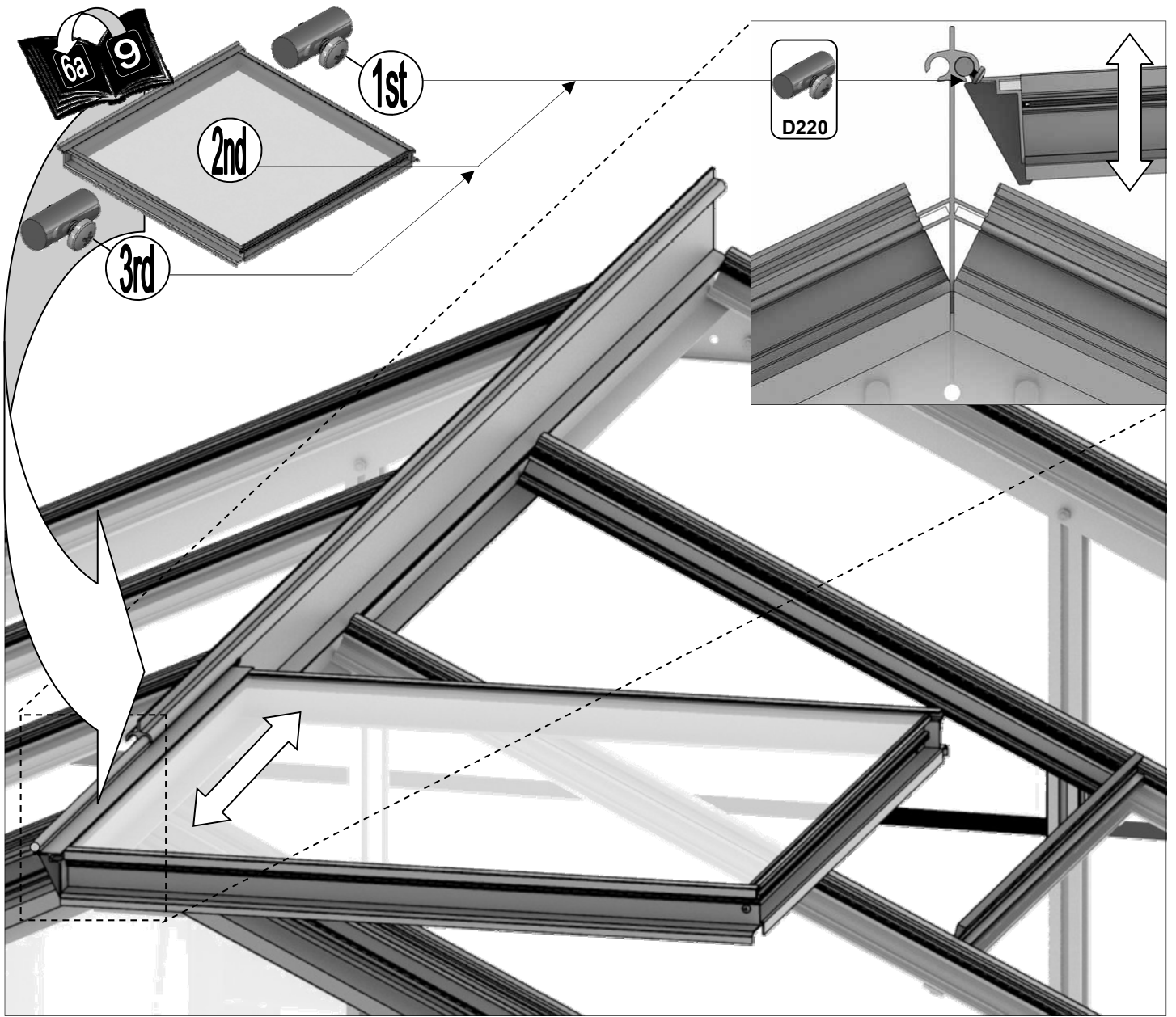
e.g. 5x6

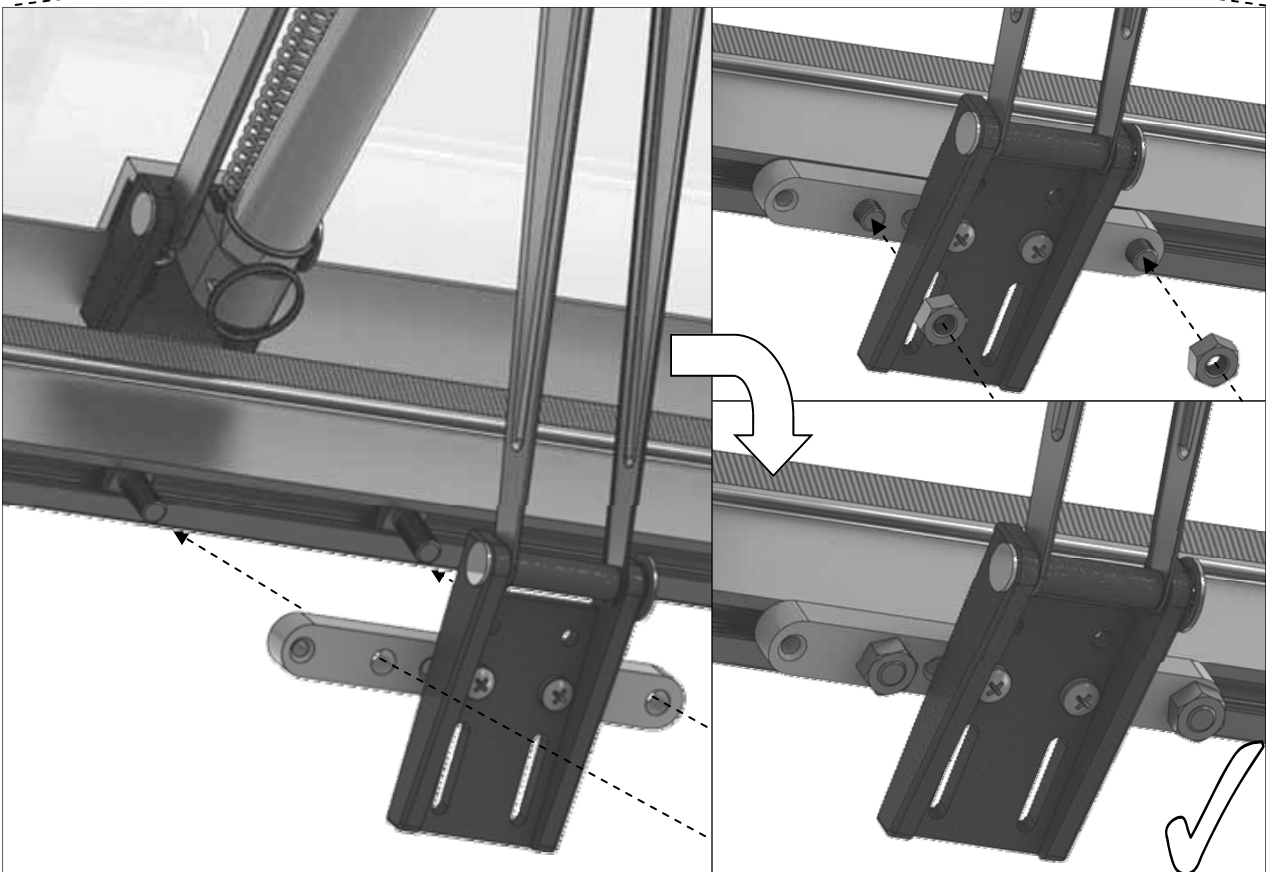
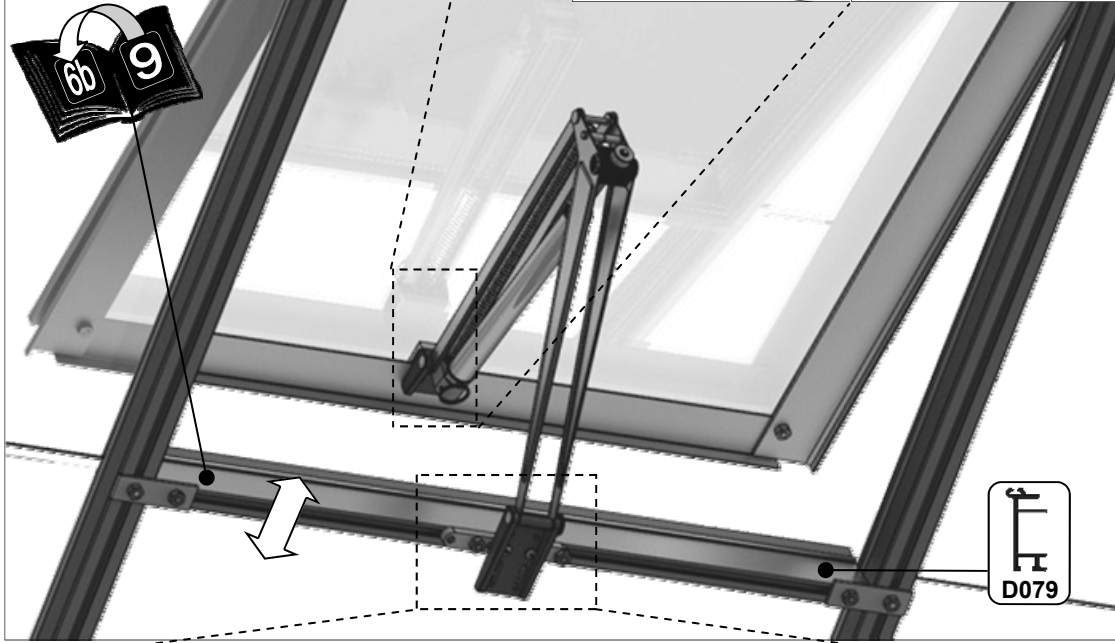
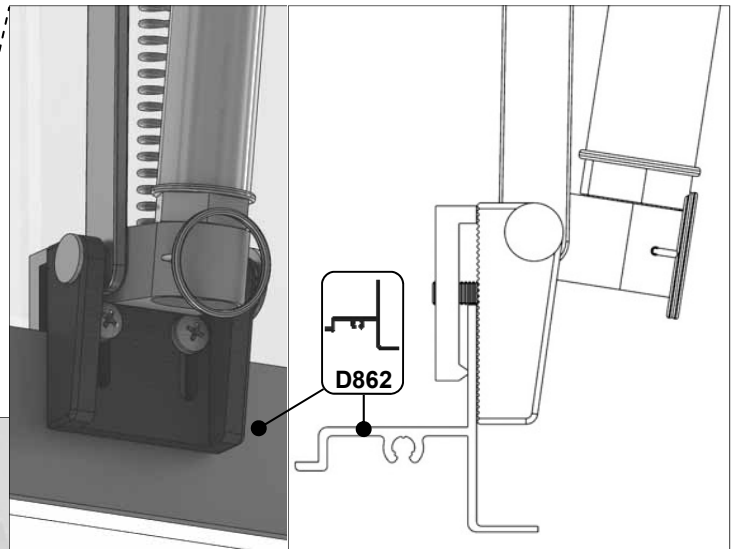
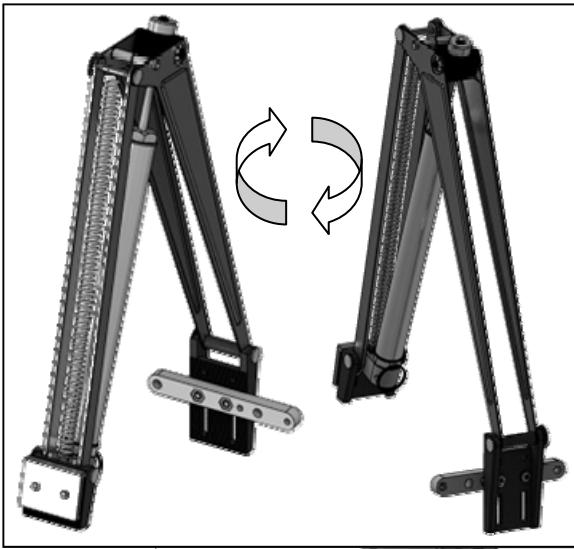


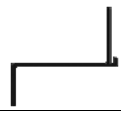


| PART No | | Size (mm) | 4' | 6' | 8' | 10' | 12' | |
|---------------|---|------------|----|----|----|-----|-----|--|
| D1206 | S | 610 X 1374 | 4 | 6 | 8 | 9 | 11 | |
| D775 | R | 610 X 900 | 3 | 5 | 6 | 7 | 8 | |
| D1208 | A | 610 X 610 | 1 | 1 | 2 | 3 | 4 | |
| D1254 | B | 610 X 305 | 6 | 8 | 11 | 14 | 17 | |
| D770 | D | 457 X 305 | | | | | 4 | |
| D771 | T | 457 X 1374 | | | | | 4 | |
| D909 | C | 247 X 812 | | | | | 4 | |
| D772 | X | ANGLE | | | | | 4 | |
| D774 | Y | APEX | | | | | 1 | |
| D773 | Z | APEX | | | | | 1 | |
| D222/B | | 590 long | | | | | 1 | |
| D101 / ROSEPS | H | 610 long | 14 | 16 | 18 | 20 | 22 | |


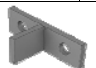

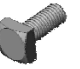
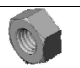
| | | | | |
|----|---------------|---|-----------|---|
| 1= | D906 | M | 610 X 762 | 1 |
| | D729 | L | 525 X 100 | 6 |
| | D101 / ROSEPS | H | 610 long | 1 |

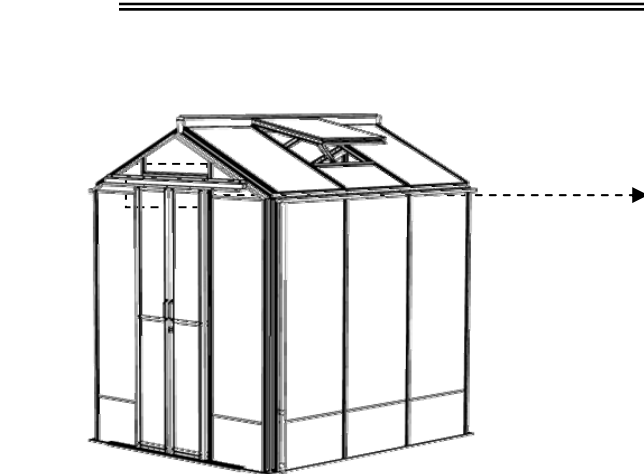
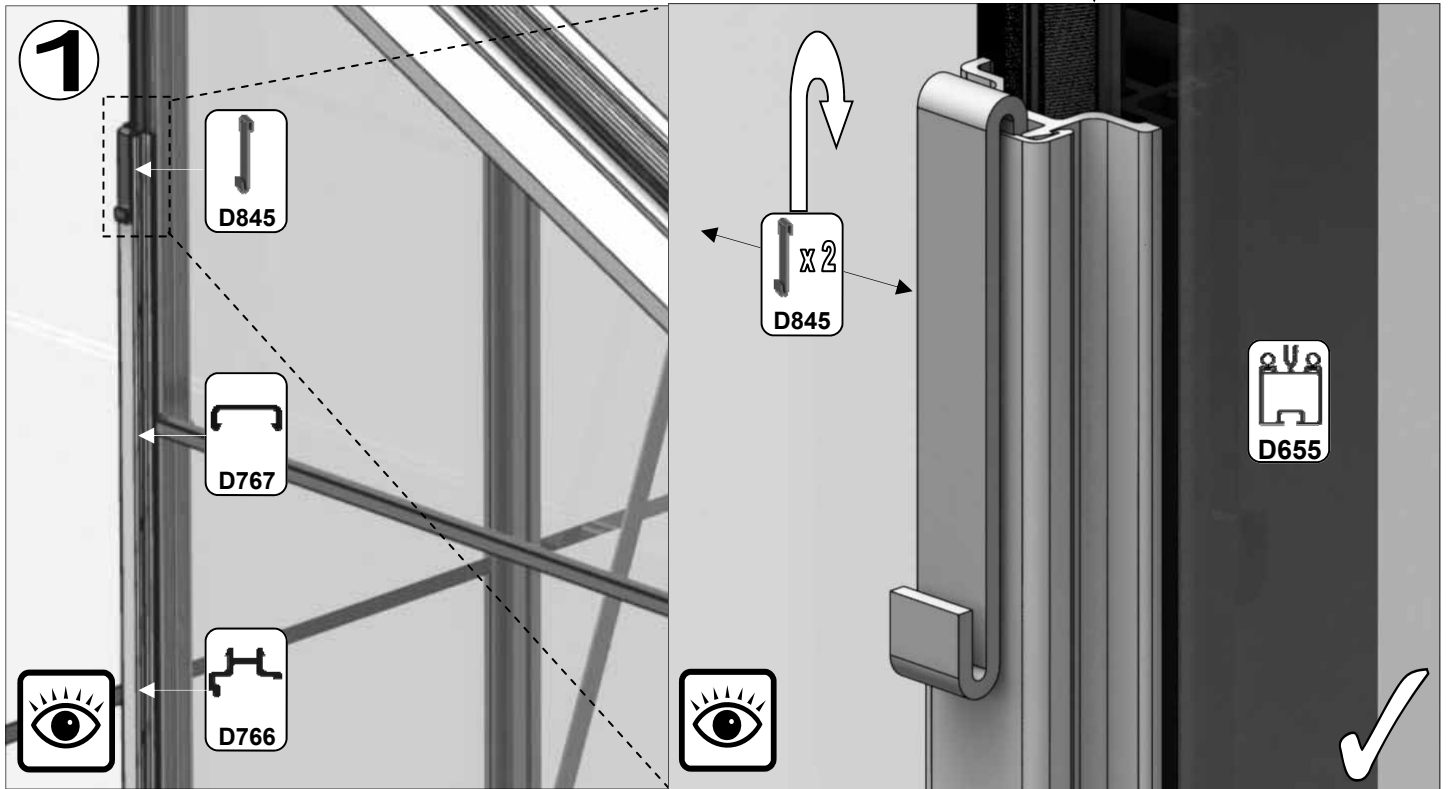
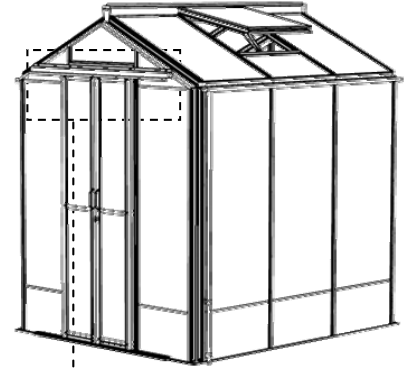




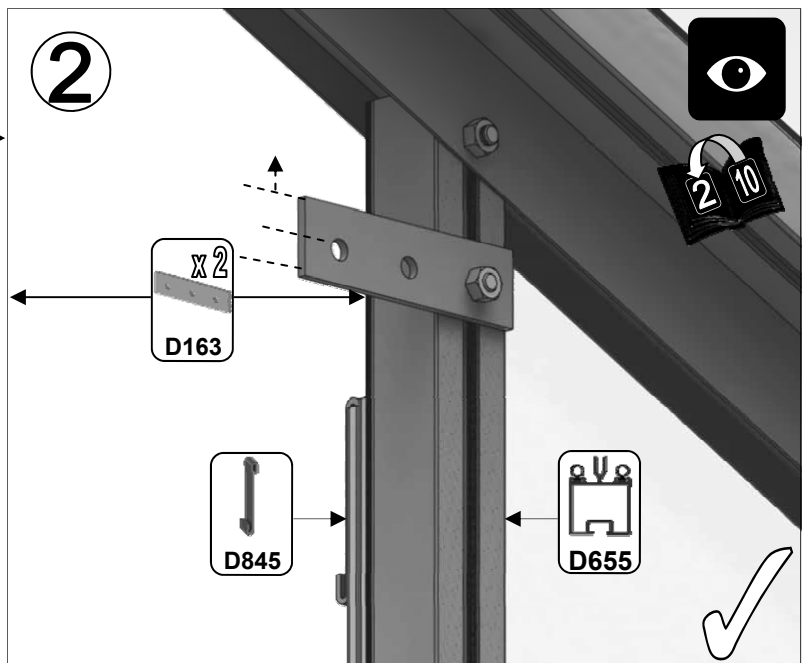


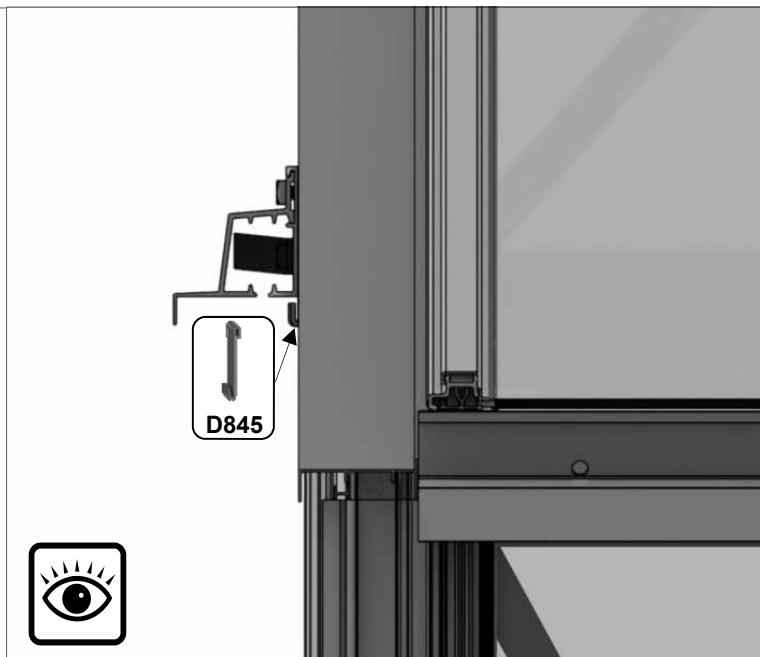
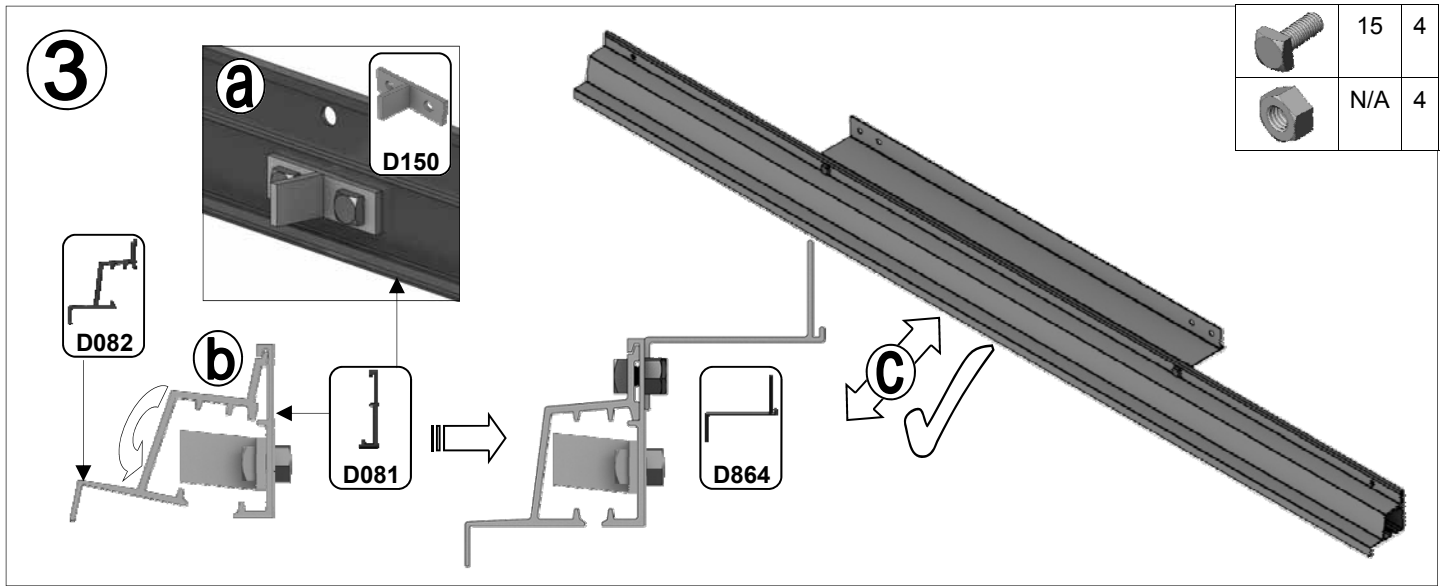
| Part No | | mm | Q |
|---------|---|------|---|
| D864 |  | 590 | 1 |
| D082 |  | 1270 | 1 |
| D081 |  | 1270 | 1 |

| Part No | | mm | Q |
|-------------|---|----|---|
| D163 |  | 90 | 2 |
| D150 |  | | 1 |
| D845 |  | | 2 |
| SY-BOLM6X15 |  | | 8 |
| SYNUTM6 |  | | 8 |


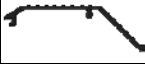


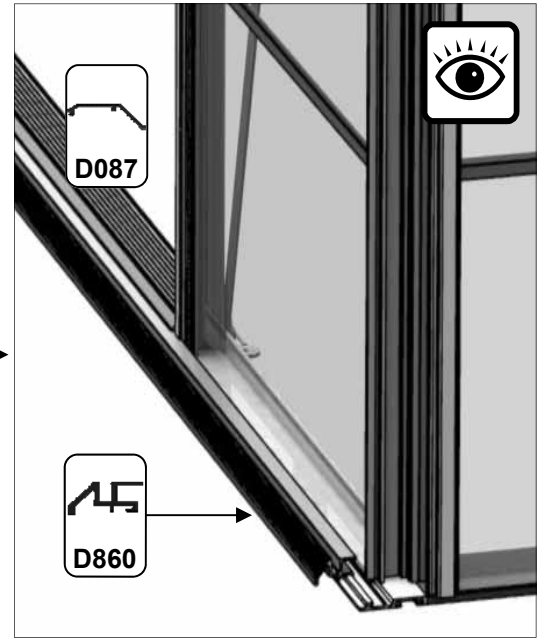
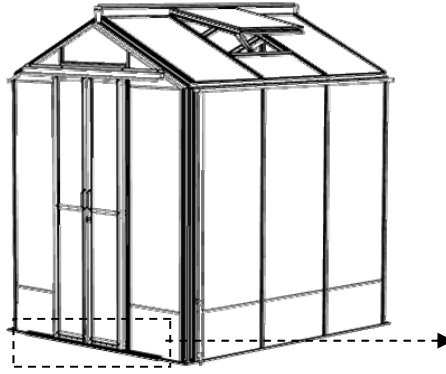
10



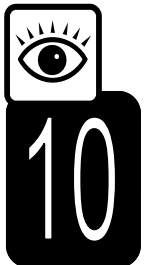
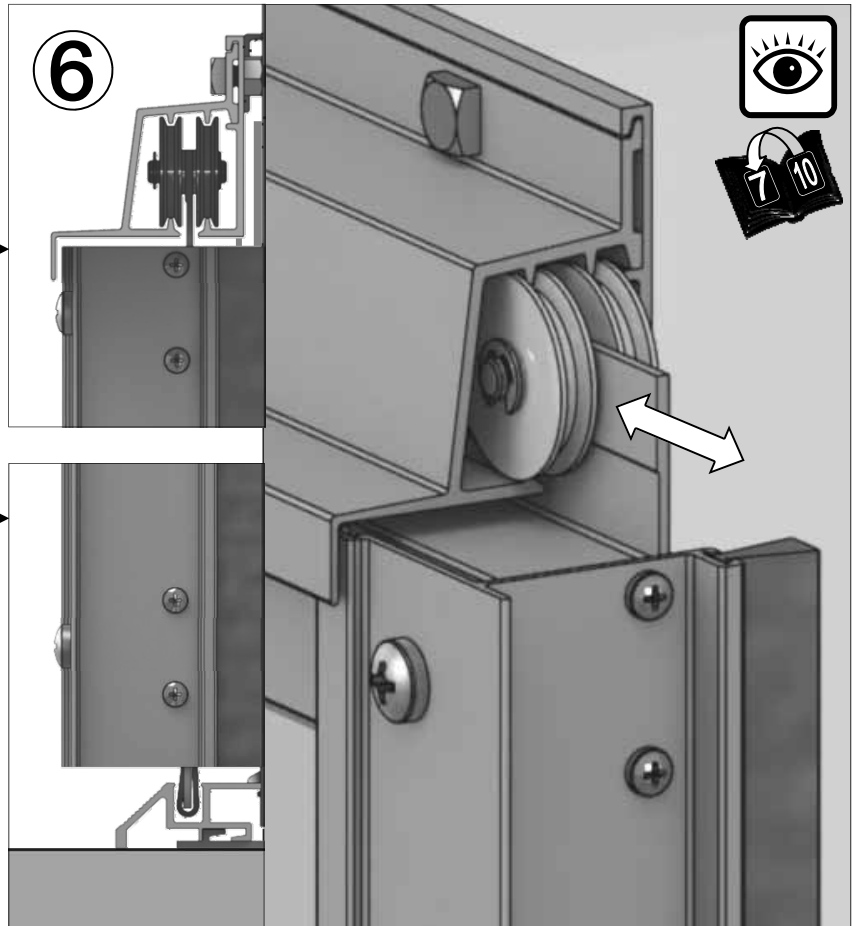
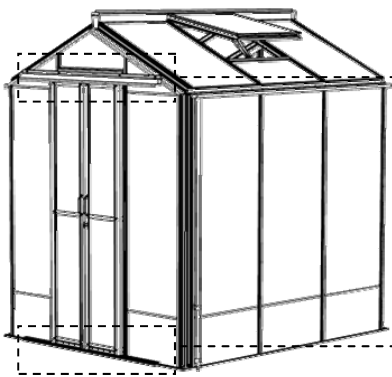
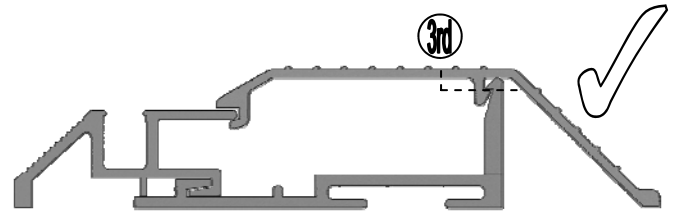
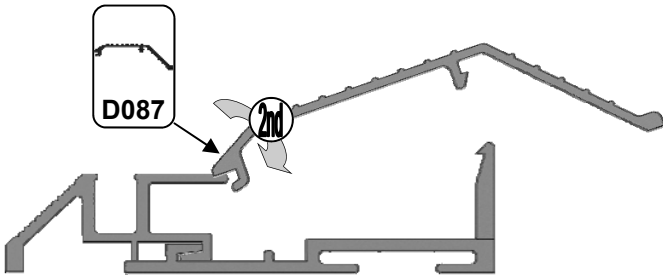
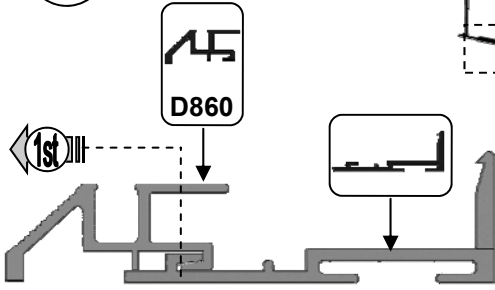



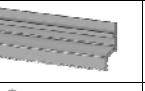


10

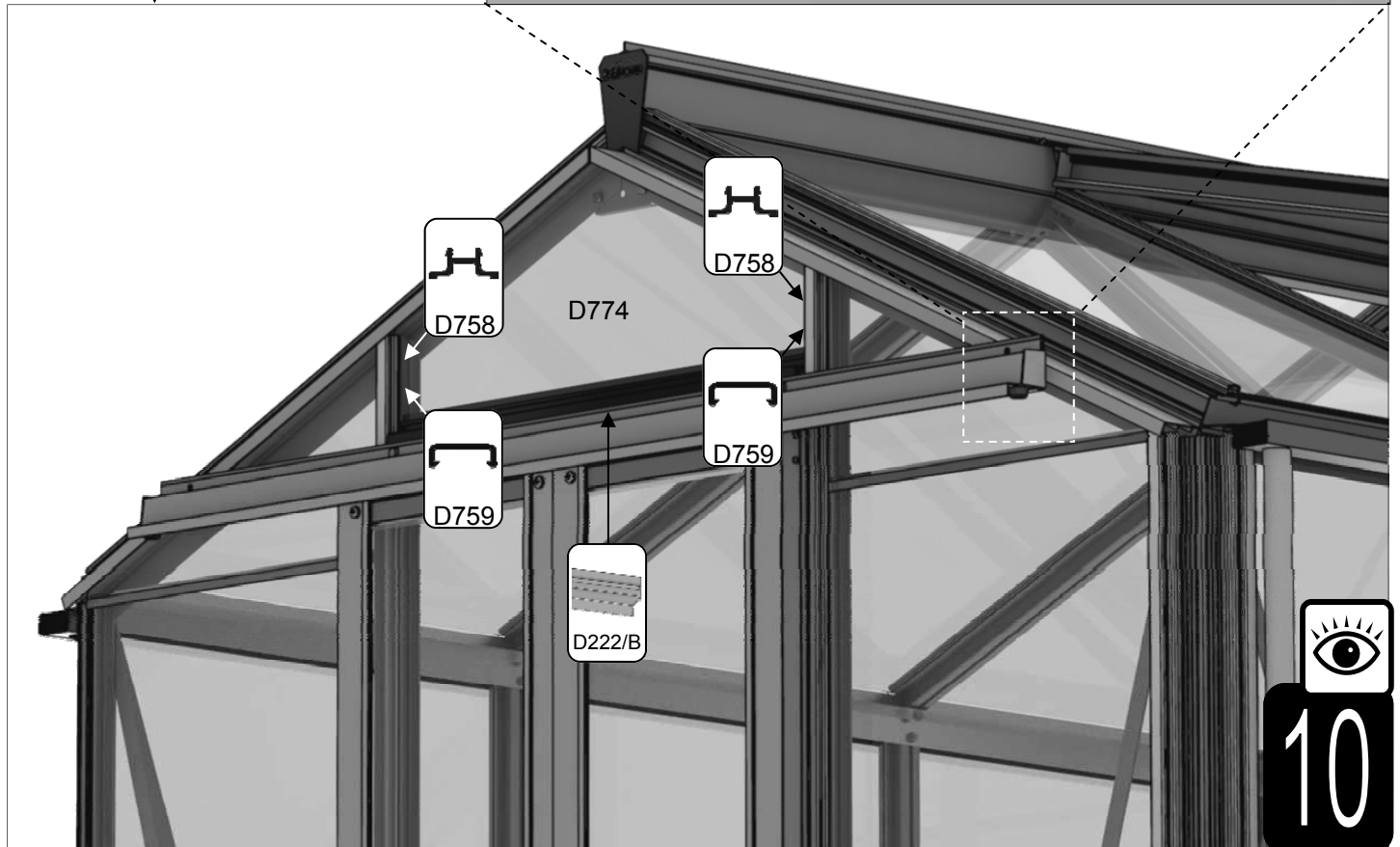
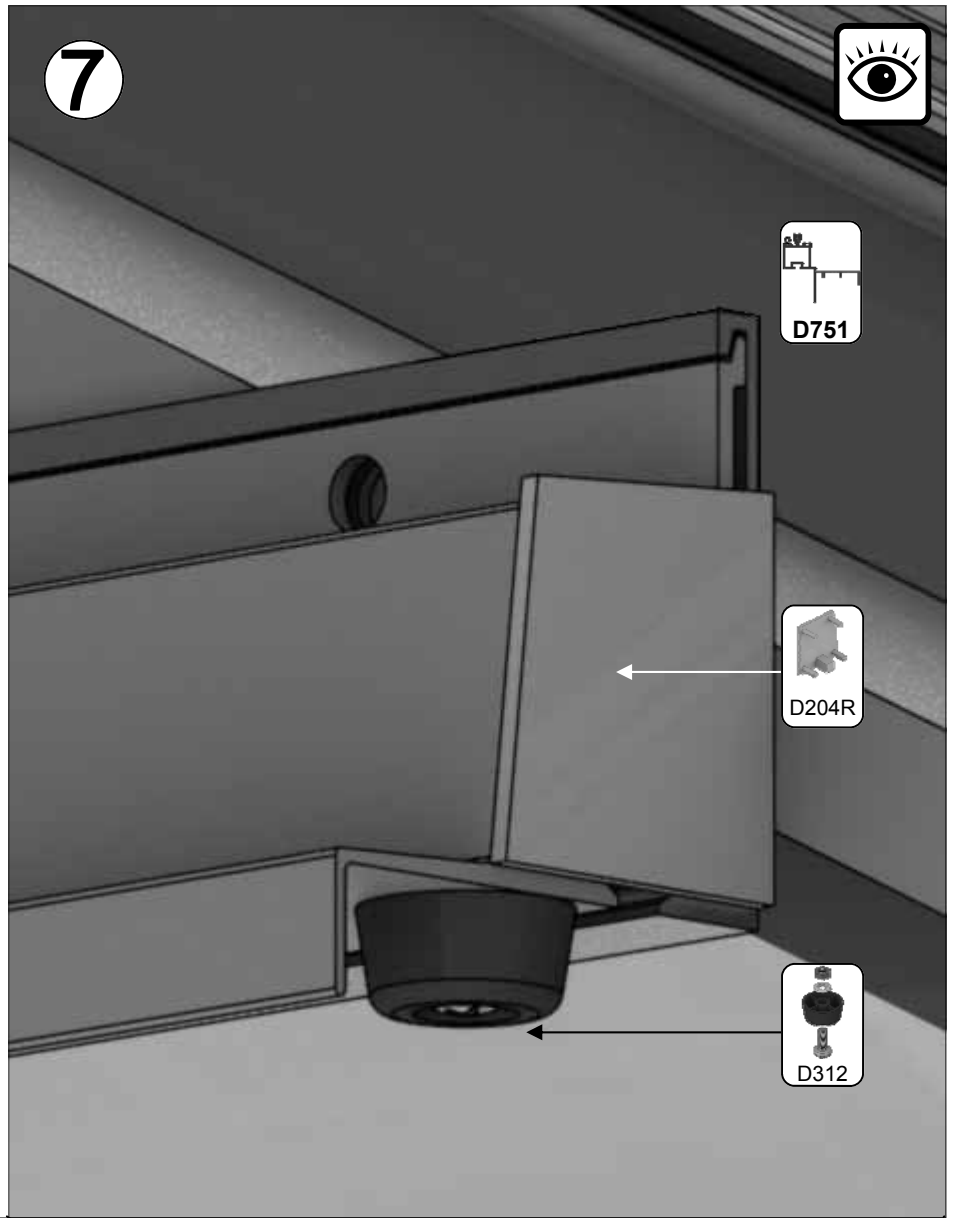
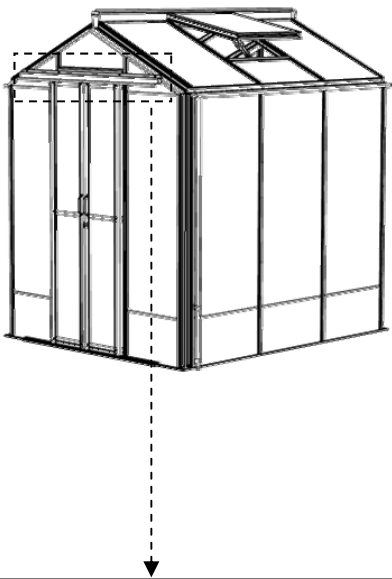
| Part No | | Quantity |
|---------|---|----------|
| D860 |  | 1 |
| D087 |  | 1 |

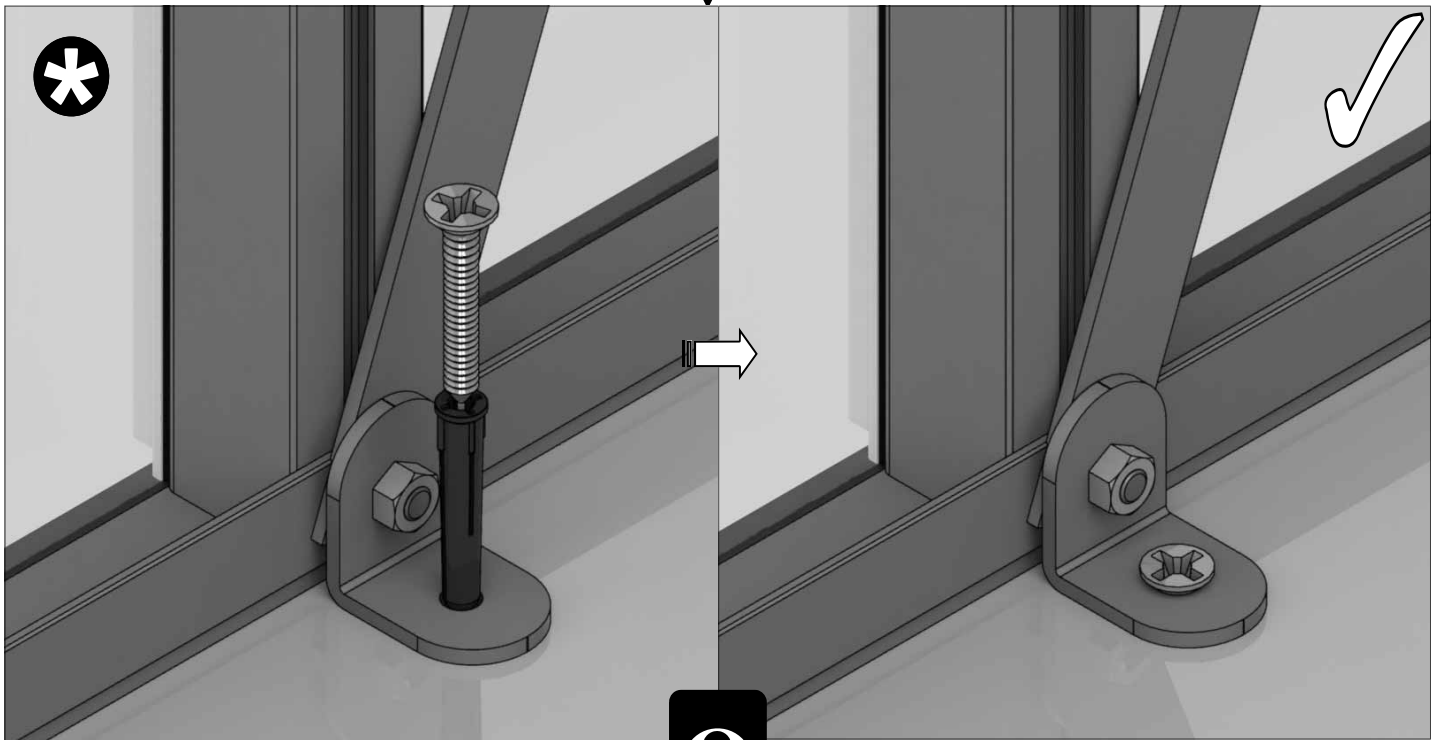
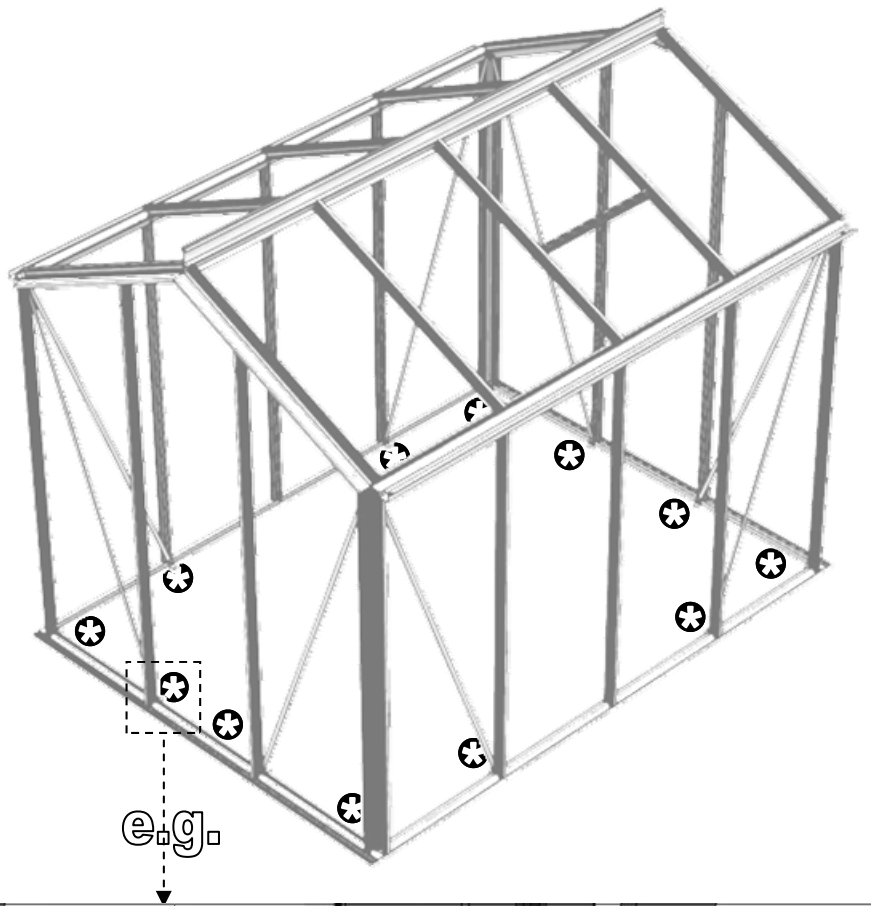
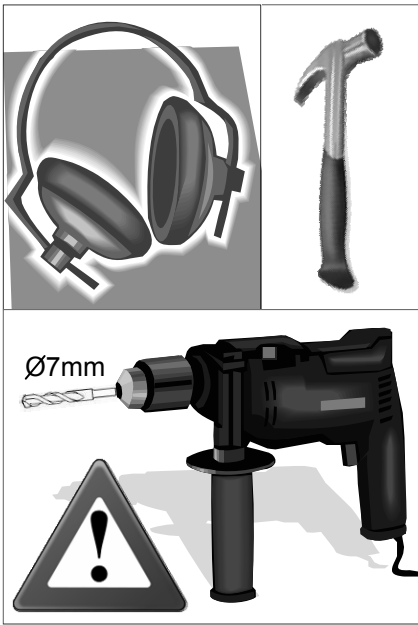


5

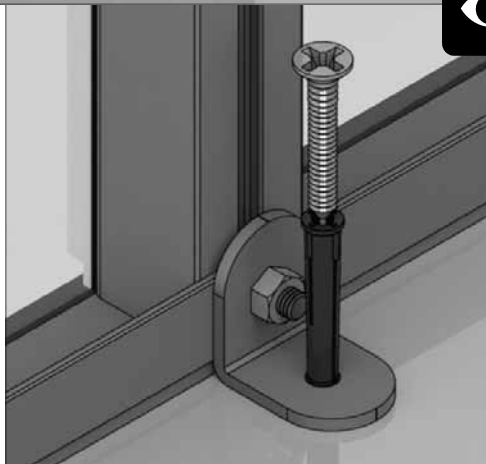


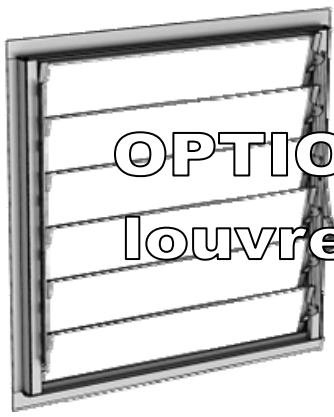
| Part No | | Quantity |
|---------|---|----------|
| D312 |  | 2 |
| D222/B |  | 590 |
| D204L/B |  | 1 |
| D204R/B |  | 1 |





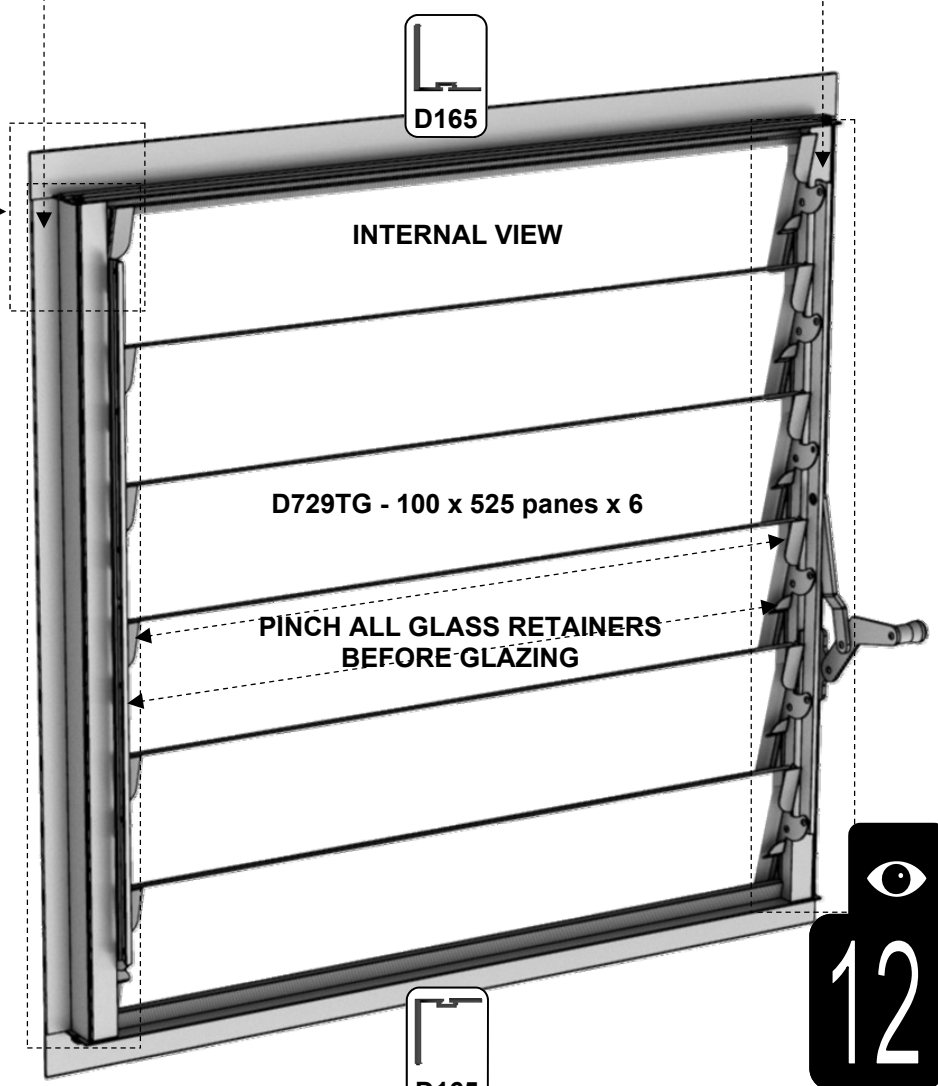
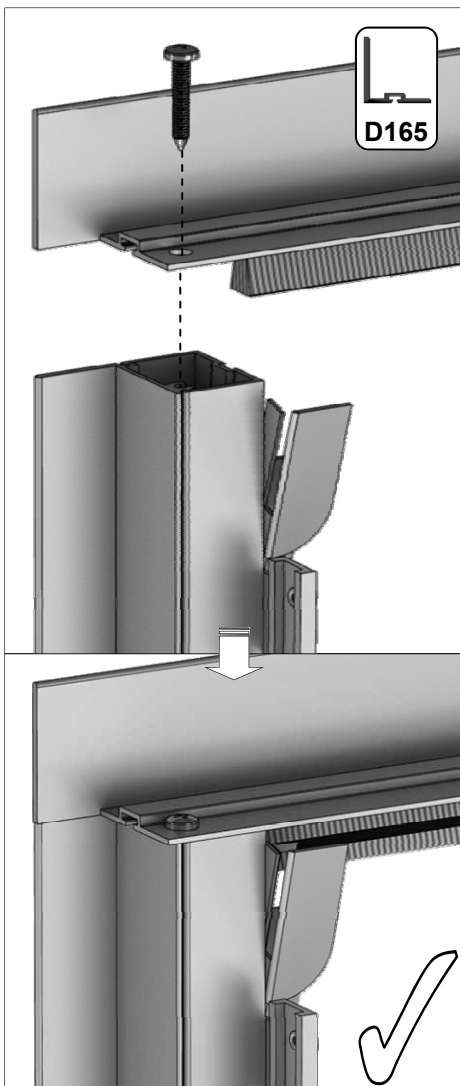
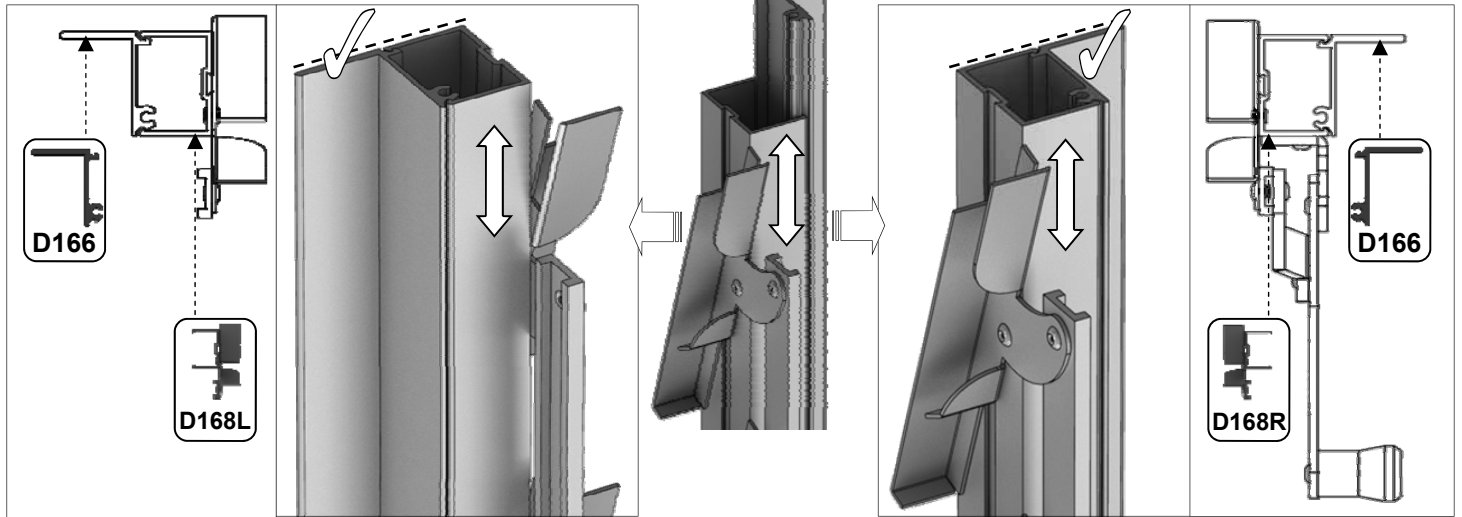
11





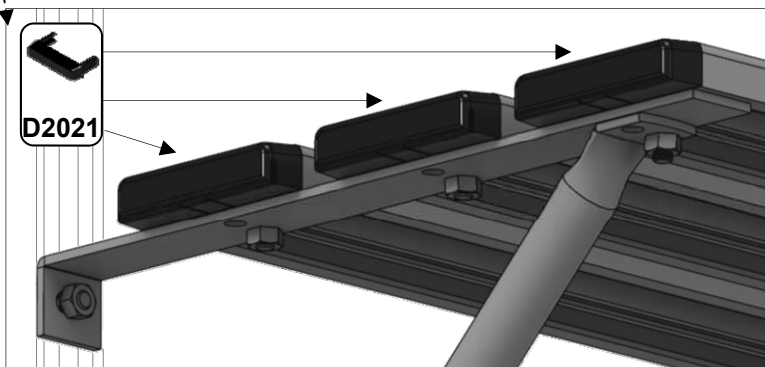
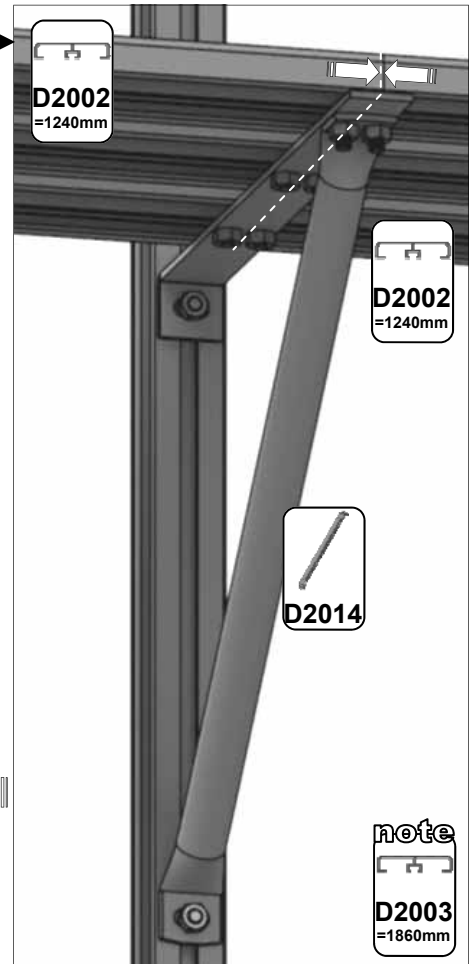
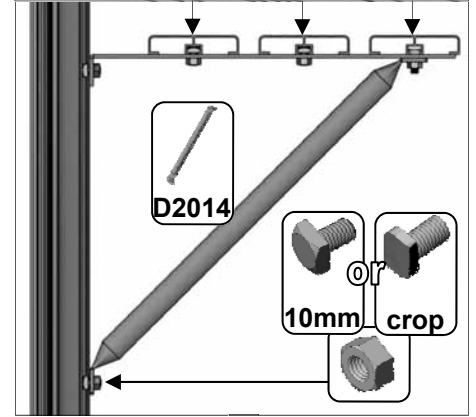
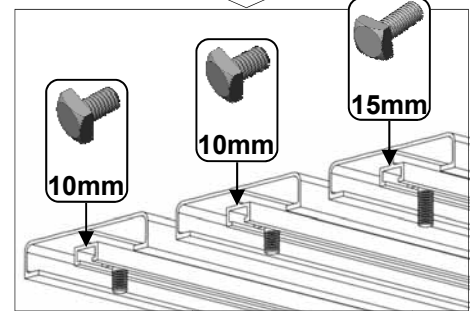
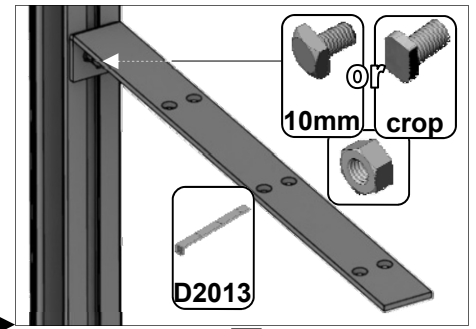
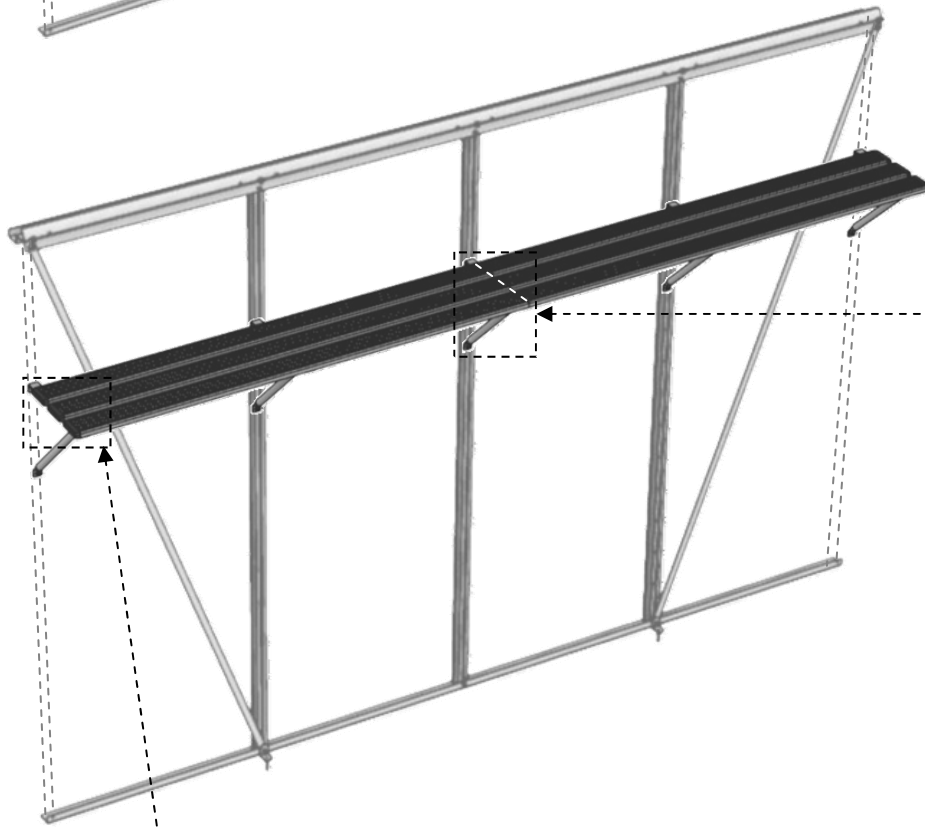
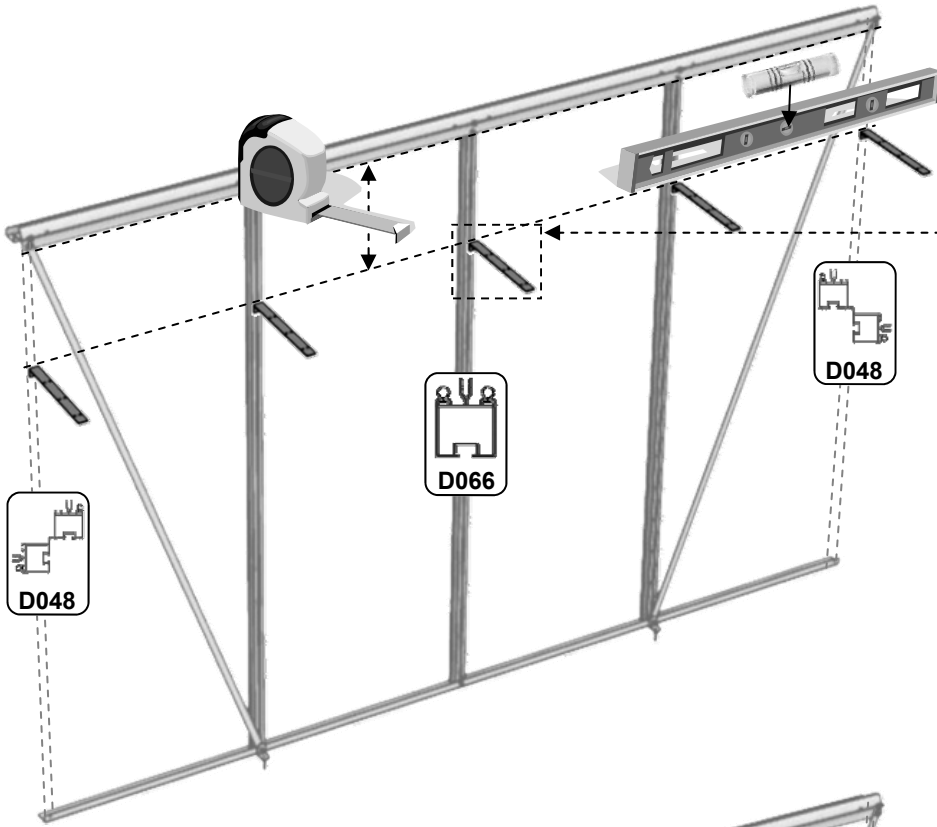
OPTIONAL
louvre = {

| Part No | | mm | Quantity |
|----------------|--|-----|----------|
| D168L | | 552 | 1 |
| D168R (handle) | | 552 | 1 |
| D165 | | 612 | 2 |
| D166 | | 552 | 2 |
| FS6013 | | 12 | 4 |



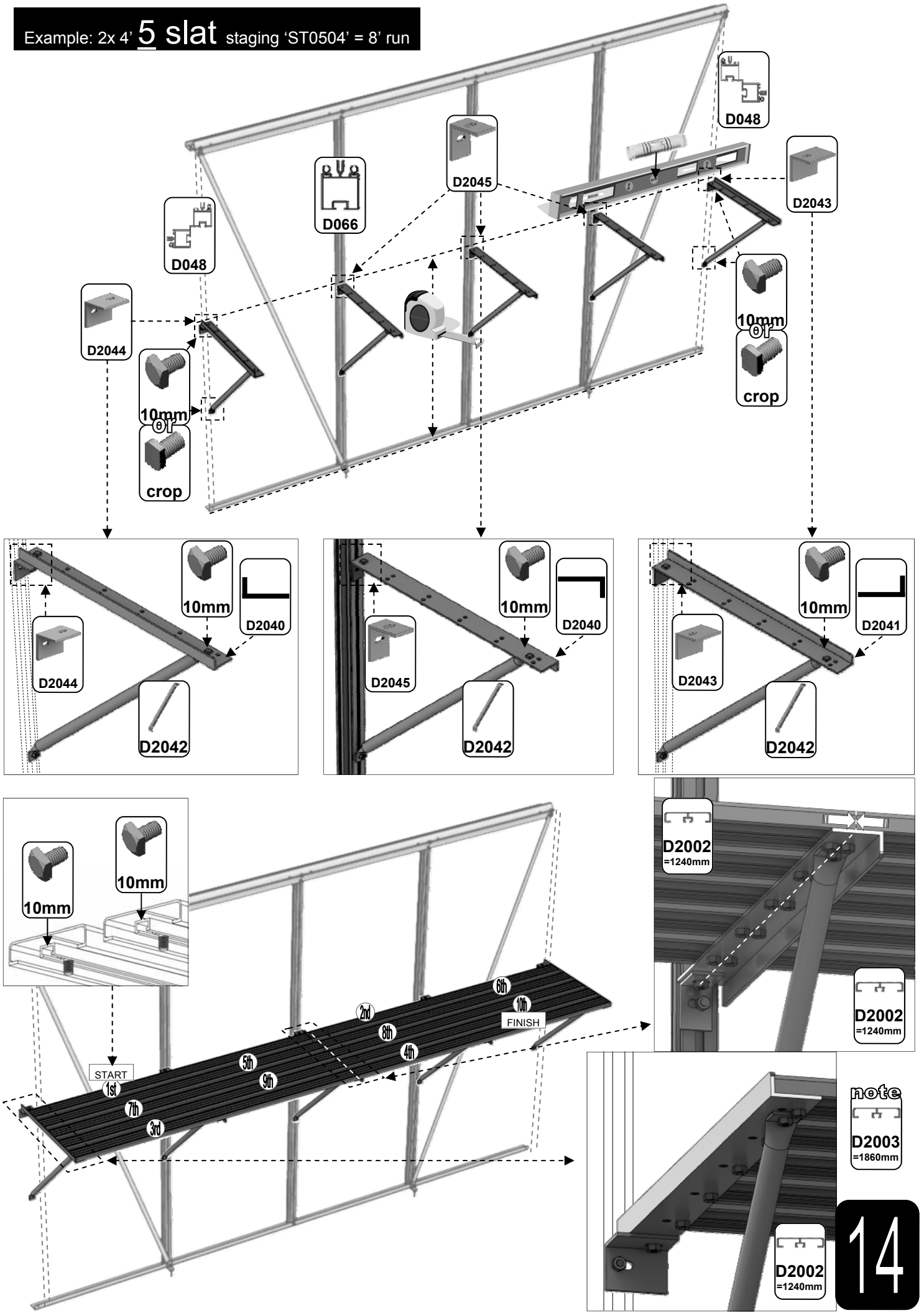
12

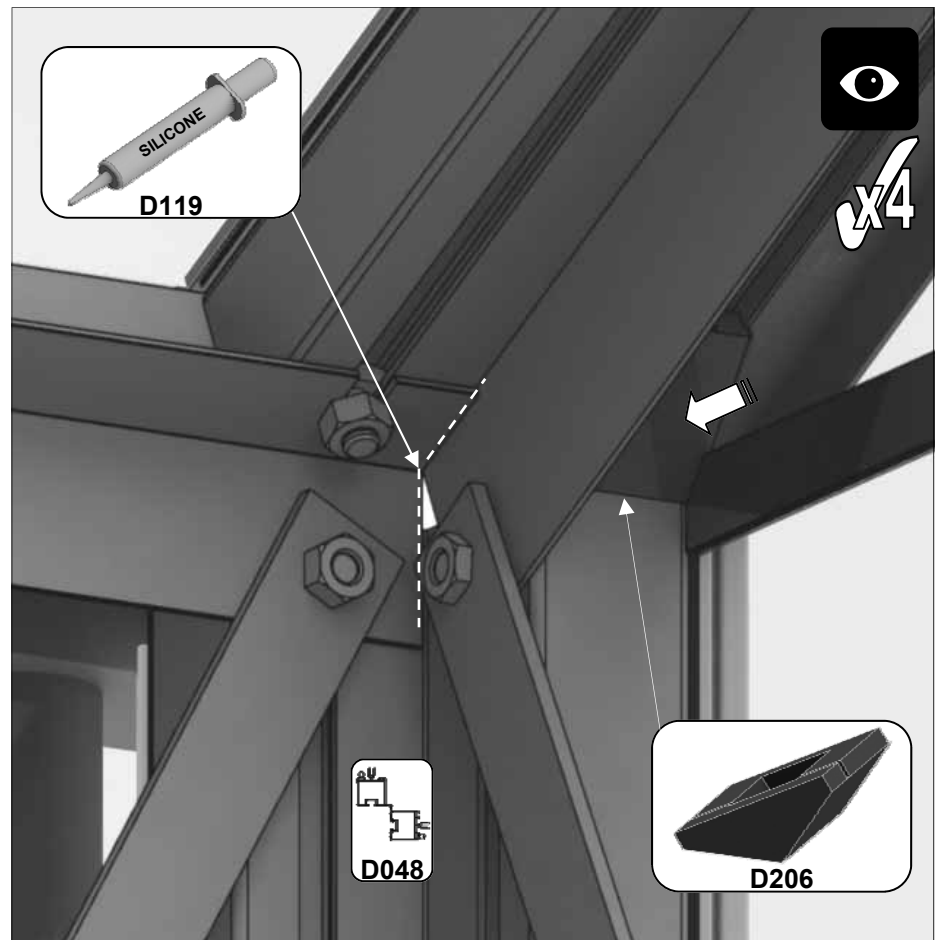
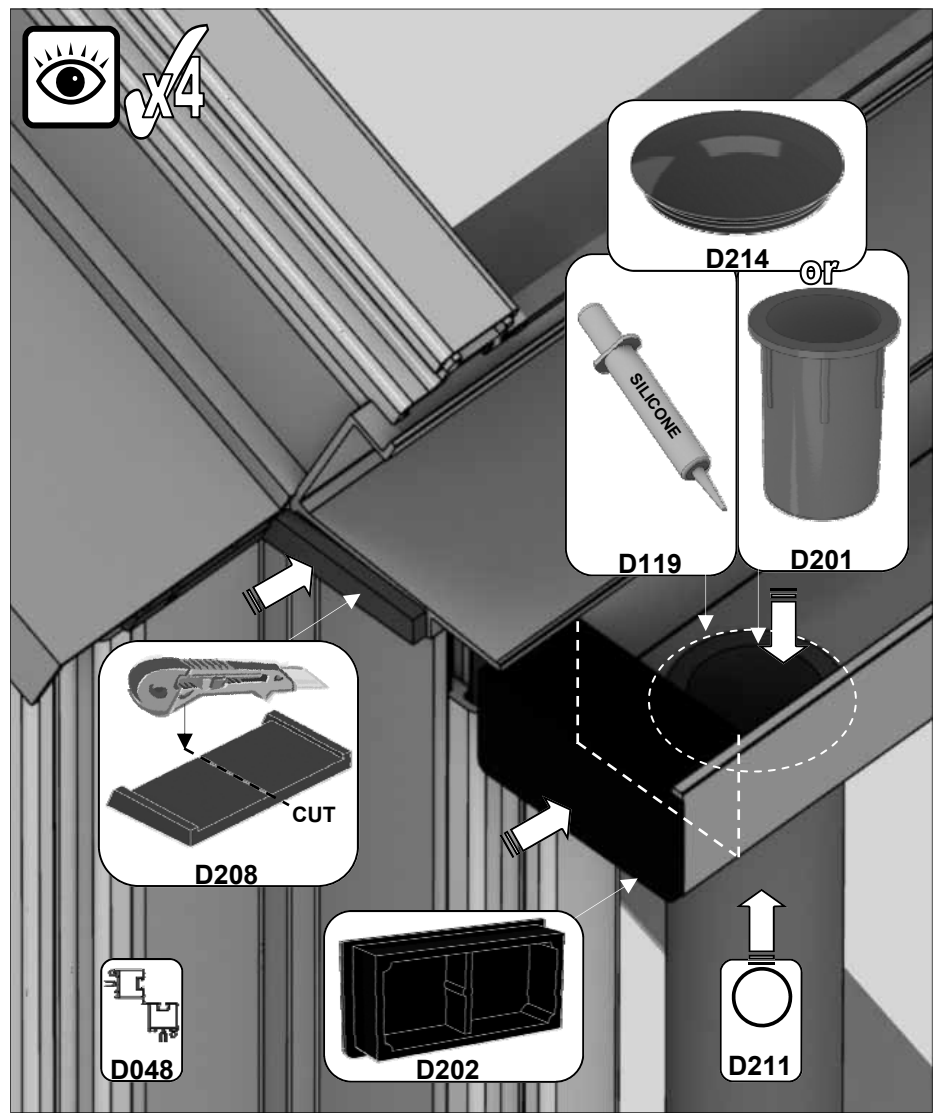
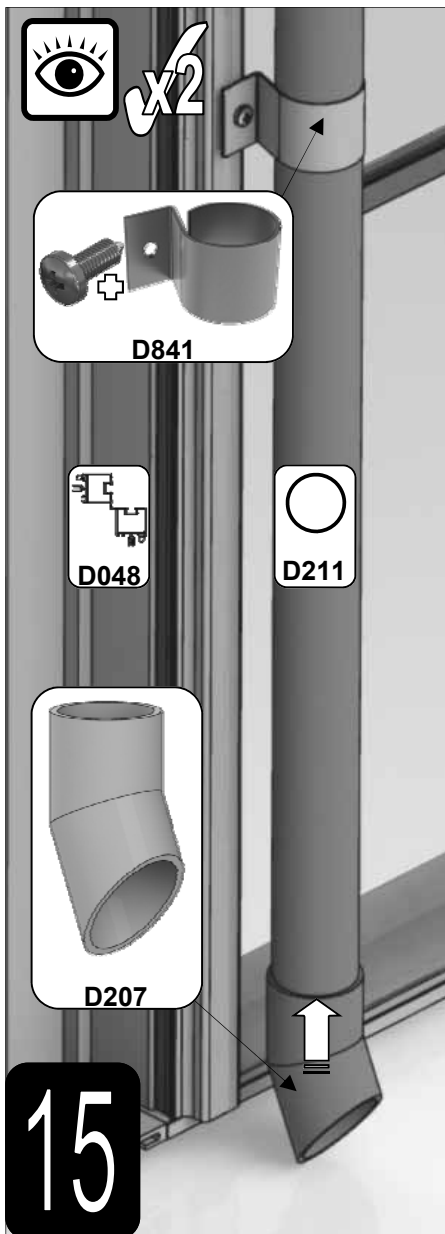
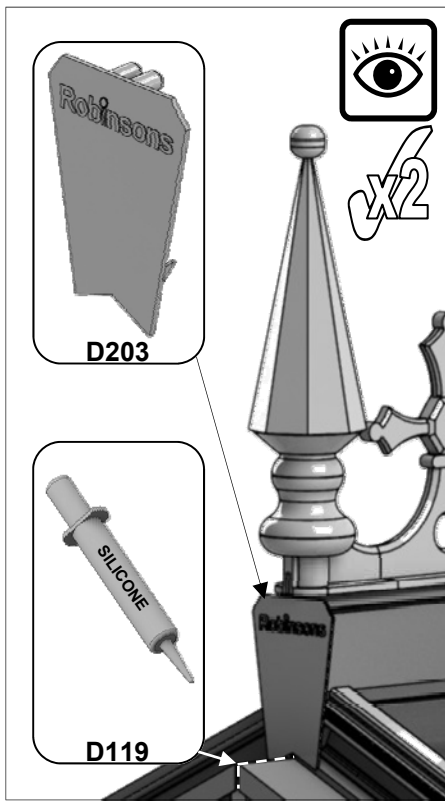
Example: 2x 4' **3** slat shelves 'ST0304' = 8' run



13

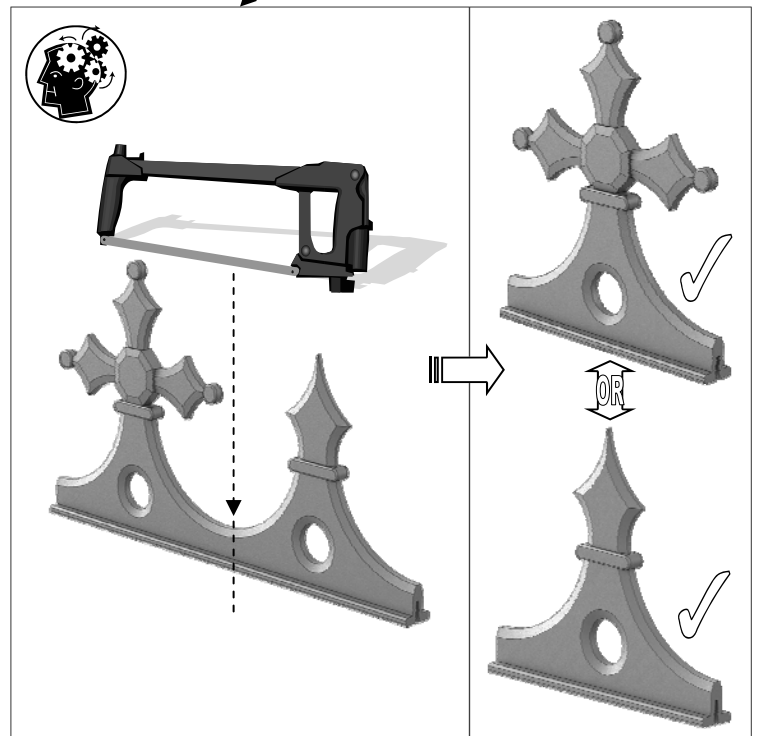
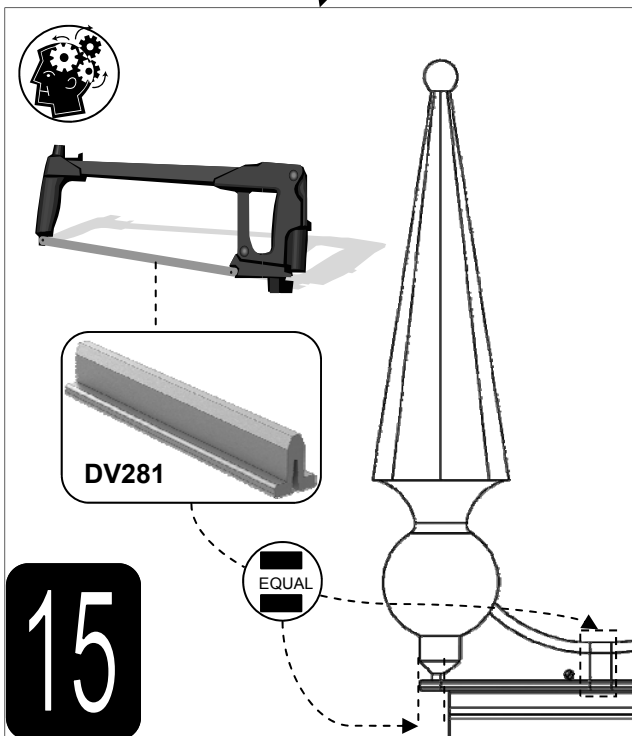
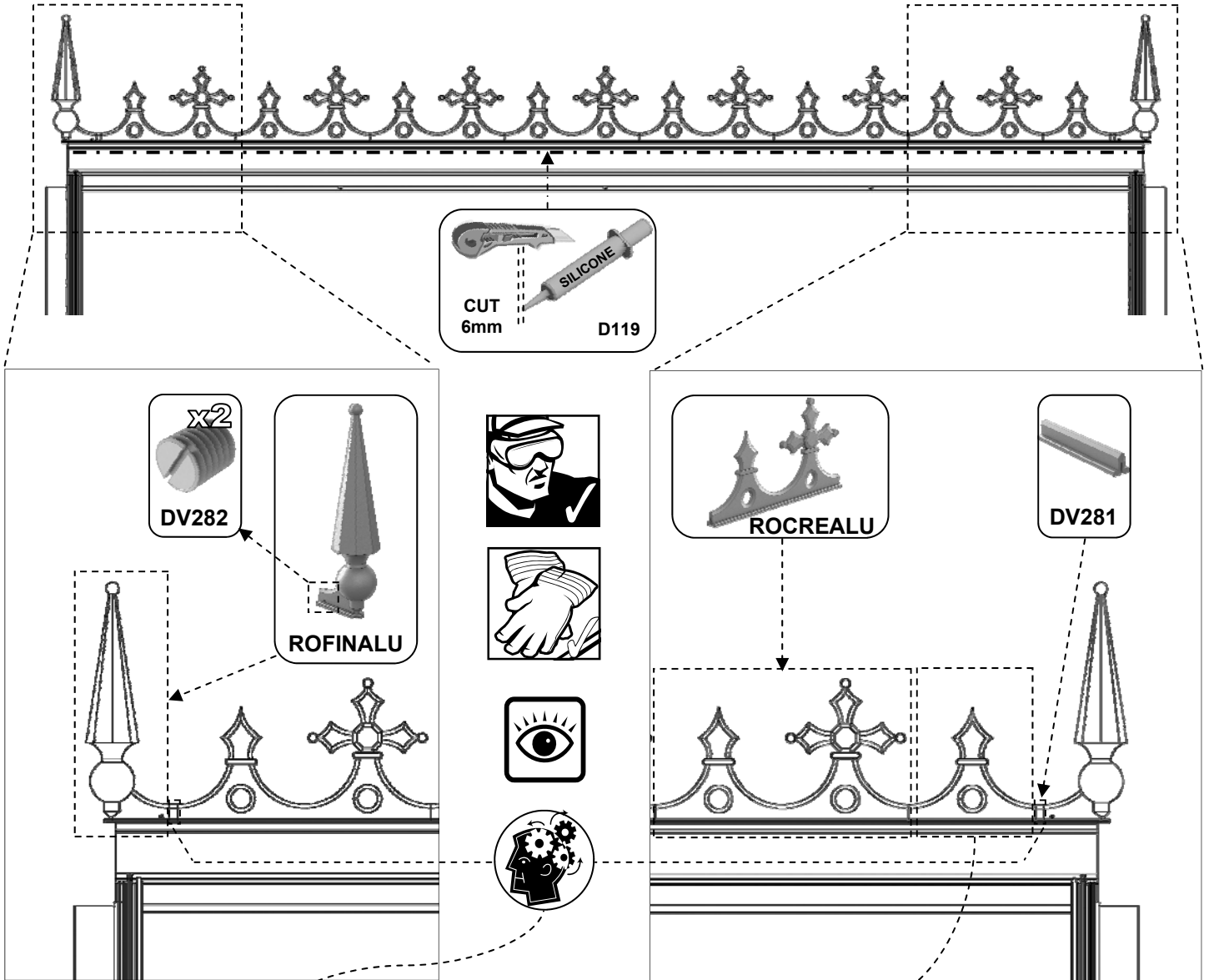
Example: 2x 4' **5 slat** staging 'ST0504' = 8' run





OPTIONAL crestring = {

- End finials need to be pinched onto ridge using 'DV282' grub screws.
- Depending on your ridge length a half crestring may need to be cut or/ and some spacer bar 'DV281' cut into two equal sections.
- Each finial and crestring piece needs to be siliconed 'D119' into place.



Please be aware that this is a multi-national manual, if you spot any errors or have any constructive comments regarding the manual please email james.spooner@greenhousepeople.co.uk and I will make the necessary amendments. Whilst the information contained in this booklet is accurate at the time of publication, changes in the course of Robinsons policy of improvement through development and design might not be indicated. We point out this fact to avoid any infringements of the Trade Descriptions Act and also to advise that Robinsons Greenhouses reserve the right to change specifications and materials without prior notice.

In addition any photographs of completed buildings would be most appreciated to add to our portfolio.

THIS GREENHOUSE BOX WAS PACKED BY:

DATE: _____



www.robinsonsgreenhouses.co.uk

To contact Robinsons Customer Services email us at sales@robinsonsgreenhouses.co.uk or call us on 01782 385 409.

Our address is Robinsons Greenhouses, Unit 19 Blythe Park, Cresswell, Stoke-on-Trent, Staffordshire, ST11 9RD